


Assembly instructions

Item #	Tightening torque	Dir.	Glue
01 - 18	7.5 ft.lb - 10 Nm	↺	Loctite™ 222
01 - 23	26 ft.lb - 35 Nm	↺	Loctite™ 222
23 - 24	26 ft.lb - 35 Nm	↻	Loctite™ 222
31 - 35	7.5 ft.lb - 10 Nm	↺	

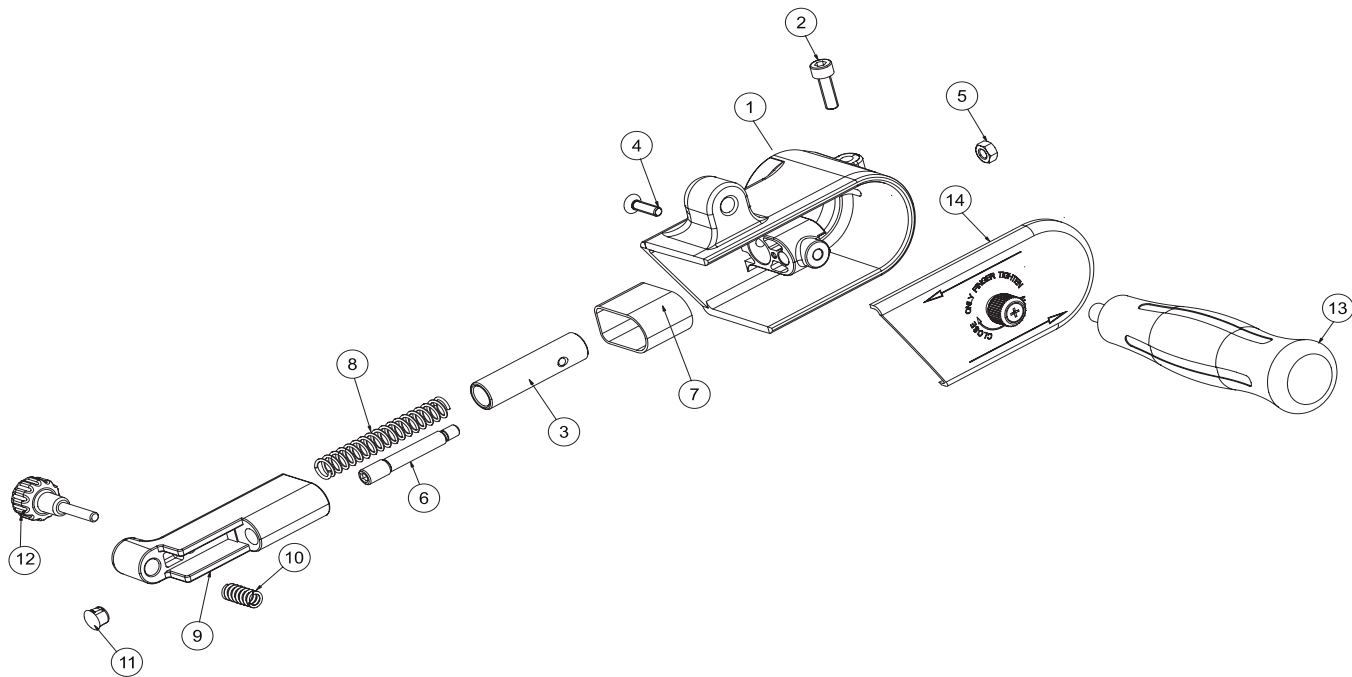
Index No	Part Ref	Description	Qty
A	6154600400	REGULATOR ASSEMBLY	
3		REGULATOR	1
4		O-RING 8.1x1.6	1
5		O-RING 8x1	1
6		SPRING RING WR9	1
7		VALVE STEM	1
8		O-RING 2x1	1
B	2050546343	VALVE KIT	
9		TIP VALVE	1
10		SPRING	1
C	2050546353	FRONT PLATE ASSEMBLY	
26		FRONT PLATE	1
27		WASHER	1
28	6157581380	BEARING 8x22x7608Z	1
29		PIN SPRING 2.5x4	1
D	2050546363	REAR PLATE ASSEMBLY	
29		PIN SPRING 2.5x4	1
30		REAR PLATE	1
32	6157580630	BEARING 5x16x5625ZZ	1
E		MOTOR ASSEMBLY	
C	2050546353	FRONT PLATE ASSEMBLY	
D	2050546363	REAR PLATE ASSEMBLY	
25	6154001500	CYLINDER	1
31	6154261210	ROTOR M8	1
33	<u>2050547783</u>	BLADES (SET OF 4)	1

Index No	Part Ref	Description	Qty
F	2050546413	SMALL PARTS KIT	
6		SPRING RING WR9	1
8		O-RING 2x1	1
12		O-RING 27x2	1
14		NEEDLE 2.5x11.8	1
17		O-RING 17x2	1
21		O-RING 10.5x1.5	1
37		EXTERNAL RING	1
38		SPACER	1
39		O-RING 15.6x1.78	1
G	2050546403	TUNE-UP KIT CP3000, CP3030, CP5080	
2		SEAL	1
16		FELT	1
33	<u>2050547783</u>	BLADES (SET OF 4)	1
22		PAPER GASKET	1
1	2050547773	HANDLE ASSY (incl. Part # 15)	1
11	6155740660	AIR CONTROL RING	1
13	2050541493	SAFETY LEVER	1
15		REAR CAP	1
18	2050542533	INLET ASSY	1
19	6153212410	INSERT (incl. Part # 20)	1
20		RUBBER GASKET	1
23	6157301890	NUT	1
24	6155653210	MOTOR HOUSING	1
34	6156452300	SPACER	1
35	2050561413	WHEEL	1
36	2050549823	COVER	1
	6158727980	WARNING STICKER	1

	6159948750	Safety instructions
	2050549333	Operator's manual

Included accessories

Index No	Part Ref	Description	Qty
	CA145203	4MM HEX. WRENCH	1



H	2050547953	ARM SUPPORT WITH SIDE HANDLE	1
1		GUARD SUPPORT	1
3		GUIDE ROD	1
9		ARM	1
13	2050545883	SIDE HANDLE	1
14	2050545823	COVER ASSEMBLY	1
H1	2050546323	SMALL PARTS KIT	
2		SCREW	1
4		SCREW	1
5		HEX NUT	1
6		GUIDE POST	1
7		DUST COVER	1
8		SPRING	1
10		SPRING	1
11		PLUG	1
12		KNOB	1



I	2050545483	CONTACT ARM 1/2"X18"	1
	2050546483	WHEEL ASSY 1/2"	1
	2050546283	PLATTEN PAD 12,5X54 (set of 10)	1

use Loctite™ 411 or equivalent