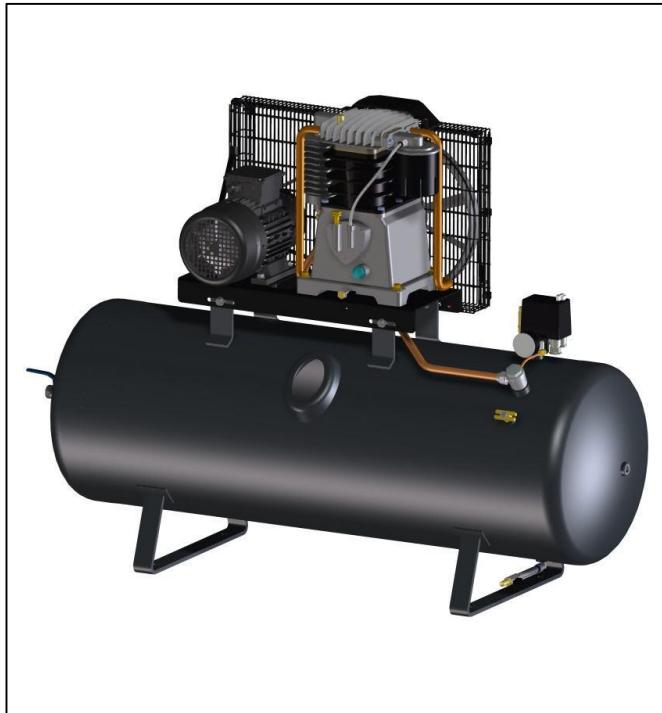


# UNM STL 580-15-270 H825000

## Product Information Sheet



Technical data	H825000
Suction capacity	580 l/min
Eff. Delivery quantity	470 l/min
Start-up- / switch-off pressure	13/15 bar
Cylinder / Stages	2/2
Tank volume	270 l
Voltage	400 Volt/50 Hz
Drive power	4.0 kW
Speed	915 min <sup>-1</sup>
Noise	78 dB(A)
Dimensions (WxDxH)	1620 x 515 x 1205 mm
Air outlet	¾"
Weight	188 kg

## Product Description

- Stationary compressor
- Compressor for work up to 15 bar
- Smooth running belt driven 2-cylinder unit with 2-stage compression
- Suitable for many jobs in the professional field
- Applications:  
Expansion of compressed air systems,  
Increase reliability
- Highest quality of installed components

# UNM STL 580-15-270 H825000

Product Information Sheet



## Quiet running and optimal cooling

due to the new wedge-driven compressor unit with optimal cooling air flow and improved delivery performance

## Reduced noise level

Less noise from new unit

## Compressor with low speed of rotation

Reduced vibrations preserve the compressor components

## Long service life

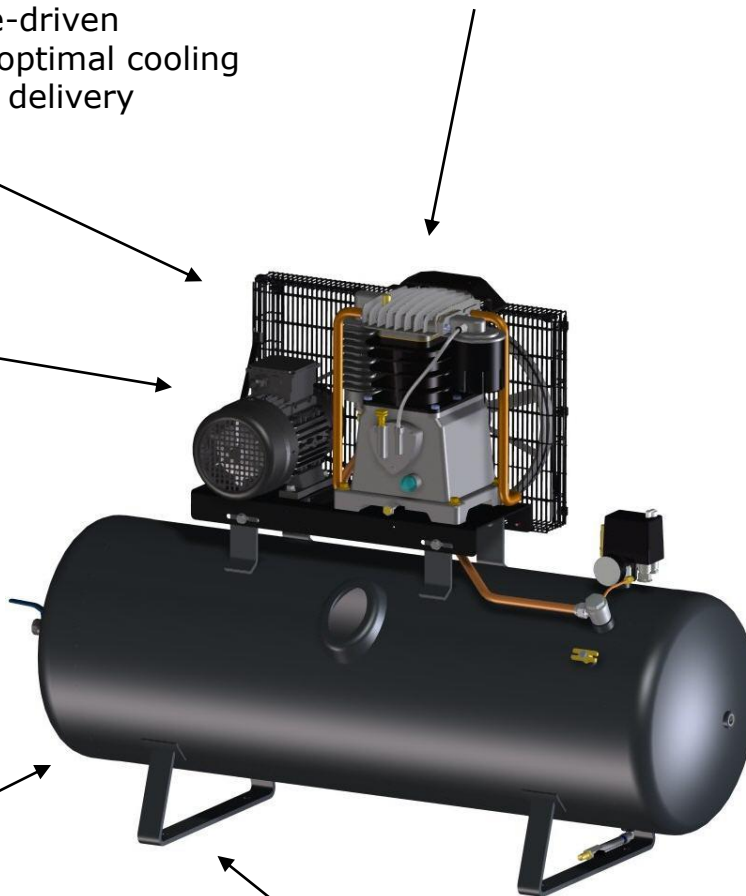
guaranteed by 15-year warranty against rust-through of vessel

## Space-saving design

Small footprints thanks to optimal arrangement of the components

## Motionless standing position

Standard features include: anti vibration rubber feet



## Further information

Complete equipment

Pressure switch, motor protection, safety and check valve, container pressure gauge, unloaded start

Scope of delivery

Instruction manual

Warranty

- 12 months for professional industrial use  
- 24 months for private use only