



CP Chicago Pneumatic  
ZAC de la lorie - 38  
rue Bobby Sands 44800 Saint Herblain, France  
www.cp.com










Part no 8940164681  
Issue no 0  
Series no 1  
Date 2008-06  
Page 1

8941076010, 8941076011, 8941076014, 8941076015

## Operator's Manual

### CP7600xB Series Nutrunners



 <b>WARNING - ATTENTION - WARNUNG - ADVERTENCIA - AVISO - AVVISO</b> <b>WAARSCHUWING - ADVARSEL - VAROITUS - VARNING - ΠΡΟΕΙΔΟΠΟΙΗΣΗ</b> 	
	TO REDUCE THE RISK OF INJURY, BEFORE USING OR SERVICING TOOL, READ AND UNDERSTAND THE FOLLOWING INFORMATION AS WELL AS SEPARATELY PROVIDED SAFETY INSTRUCTIONS (ITEM NUMBER: 8940165960)
	AFIN DE LIMITER LES RISQUES DE BLESSURES, AVANT D'UTILISER OU DE RÉPARER L'OUTIL, LISEZ ET ASSIMILEZ LES INFORMATIONS SUIVANTES AINSI QUE LES INSTRUCTIONS DE SÉCURITÉ FOURNIES SÉPARÉMENT (CODE D'ARTICLE : 8940165960)
	ZUR VERRINGERUNG DES VERLETZUNGSRIKOS SIND VOR DER INBETRIEBNAHME ODER WARTUNG DES WERKZEUGS FOLGENDE INFORMATIONEN SOWIE DIE GETRENNT BEILIEGENDEN SICHERHEITSANWEISUNGEN (ARTIKELNR. 8940165960) SORGFÄLTIG ZU LESEN.
	PARA REDUCIR EL RIESGO DE LESIONES, ANTES DE UTILIZAR O REVISAR LA HERRAMIENTA, LEA DETENIDAMENTE LA SIGUIENTE INFORMACIÓN Y LAS INSTRUCCIONES DE SEGURIDAD PROPORCIONADAS POR SEPARADO (NÚMERO DE COMPONENTE: 8940165960)
	PARA REDUZIR O RISCO DE OCORRÊNCIA DE FERIMENTOS, ANTES DE UTILIZAR A FERRAMENTA DE ASSISTÊNCIA LEIA ATENTAMENTE A INFORMAÇÃO QUE SE SEGUE, BEM COMO AS INSTRUÇÕES DE SEGURANÇA FORNECIDAS EM SEPARADO (NÚMERO DE ARTIGO: 8940165960)
	PER RIDURRE IL RISCHIO DI LESIONI, PRIMA DI UTILIZZARE O RIPARARE L'UTENSILE, LEGGERE ATTENTAMENTE LE INFORMAZIONI RIPORTATE DI SEGUITO OLTRE ALLE ISTRUZIONI DI SICUREZZA FORNITE SEPARATAMENTE (N. ARTICOLO: 8940165960)
	OM HET RISICO VAN VERWONDING TIJDENS HET GEBRUIK VAN DIT PRODUCT OF TIJDENS ONDERHOUD TE VERMIJDEN, DIENEN DE HIERNA VOLGENDE INFORMATIE EN DE APART VERSTREKTE VEILIGHEIDSINSTRUCTIES GOED GELEZEN TE WORDEN (ONDERDEELNUMMER: 8940165960)



CP Chicago Pneumatic  
ZAC de la lorie - 38  
rue Bobby Sands 44800 Saint Herblain, France  
www.cp.com

Part no	8940164681
Issue no	0
Series no	1
Date	2008-06
Page	2

8941076010, 8941076011, 8941076014, 8941076015

**FOR DETAILED INFORMATION ABOUT CHICAGO PNEUMATIC  
AIR TOOLS AND EQUIPMENT VISIT OUR WEBSITE**

**[www.cp.com](http://www.cp.com)**

## INSTRUCTION MANUAL

This product is designed for installing and removing threaded fasteners in wood, metal and plastic. No other use permitted. For professional use only.

### Main characteristics

Torque range	300 - 900 Nm	221 - 664 lbf ft
Free speed	100 r/mn (tr/mn)	100 r/mn (tr/mn)
Working pressure	3 - 7 bar	44 - 102 psi
Air consumption	19 l/s (40CFM)	19 l/s (40CFM)
Weight:		
CP7600xB	6.0 kg	13.2 lbs
CP7600xB-R	6.6 kg	14.6 lbs
CP7600xB-4P	6.3 kg	13.9 lbs
CP7600xB-R4P	6.9 kg	15.2 lbs

### Noise and vibration emission

Noise according to ISO15744	dB(A)
Measured sound pressure level	79
Determined sound power level	
Spread in method and production	3

Vibration according to ISO 8662-7	m/s <sup>2</sup>
Measured vibration value	<2.5
Spread in method and production	

### Declaration of noise and vibration emission

These declared values were obtained by laboratory type testing in accordance with the stated standards and are suitable for comparison with the declared values of other tools tested in accordance with the same standards. These declared values are not adequate for use in risk assessments and values measured in individual work places may be higher. The actual exposure values and risk of harm experienced by an individual user are unique and depend upon the way the user works, the workpiece and the workstation design, as well upon the exposure time and the physical condition of the user.

We, CP, cannot be held liable for the consequences of using the declared values, instead of values reflecting the actual exposure, in an individual risk assessment in a work place situation over which we have no control. This tool may cause hand-arm vibration syndrome if its use is not adequately managed. An EU guide to managing hand-arm vibration can be found at <http://www.human-vibration.com/EU/VIBGUIDE.htm> We recommend a programme of health surveillance to detect early symptoms which may relate to vibration exposure, so that management procedures can be modified to help prevent future impairment.

Part no	8940164681
Issue no	0
Series no	1
Date	2008-06
Page	4

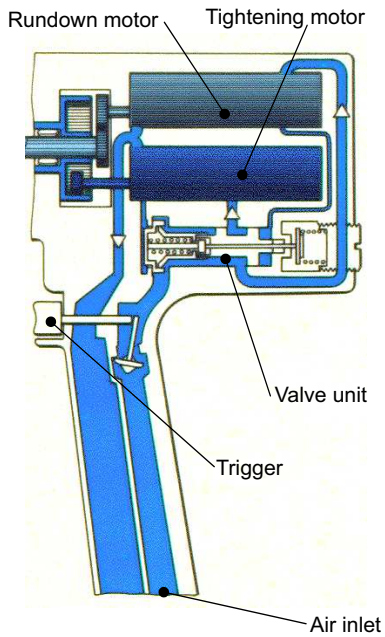


## Copyright

© Copyright 2008, CP. All rights reserved. Any unauthorized use or copying of the contents or part thereof is prohibited. This applies in particular to trademarks, model denominations, part numbers and drawings. Use only authorized parts. Any damage or malfunction caused by the use of un authorized parts is not covered by Warranty or Product Liability.

## Principle

Inside CP7600, a valve unit combines 2 key functions: driving the air through the two pneumatic motors and shutting off the air supply of the tool.



### Rundown

When pulling the trigger, the air flows through the valve unit, driving the air through the rundown motor that rotates. This motor drives a low ratio gear generating high speed and low torque.

### Motor switch

As the torque load applied on the CP7600 output drive increases, the rundown motor slows down, leading to a higher air pressure inside the motor. Under this higher pressure, the valve is pushed to another position.

### Tightening

The air is then driven through the tightening motor. This motor drives a high ratio gear generating low speed and high torque.

### Shut off

As the torque load continues to increase, the tightening motor slows down, leading to a higher air pressure in the motor. When this air pressure exceeds the adjusted pressure of a spring, a piston in the valve unit is pushed, shutting off the whole air admission.

### Adjusting the shut off

The spring pressure is adjusted when calibrating of the tool. A specific air pressure (usually 6.3 bar/90 psi) leads to a specific torque.

## WARNING



A change in the air pressure will affect the behavior of the shut off.

If the air pressure is higher than the calibration air pressure, the shut off will operate earlier and the torque will be lower than expected.

It is very important to run CP7600 at the air pressure written on the calibration certificate, in order to get the proper torque.

## Installation

### Air quality

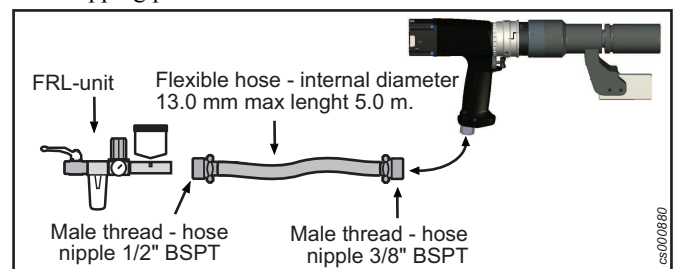
- For optimum performance and maximum machine life we recommend use of compressed air with a dew point between +2°C and +10°C. Installation of a refrigeration-type air dryer is recommended.
- Use a separate air filter, remove solid particles larger than 15 microns and more than 90 % of liquid water, installed as close as possible to the machine and prior to any other air preparation unit (please see Air Line Accessories in our main catalogue). Blow out the hose before connecting.
- The compressed air must contain a small quantity of oil. We strongly recommend that you install a oil-fog lubricator to be set normally at 3-4 drops(50mm<sup>3</sup>)/m<sup>3</sup> air consumption for long cycle running tools, or a single-point lubricator for short cycle running tools. Regarding lubrication free tools it is, at the customers option, no disadvantage if the compressed air contains a small quantity of oil as supplied from a lubricator. An exception is turbine tools that should be kept oil free.

### Compressed air connection

- The machine is designed for a working pressure (e) of 3–7 bar = 300–700 kPa = 44-102 psi.
- Blow out the hose before connecting.

### Recommended installation

To ensure correct capacity of the machine, we strongly recommend you to follow the enclosed installation proposal from the air network tapping point to the tool.



## Handling

### Tightening torque setup

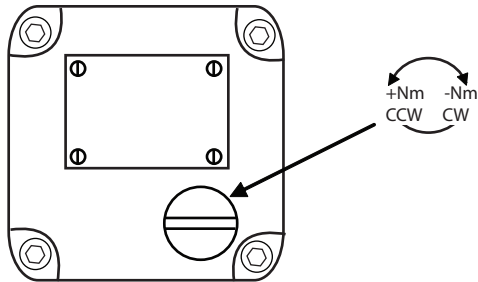
For accurate operation and safety, the tightening torque of the nut runner must be set correctly in relation to the screw joint. Check the tightening torque given to the joint in question.

The air pressure supplied by the FRL unit is set according to the pressure written on the calibration certificate at free speed (trigger fully pressed and nutrunner running freely with no load during a couple of seconds) usually 6.0 - 6.3 bar = 87 - 91 psi.

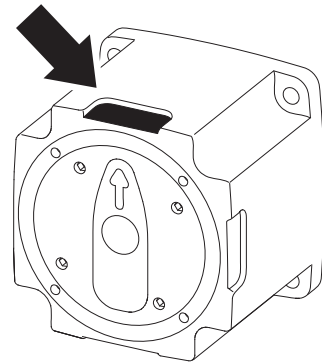


### Single torque selector

Adjust the torque setting by means of the adjustment key. The torque is increased when screwing the screw counter clockwise. After adjustment, check the tightening torque given to the joint in question.



c000850

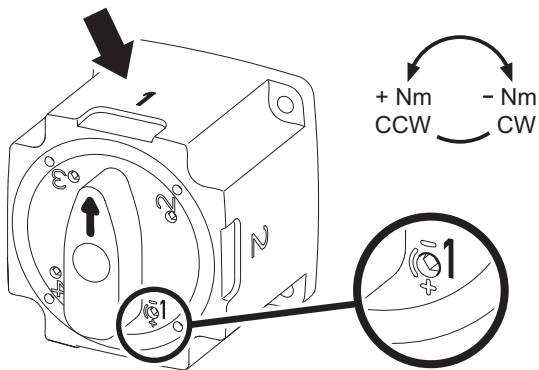


cs001050

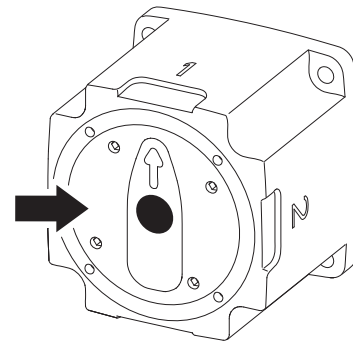
**i** If shut-off is carried out at high speed of revolution, causing a high torque scatter, it is recommended to reduce the air pressure.

### 4-position selector

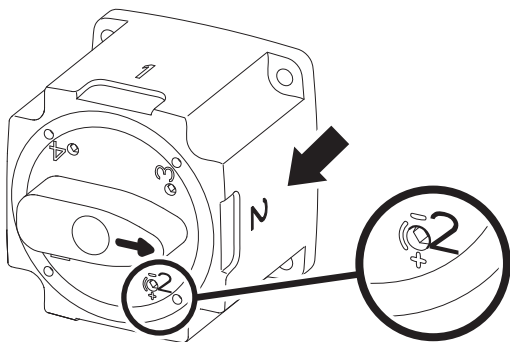
In order to set Torque 1, turn the rotary switch to the ref. mark on the housing. Set the adjustment screw 1. See mark on the switch how to increase/decrease the torque. To set Torque 2, turn the rotary switch to the Ref. 2 mark on the housing. Set the adjustment screw 2.



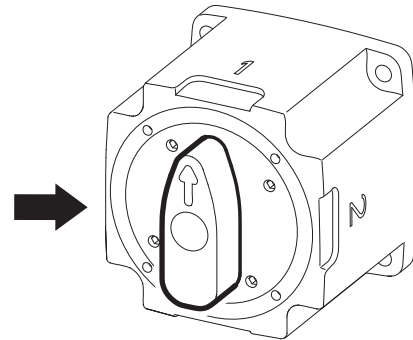
cs000800



cs000810



cs001040



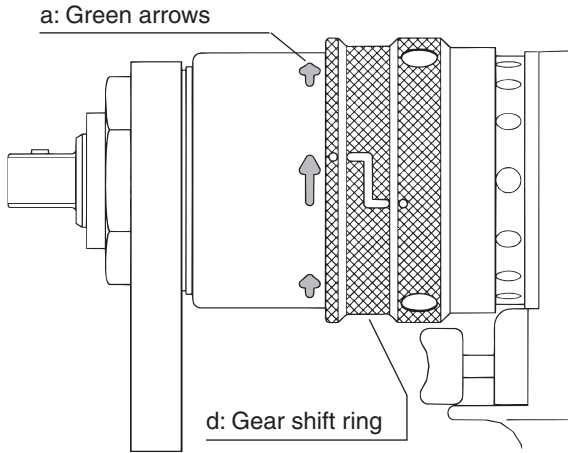
cs001060

Remember your torque settings by placing your own markings on the four areas on the housing.

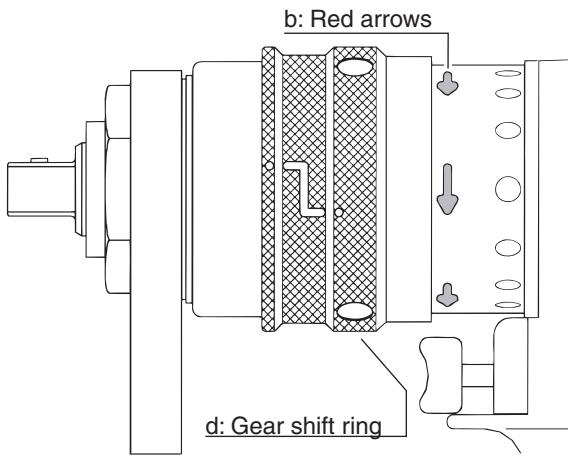
### Operating instructions Tightening torque selection

Push the black button. Turn the rotary switch to desired position. Push the rotary switch back in.

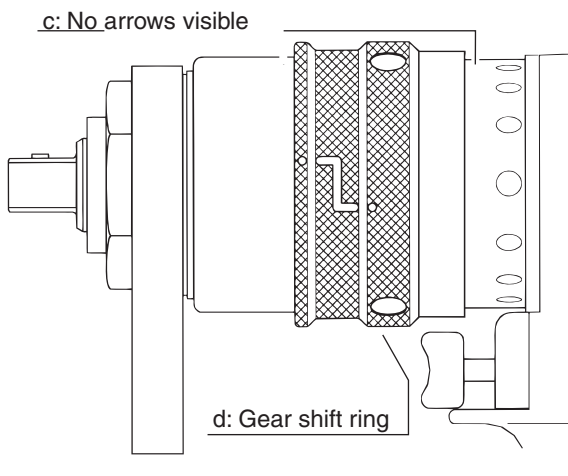
**Position of the gear shift ring - clockwise gear position**



**Position of the gear shift ring - counter-clockwise gear position**



**Position of the gear shift ring - middle gear position**



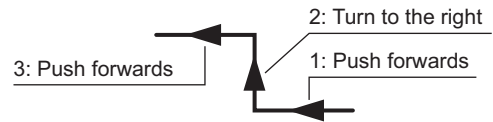
**Instructions for reversing**

As there is no automatic return of the gear shift to a fixed position, always check before starting that gear shift is in clockwise position or counter-clockwise position with all arrows clearly visible.

**WARNING**

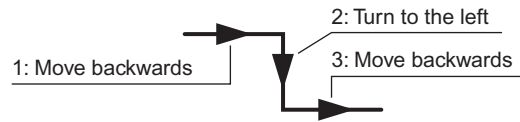
Never shift the gear when the machine is running.  
Never start the machine when gear shift is in middle position.

Grip the gear shift ring by hand and move it forward – right – forward, see Fig. below.



The red arrows indicate the direction of running. I.e. the machine will run counter-clockwise when started.

When changing back to the clockwise position, pull the ring back – left – back, see Fig. below.

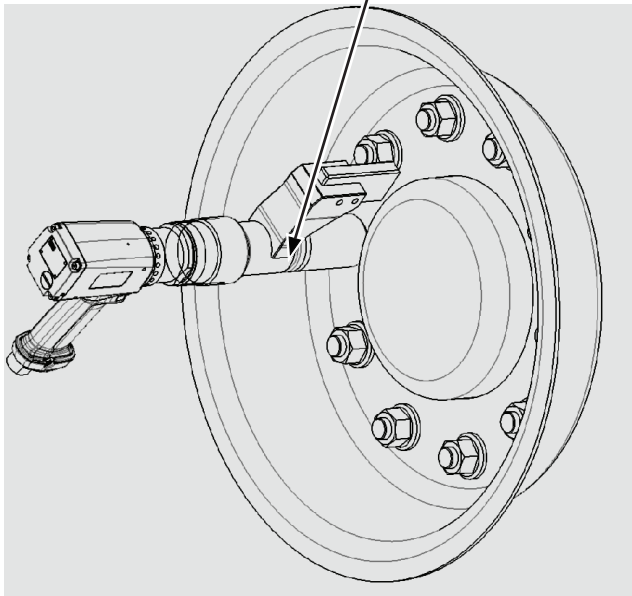
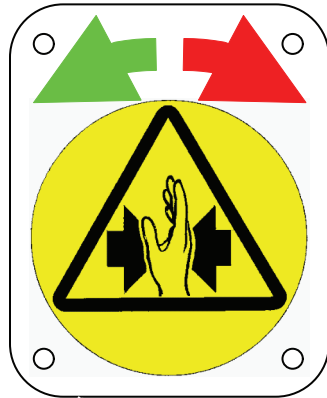


The green arrows indicate the direction of running, i.e. the machine will run clockwise when started. It is not necessary to keep the ring in both positions by hand.

**Extended reaction arm with blade**

Check that the blade is firmly fitted into the reaction arm.

Apply the reaction bar in the wanted position - opposite the direction of the machine - before starting the machine.



cs000860

## Maintenance

### For maximum performance

It is important to lubricate regularly to get maximum performance and trouble-free operation. The motor should be lubricated with oil; i.e. drops of oil can be dropped either into the compressed air or directly into the air inlet.

The trigger, planetary gears, needle bearings and ball bearings should be lubricated with grease during the regular overhaul of the machine.

The angle gear and clutch must be lubricated using grease that contains molybdenum disulphide: Molykote BR2 Plus, for example, or an equivalent brand.

Use lubricants of good quality. The oils and greases mentioned in the table are examples of lubricants which are recommended.

### Rust protection and internal cleaning

Water in the compressed air, dust and wear particles cause rust and sticking of vanes, valves etc. An air filter should be installed close to the machine (see "Air quality").

### Service instructions

Overhaul and preventive maintenance is recommended at regular intervals once per year or after maximum 250.000 tightenings depending on which occurs sooner. More frequent overhaul may be needed, if used at high torque and long tightening times. If the

machine not is working properly, it should immediately be taken away for inspection.

The strainer at the air inlet and the exhaust silencer should be cleaned frequently or replaced in order to prevent clogging, which decreases the capacity.

At the overhauls, all parts should be cleaned accurately and defective or worn parts (i.e. O-rings, vanes) should be replaced.

### Disassembling / assembling

It is important that the machines threaded connections are tightened properly; i.e. in accordance with the specifications on the exploded views.

- ⓘ Lubricate o-rings and threaded connections with grease before assembling.

### Cleaning

Clean all parts thoroughly in white spirit or similar cleaning agent.

To prevent clogging and decreased power, it could be necessary to clean the strainer (if used) and the exhaust filter between the overhauls.

### Inspection

After the cleaning, inspect all parts. Damaged and worn parts should be replaced.

### Lubrication

Lubricate specially gears, valve and clutch with grease containing molybdenum disulphide (e.g. Molykote BR2 Plus). Please see exploded views and fig. under Service instructions.

### Grease guide Nutrunners

Brand	Bearings	Free wheel unit (gear rim and gear wheels)	Free wheel
BP			Energrease LS-EP2
Castrol	Spheerol EP L2		
Esso	Beacon EP2		Beacon EP2
Q8	Rembrandt EP2		Rembrandt EP2
Mobil	M.Grease XHP 222		
Shell	Alvania EP2		Alvania EP2
Texaco	Multifak EP2		
Molycote			
Lubricating		Suntemp LE 9102	
STP		Oil treatment	

Brand	Gears	General purpose
Bp		Energrease LS-EP2
Castro		Spheerol EP L2
Esso		Beacon EP2
Q8		Rembrandt EP2
Mobil		Mobilegrease XHP 222
Shell		Alvania EP2
Texaco		Multifak EP2
Molycote	BR2 Plus	

Part no	8940164681
Issue no	0
Series no	1
Date	2008-06
Page	8



## Safety instructions

### Warning

Make sure you are familiar with the operating instructions before you use thi machine.

The machine, together with any attachments and accessories, must never be used for anything other than the designated purpose.

All locally legislated safety rules with regard to installation, operation and maintenance shall be respected at all times.

Refer installation and servicing to qualified personnel only.

Before making any adjustments (e.g. changing sockets) disconnect the machine from the compressed air line.

Check the direction of the rotation before using the machine.

Operators of nutrunners with a torque reaction bar should take particular care to avoid injuries due to squeezing. For safety reasons – never allow anyone to operate the machine unless he is trained and thoroughly familiar with how the machine works in different circumstances. Refer to the section headed “Reaction bar”.

**The machine may only be used together with the associated torque reaction bar** which is adapted to the screw joint application concerned. See also the instructions under the heading “Reaction bar”.

**Never put your hand on or close to the reaction bar** while the machine is being used.

Check that the power socket is properly fastened. Replace the retaining or locking pin when necessary. Also replace any worn socket.

Keep hands, long hair or other objects away from the rotating socket.


When using a suspension yoke, check that it is in good condition and correctly fastened.





## CP Guarantee

- 1) This CP product is guaranteed against defective workmanship or materials, for a maximum period of 12 months following the date of purchase from CP or its agents, provided that its usage is limited to single shift operation throughout that period. If the usage rate exceeds that of single shift operation, the guarantee period shall be reduced on a pro rata basis.
- 2) If, during the guarantee period, the product appears to be defective in workmanship or materials, it should be returned to CP or its agents, together with a short description of the alleged defect. CP shall, at its sole discretion, arrange to repair or replace free of charge such items as are deemed faulty by reason of defective workmanship or materials.
- 3) This guarantee ceases to apply to products which have been abused, misused or modified, or which have been repaired using other than genuine CP spare parts or by someone other than CP or its authorized service agents.
- 4) Should CP incur any expense correcting a defect resulting from abuse, misuse, accidental damage or unauthorized modification, they will require that such expense shall be defrayed in full.
- 5) CP accepts no claim for labour or other expenditure made upon defective products.
- 6) Any direct, incidental or consequential damages whatsoever arising from any defect are expressly excluded.
- 7) This guarantee is given in lieu of all other guarantees, or conditions, expressed or implied, as to the quality, merchantability or fitness for any particular purpose.
- 8) No one, whether an agent, servant or employee of CP, is authorized to add to or modify the terms of this limited guarantee in any way.

Part no	8940164681	
Issue no	0	
Series no	1	
Date	2008-06	
Page	10	

## MANUEL UTILISATEUR

Ce produit est conçu pour le serrage et le deserrage d'ensembles vissés en bois, métal et plastique. Aucune autre utilisation n'est autorisée. Usage professionnel exclusivement.

### Caractéristiques principales

Couple	300-900 Nm
Vitesse à vide	100 r/mn (tr/mn)
Pression d'utilisation	3 - 7 bar
Consommation air comprimé	19 l/s (40CFM)
Masse:	
CP7600xB	6.0 kg
CP7600xB-R	6.6 kg
CP7600xB-4P	6.3 kg
CP7600xB-R4P	6.9 kg

### Niveau de bruit et émission de vibrations déclarés

Bruit mesurées conformément à ISO15744	dB(A)
Niveau de pression sonore mesuré	79
Niveau de puissance sonore déterminée	
Propagation en méthode et production	3

Vibrations mesurées conformément à EN/ISO 8662-7	m/s <sup>2</sup>
Valeur de vibration mesurée	<2.5
Propagation en méthode et production	

### Déclaration relative au bruit et aux vibrations

Les valeurs déclarées ont été obtenues lors d'essais de type réalisés en laboratoire, conformément aux standards établis et peuvent faire l'objet de comparaisons avec les valeurs déclarées d'autres outils testés selon les mêmes standards. Les valeurs déclarées ne peuvent être utilisées dans le cadre d'une estimation des risques et les valeurs relevées sur des postes de travail individuels peuvent s'avérer supérieures. Les valeurs d'exposition réelles et le risque de nuisance pour un utilisateur individuel sont uniques et dépendent de la manière dont l'utilisateur travaille, de la pièce usinée, de l'organisation du poste de travail en lui-même ; ils dépendent également de la durée d'exposition et de la condition physique de l'utilisateur.

Nous, soussignés CP, ne pouvons être tenus pour responsables des conséquences que peut entraîner l'utilisation de ces données déclarées à la place des valeurs correspondant à l'exposition réelle, dans le cadre d'une estimation des risques individuels sur un lieu de travail sur lequel nous n'avons aucun contrôle. Cet outil peut entraîner le syndrome des vibrations main-bras s'il n'est pas utilisé de manière adéquate. Le guide de l'UE des bonnes pratiques en matière de vibrations main-bras est disponible à l'adresse suivante : <http://www.humanvibration.com/EU/VIBGUIDE.htm> Nous recommandons la mise en place d'un programme de surveillance médicale afin de détecter les premiers symptômes qui pourraient être dus à une exposition aux vibrations ; les procédures de gestion pourraient alors être modifiées pour éviter une future déficience.



## Copyright

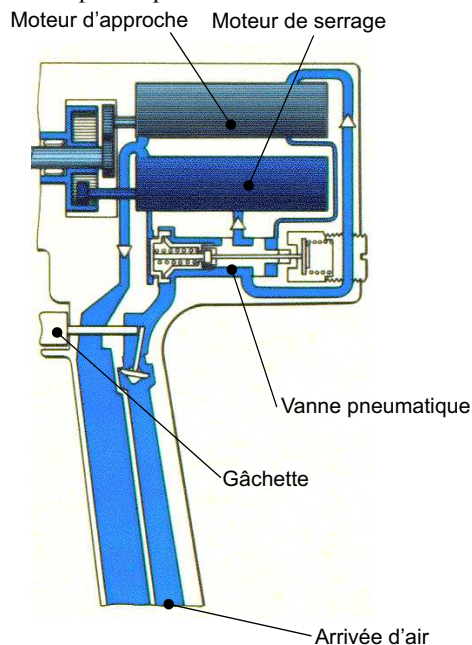
© Copyright 2008, CP. Tous droits réservés. Tout usage illicite ou copie totale ou partielle sont interdits. Ceci s'applique plus particulièrement aux marques déposées, dénominations de modèles, numéros de pièces et schémas. Utiliser exclusivement les pièces autorisées. Tout dommage ou mauvais fonctionnement causé par l'utilisation d'une pièce non autorisée ne sera pas couvert par la garantie du produit et le fabricant ne sera pas responsable.

## Principe de fonctionnement

La CP7600 est équipée d'une vanne pneumatique qui combine 2 fonctions clés :

- alimenter en air comprimé les 2 moteurs pneumatiques
- couper l'alimentation en air comprimé des 2 moteurs lors qu'un seuil de couple.

Le fonctionnement de la CP7600, lors d'un cycle de vissage, comprend plusieurs phases particulières:



### Approche

Lorsque la gâchette est enfoncée, l'air comprimé traverse la vanne pneumatique et alimente le moteur d'approche qui commence à tourner. Ce moteur est lié à une faible démultiplication ce qui permet d'obtenir une vitesse de sortie importante et un couple faible.

### Commutation de moteurs

Plus le couple appliqué en sortie de la CP7600 augmente, plus le moteur d'approche ralentit. De ce fait la pression dans le moteur augmente et provoque un déplacement de la vanne pneumatique qui augmente alors l'alimentation du moteur de serrage.

### Serrage

Le moteur de serrage fournit grâce à une forte démultiplication un couple élevé mais une vitesse de sortie faible.

### Coupure

Plus le couple appliqué en sortie de la CP7600 augmente, plus le moteur de serrage ralentit. De ce fait la pression dans le moteur augmente et provoque un déplacement de la vanne pneumatique

qui coupe alors complètement l'alimentation en air comprimé des 2 moteurs.

## Réglage de la coupure

Lors de la calibration, l'effort appliqué par le ressort de la vanne pneumatique est ajusté de manière à obtenir la coupure au couple voulu. Cette calibration est réalisée à une pression spécifique, typiquement 6.3bar/90psi.

### AVERTISSEMENT



Une modification anormale de la pression d'alimentation de l'outil peut modifier le fonctionnement de la vanne de coupure. Si la pression d'alimentation est supérieure à la pression de calibration, la coupure peut se produire prématurément à un couple inférieur à celui demandé. Il est impératif de faire fonctionner la CP7600 avec une pression conforme à celle mentionnée sur le certificat de calibration afin d'obtenir le couple requis.

## Installation

### Qualité de l'air

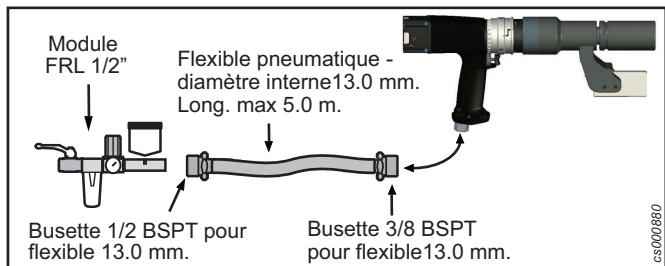
- Pour obtenir des performances optimales et une durée de vie de la machine maximum, nous vous recommandons d'utiliser de l'air comprimé avec un point de rosée compris entre +2°C et +10°C. L'installation d'un sécheur d'air comprimé de type déshydrateur à réfrigération est recommandée.
- Utilisez un filtre à air indépendant pouvant retenir les particules solides supérieures à 15 microns et plus de 90 % d'eau sous forme liquide. Le filtre sera installé aussi près que possible de la machine et avant toute unité de traitement préalable de l'air (veuillez vous reporter au chapitre Accessoires de ligne de notre catalogue principal). Purgez le flexible par soufflage avant de le raccorder.
- L'air comprimé doit contenir une petite quantité d'huile. Nous vous recommandons fortement d'installer pour les outils à cycle long un lubrificateur à brouillard d'huile, celui-ci étant généralement réglé pour fournir de 3 à 4 gouttes (50mm<sup>3</sup>) par m<sup>3</sup> de consommation d'air, ou pour les outils à cycle court un lubrificateur pour graissage localisé. Pour les outils n'exigeant pas de lubrification, il n'y a aucun inconvénient, selon le choix du client, à ce que l'air comprimé contienne une petite quantité d'huile fournie par un lubrificateur. Les outils à turbine qui doivent rester exempts d'huile sont une exception.

### Raccordement de l'air comprimé

- L'outil est conçu pour une pression d'utilisation (e) de 3 à 7 bar = 300–700 kPa = 6–7 kp/cm<sup>2</sup>.
- Soufflez de l'air dans le flexible avant de le connecter.

### Proposition d'installation

Pour garantir des performances optimales à votre outil, nous vous recommandons de vérifier que votre installation est conforme aux préconisations ci-dessous.



## Maniement

### Réglage du couple de serrage

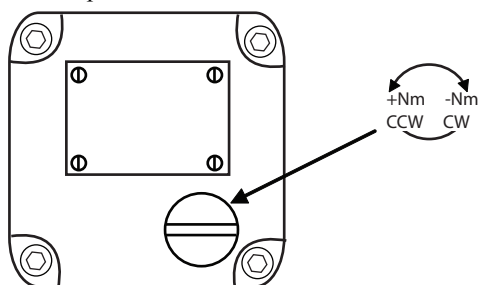
Pour garantir la sécurité et le bon fonctionnement de la visseuse, ajustez correctement le couple de serrage en fonction du joint de la vis. Vérifiez les spécifications de couple du joint concerné.

La pression d'air fournie par le FRL est réglée conformément à la pression à vide, inscrite sur le certificat de calibration (gachette actionnée à fond et outil tournant librement à pleine vitesse durant plusieurs secondes) typiquement 6.0 - 6.3 bar.

Ajuster le réglage de couple au moyen de la clé de réglage. Le couple augmente quand la vis est tournée dans le sens antihoraire.

### Sélecteur de couple simple

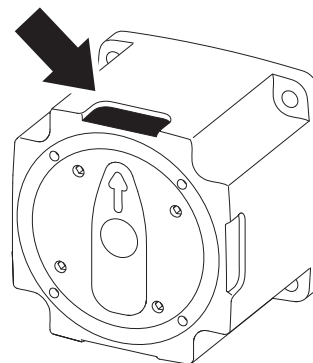
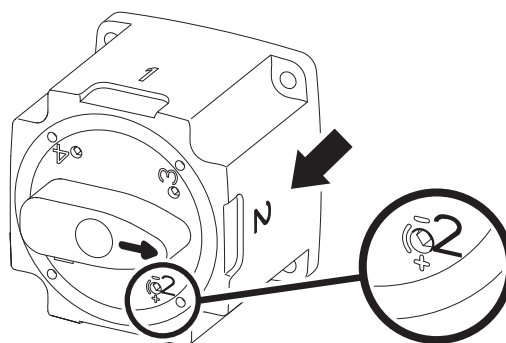
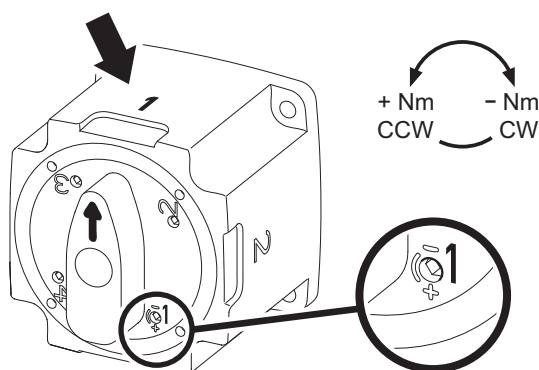
Ajuster le réglage de couple au moyen de la clé de réglage. Le couple augmente quand la vis est tournée dans le sens antihoraire. Après réglage, effectuer plusieurs serrages sur le joint concerné et contrôler le couple obtenu.



ⓘ Si la coupure se produit lorsque l'outil tourne vite et que cela provoque une forte dispersion des résultats, il est recommandé de réduire la pression en air comprimé.

### Sélecteur de couple à 4 positions

Pour régler le seuil de couple 1, tourner le sélecteur jusqu'à la position 1. Ajuster le couple en tournant la vis de réglage 1. Répérer sur le sélecteur comment tourner la vis de réglage pour diminuer/augmenter le couple. Pour régler le seuil de couple 2, tourner le sélecteur jusqu'à la position 2. Ajuster le couple en tournant la vis de réglage 2.

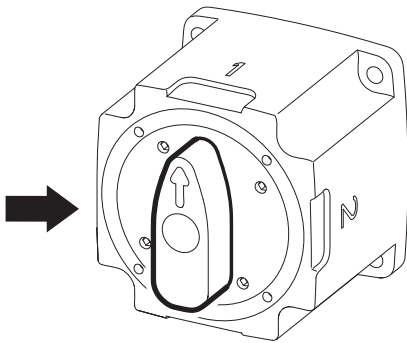
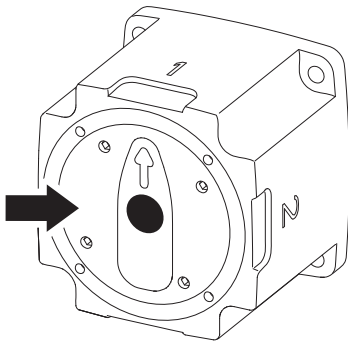


Placer dans chacune des 4 fenêtres une étiquette pour vous rappeler le couple précédemment réglé.

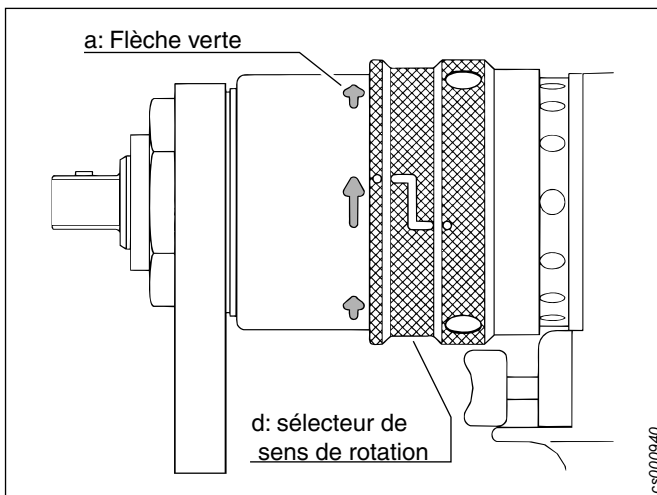
### Instructions d'utilisation

#### Sélection du couple

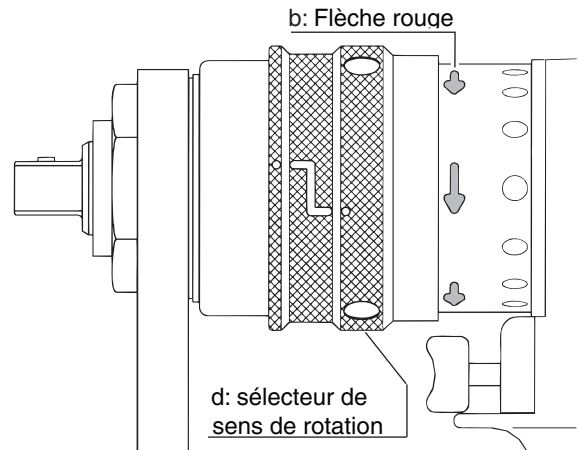
Appuyer sur le bouton noir. Tourner le sélecteur jusqu'à la position désirée. Enfoncer le sélecteur.



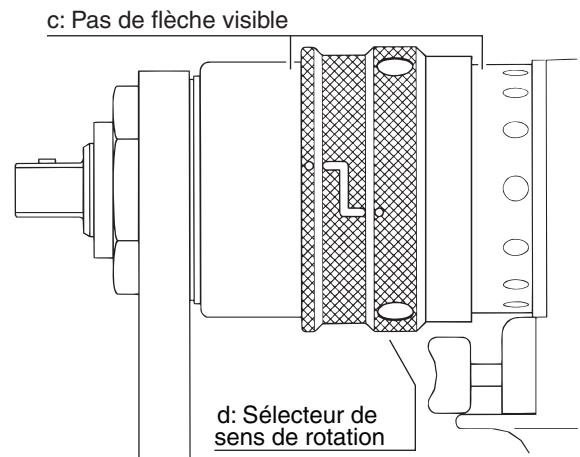
### Position de la bague d'inversion du sens de rotation - rotation en sens horaire



### Position de la bague d'inversion du sens de rotation - Position d'inversion du sens de rotation



### Position de la bague d'inversion du sens de rotation - Position de déverrouillage de l'engrenage



### Instructions relatives à l'inversion du sens de rotation

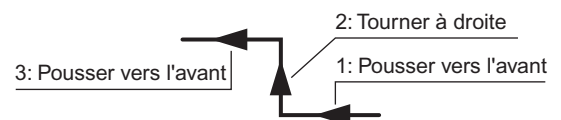
Comme il n'y a pas de retour automatique du sélecteur de sens de rotation vers une position prédéterminée, vérifier toujours avant de lancer l'outil que le sélecteur est correctement positionné dans le sens horaire ou anti-horaire et que les flèches associées sont clairement visibles.

#### AVERTISSEMENT



N'inversez jamais le sens de rotation pendant que l'outil est en service. Ne lancer jamais l'outil lorsque le sélecteur de sens de rotation est en position débrayée.

Saisissez la bague d'inversion du sens de rotation et déplacez – la vers l'avant (1), vers la droite (2), puis vers l'avant (3), comme illustré à la figure ci-dessous.

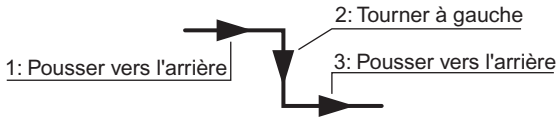


Part no	8940164681
Issue no	0
Series no	1
Date	2008-06
Page	14



Les flèches rouges indiquent le sens de rotation de l'outil, c'est-à-dire dans le sens inverse des aiguilles d'une montre au démarrage.

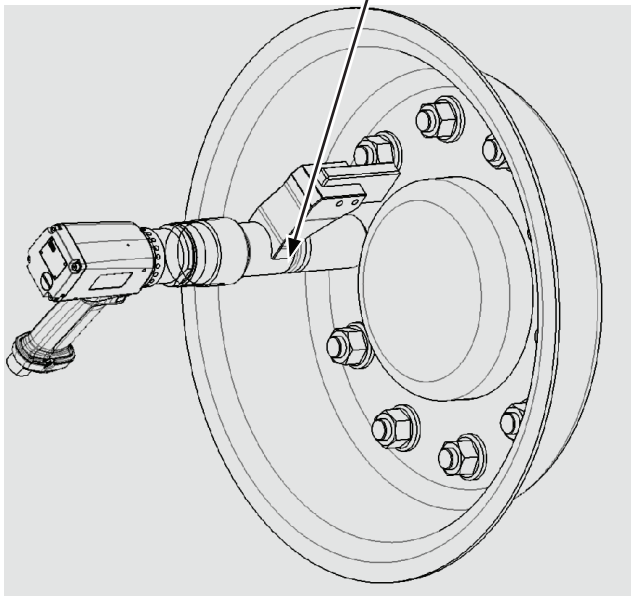
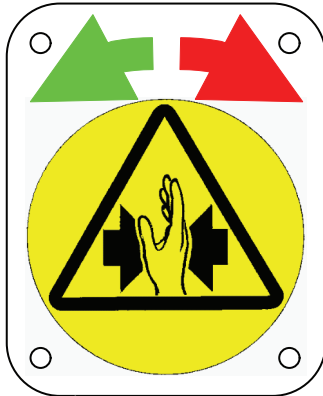
Pour rétablir le sens de rotation horaire de l'outil, tirez la bague vers l'arrière (1), vers la gauche (2), puis à nouveau vers l'arrière (3), comme illustré à la figure ci-dessous.



Les flèches vertes indiquent le sens de rotation de l'outil. Dans les 2 positions il n'est pas nécessaire de tenir la bague.

### Mise en place de l'outil avec lame

Vérifier que la lame est parfaitement maintenue sur le bras de réaction. Positionner la lame contre le point de réaction dans le sens voulu (à l'opposé de la rotation de l'outil) avant de lancer l'outil.



Moteur: lubrification à l'huile, injectée goutte à goutte dans l'air comprimé ou directement dans l'entrée d'air.

Gâchette, trains épicycloïdaux, roulements à aiguilles et à billes: lubrification à la graisse à chaque révision normale de l'outil.

Renvoi d'angle et embrayage: lubrification à la graisse contenant du bisulfure de molybdène, telle que Molykote BR2 ou autres marques équivalentes.

Utilisez des lubrifiants de première qualité. Le tableau contient des exemples de lubrifiants recommandés.

### Protection contre la rouille et nettoyage interne

L'eau de l'air comprimé, les poussières et autres particules dues à l'usure peuvent entraîner la formation de corrosion et colmater les palettes, les soupapes, etc. Nous vous conseillons d'installer un filtre à air à proximité de l'outil (voir "Qualité de l'air").

### Instructions de service

Nous vous conseillons de procéder régulièrement à la révision et l'entretien préventif de l'outil, notamment une fois par an ou après 250.000 serrages maximum, selon l'échéance la plus proche. Des révisions plus fréquentes peuvent s'avérer nécessaires, quand l'outil est utilisé avec un couple élevé ou que les durées de serrage sont importantes. Si l'outil ne fonctionne pas correctement, il doit être immédiatement retiré du service et inspecté.

Le filtre de l'admission d'air et le silencieux doivent être nettoyés fréquemment ou remplacés afin d'éviter tout colmatage susceptible de diminuer les capacités de l'outil.

Lors de chaque révision, nettoyez convenablement toutes les pièces et remplacez celles qui sont usées ou endommagées (notamment les joints toriques et les palettes).

### Démontage / montage

Il est important de serrer correctement les connexions filetées des outils, conformément aux spécifications mentionnées dans les vues éclatées.

- ⓘ Avant tout raccordement, appliquer de la graisse sur les filetages.  
Pendant l'assemblage: graisser tous les joints toriques.

### Nettoyage

Nettoyez complètement toutes les pièces avec du White spirit ou autre agent de nettoyage similaire.

Pour éviter tout colmatage ou toute diminution de puissance, vous devez nettoyer le filtre (le cas échéant) et le filtre d'échappement entre les entretiens.

### Inspection

Après le nettoyage, vérifiez toutes les pièces. Remplacez toutes les pièces endommagées ou usées.

### Lubrification

Lubrifiez en particulier les engrenages, la soupape et l'embrayage avec de la graisse contenant du bisulfite de molybdène (Molykote BR2 Plus, par exemple). Consultez les figures et les vues éclatées dans les instructions de service.

## Maintenance

### Pour obtenir un rendement maximum

Une lubrification régulière est indispensable pour assurer des performances optimales et un fonctionnement sans problème.



## Guide de sélection des graisses :Boulonneuse

Marque	Paliers	Élément de roue libre (roues d'engrenage + couronne dentée)	Roue libre
BP			Energrease LS-EP2
Castrol	Spheerol EP L2		
Esso	Beacon EP2		Beacon EP2
Q8	Rembrandt EP2		Rembrandt EP2
Mobil	M.Grease XHP 222		
Shell	Alvania EP2		Alvania EP2
Texaco	Multifak EP2		
Molycote			
Lubricating		Suntemp LE 9102	
STP		Oil treatment	

Marque	Engrenages	Tout usage
Bp		Energrease LS-EP2
Castro		Spheerol EP L2
Esso		Beacon EP2
Q8		Rembrandt EP2
Mobil		Mobilegrease XHP 222
Shell		Alvania EP2
Texaco		Multifak EP2
Molycote	BR2 Plus	

Reportez-vous également aux instructions de la section "Toc de réaction".

Ne posez jamais la main sur le toc de réaction ou à proximité de celui-ci pendant l'utilisation de l'outil.

Vérifiez si la douille impact est correctement fixée. Remplacez la goupille de rétention ou de verrouillage s'il y a lieu. Remplacez également les douilles usées.

Maintenez les mains, les cheveux longs ou tout autre objet à l'écart de la broche rotative.

Si vous utilisez un anneau de suspension, assurez-vous qu'il est en bon état et qu'il est correctement serré.

## Consignes de sécurité

### Attention

Familiarisez-vous avec les instructions d'emploi avant de mettre l'outil en service.

Cet outil et ses accessoires sont strictement réservés aux utilisations prévues par son fabricant.

Toute réglementation de sécurité locale concernant l'installation, le fonctionnement et l'entretien doit toujours être respectée.

Confiez l'installation et l'entretien à du personnel qualifié uniquement.

Avant de procéder à un réglage quelconque, notamment un changement de douille, assurez-vous que la conduite d'air comprimé est débranchée.

Vérifiez le sens de rotation avant d'utiliser la machine.

Les boulonneuses avec toc de réaction demandent une attention particulière de l'opérateur pour éviter toute blessure engendrée par un pincement. Avant toute utilisation, l'opérateur devra connaître le fonctionnement de l'outil dans toutes les conditions de travail possibles et se sera entraîné à son maniement. Il devra également veiller à ce que l'outil ne soit manipulé par aucune personne qui n'a pas reçu la formation requise. Reportez-vous à la section intitulée "Toc de réaction".

**L'outil doit être utilisé exclusivement avec le toc de réaction correspondant**, qui doit être adapté à l'assemblage à effectuer.



## **GARANTIE CP**

- 1) Ce produit CP est garanti contre les vices de main d'œuvre ou de fabrication, pendant une période maximum de 12 mois à compter de la date d'achat auprès de CP ou de ses agents, dans la mesure où son usage est limité à une seule équipe de travail pendant cette période. Si le taux d'utilisation excède celui d'une seule équipe de travail, la période de garantie sera réduite proportionnellement.
- 2) Si, pendant la période de garantie, le produit semble présenter des vices de main d'œuvre ou de fabrication, il doit être renvoyé à sa discrétion, organisera la réparation ou le remplacement gratuit des articles jugés défectueux pour cause de vice de main d'œuvre ou de fabrication.
- 3) Cette garantie sera annulée s'il y a eu abus, mauvaise utilisation ou modification des produits, ou s'il ont été réparés en utilisant des pièces de rechange autres que celles prescrites par CP ou par une personne autre que CP ou l'un de ses agents agréés.
- 4) Au cas où CP encourait des dépenses pour rectifier un défaut résultant d'abus, de mauvaise utilisation, de détérioration accidentelle ou de modification non autorisée, ces dépenses seront à la charge totale du client.
- 5) CP n'accepte aucune réclamation en termes de main d'œuvre ou d'autres dépenses effectuées sur les produits défectueux.
- 6) Toutes les détériorations directes, accidentelles ou indirectes, quelles qu'elles soient, provenant d'un défaut quelconque, sont expressément exclues.
- 7) Cette garantie remplace toutes les autres garanties ou conditions, expresses ou implicites, quant à la qualité, la commercialisation ou l'adéquation du produit pour un objectif particulier.
- 8) Personne, que ce soit un agent, un serviteur ou un employé de CP, n'est autorisé à ajouter ou modifier d'une façon quel-conque les termes de cette garantie limitée.



## Bedienungsanleitung

Diese Maschine ist ein Schraubwerkzeug. Geeignet für Holz, Metall und Plastik. Die Maschine inkl. Befestigungen und Zubehörteile darf nur für den vorgesehenen Zweck verwendet werden.

### Leistungsdaten

Drehmomentbereich	300-900 Nm
Leerlaufdrehzahl	100 r/mn (tr/mn)
Arbeitsdruck	3-7 bar
Luftverbrauch	19 l/s (40CFM)
Gewicht:	
CP7600xB	6.0 kg
CP7600xB-R	6.6 kg
CP7600xB-4P	6.3 kg
CP7600xB-R4P	6.9 kg

### Schall- und Vibrationspegel

#### Geräuschemissionswerte entsprechen ISO15744 dB(A)

Gemessener Schalldruckpegel	79
Festgelegter Schalleistungspegel	
Streuweite je nach Meßverfahren und Produktion	3

#### Vibrationswerte entsprechen EN/ISO 8662-7 m/s<sup>2</sup>

Gemessener Vibrationspegel	<2.5
Streuweite je nach Meßverfahren und Produktion	

### Statement zur Geräusch & Vibrations-Deklaration

Diese angegebenen Werte wurden während eines Laborversuchs gemäß der vorgegebenen Normen durchgeführt und sind zum Vergleich mit angegebenen Werten anderer Werkzeuge geeignet, welche gemäß derselben Normen geprüft wurden. Diese angegebenen Werte reichen für eine Verwendung in der Risikobewertung nicht aus, wobei Werte gemessen an den verschiedenen Arbeitsplätzen höher liegen können. Die tatsächlichen Expositionswerte und das Gefährdungsrisiko, welchen die einzelne Bedienperson ausgesetzt ist, sind einmalig und hängen von der Arbeitsweise der Bedienperson, dem Werkstück und der Auslegung des Arbeitsplatzes ab, sowie von der Expositionsdauer und der physischen Verfassung der Bedienperson.

Wir, CP, übernehmen keine Haftung für jegliche durch die Anwendung der angegebenen Werte entstehenden Folgen, anstelle von Werten, welche die tatsächliche Exposition reflektieren, in einer individuellen Risikobewertung bei einer Arbeitsplatzsituation, über welche wir keine Kontrolle haben. Dieses Werkzeug kann das Hand-Arm-Vibrations-Syndrom auslösen, sofern sein Gebrauch nicht in ausreichendem Maße geregelt wird. Ein EU-Leitfaden zur Regelung von Hand-Arm Vibrationen steht im Internet zur Verfügung: <http://www.humanvibration.com/EU/VIBGUIDE.htm> Wir empfehlen ein Programm zur Gesundheitsüberwachung, durch welches frühe Symptome erkannt werden können, welche auf die Vibrationsexposition zurückgeführt werden könnten, so dass die Abläufe der Maßnahmen daraufhin so geändert werden können, dass zukünftige Beeinträchtigungen vermieden werden.

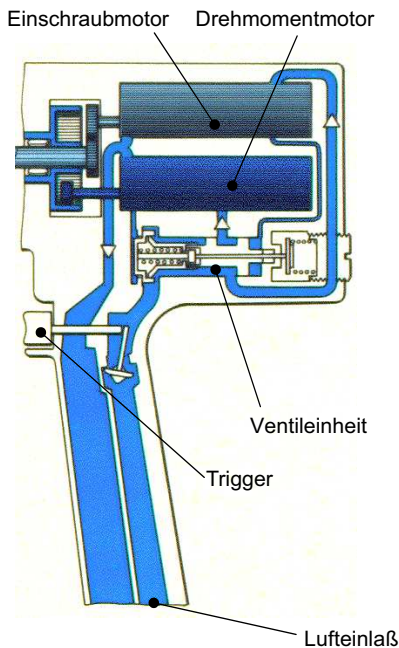
## Copyright

© Copyright 2008, CP. Alle Rechte vorbehalten. Unbefugtes Verwenden oder Kopieren des Inhalts bzw. von Teilen des Inhalts ist verboten. Dies gilt insbesondere für Warenzeichen, Modellbezeichnungen, Teilenummern und Zeichnungen. Nur die zugelassenen Ersatzteile verwenden. Schäden oder Funktionsstörungen, die durch die Verwendung nicht zugelassener Ersatzteile entstehen, sind von der Garantieleistung und der Produkthaftung ausgeschlossen.

## Funktionsweise

Das Ventil im CP7600 hat zwei Hauptfunktionen:

Den Luftstrom zu dem entsprechenden Pneumatikmotor zu leiten und die Luftzufuhr abzuschalten.



### Einschrauben

Bei Betätigung des Triggers wird der Luftstrom durch die Valve unit (Ventil) zum Rundown Motor (Einschraubmotor) geleitet. Dieser Motor ist für das Einschrauben, bei einem geringen Drehmoment (kleine Getriebeübersetzung) mit hoher Drehzahl, verantwortlich.

### Umschalten des Motors

Wenn sich das Drehmoment des CP7600 aufbaut, wird der Motor langsamer und der Luftdruck im Motor steigt. Durch diesen höheren Luftdruck schaltet das Valve in eine andere Position.

### Endanzug

Der Luftstrom fließt nun durch den Tightening Motor. Dieser Motor arbeitet mit einer größeren Getriebeübersetzung und somit geringerer Drehzahl.

### Abschalten

Wenn das Drehmoment stetig ansteigt, wird der Motor langsamer und der Luftdruck steigt wieder. Wenn der Luftdruck nun exakt gegen die eingestellte Federkraft arbeitet, schaltet ein Kolben die Luftzufuhr ab.

## Einstellung des Abschaltventils

Die Federkraft wird eingestellt, wenn das Werkzeug eingemessen wird. Der erforderliche Luftdruck beträgt 6,3 bar um das spezifische Drehmoment einzustellen.

### WARNUNG



Das verändern des Betriebsdrucks hat einen direkten Einfluss auf das Verhalten des Abschaltventils, wenn der Luftdruck höher ist wird das Ventil früher abschalten und das Drehmoment wird niedriger als erwartet sein. Es ist sehr wichtig den CP7600 mit dem Betriebsdruck zu betreiben, wie auf dem Messprotokoll bzw. Bedienungsanleitung vermerkt ist.

## Installation

### Luftqualität

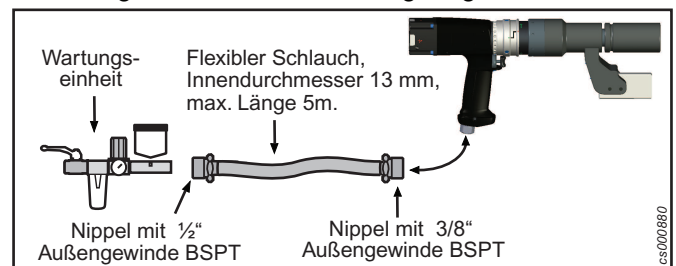
- Für eine optimale Leistung und maximale Maschinenlebensdauer empfehlen wir den Einsatz von Druckluft mit einem Taupunkt zwischen 2 und 10 °C. Die Installation eines CP-Kühllufttrockners wird empfohlen.
- Verwenden Sie einen separaten Luftfilter. Dieser sorgt für die Abscheidung von Feststoffteilchen mit einer Größe über 15 Mikrometer sowie mehr als 90 % des flüssigen Wassers. Der Filter ist so nah wie möglich an der Maschine und vor weiteren Luftaufbereitungseinheiten zu installieren (siehe Luftleitungs-zubehör in unserem Hauptkatalog). Blasen Sie den Schlauch vor dem Anschluss aus.
- Die Druckluft muss eine geringe Ölmenge enthalten. Wir empfehlen nachdrücklich die Installation eines CP -Nebelölers. Dieser wird in der Regel auf 3-4 Tropfen (50 mm<sup>3</sup>) je Kubikmeter Luftverbrauch für Werkzeuge mit langen Arbeitszyklen eingestellt. Alternativ kann ein CP-Einspritzöler für Werkzeuge mit kurzen Arbeitszyklen verwendet werden. Bei schmierfreien Werkzeugen, die auf Kundenwunsch bereitgestellt werden, ist es nicht nachteilig, wenn die Druckluft eine geringe Ölmenge enthält, die von einem Öler abgegeben wird. Eine Ausnahme stellen Turbinenwerkzeuge dar, für die ein öl-freier Betrieb gewährleistet werden muss.

### Druckluftanschluß

- Das Werkzeug ist für einen Betriebsdruck (e) von 3-7 bar = 300-700 kPa = 6-7 kp/cm<sup>2</sup> ausgelegt.
- Den Druckluftschlauch vor dem Anschließen sorgfältig sauberblasen.

### Installationsempfehlung

Um die optimalen Leistungsdaten der Maschine zu gewährleisten ist nachfolgender Installationsvorschlag dringend zu beachten.



## Bedienung

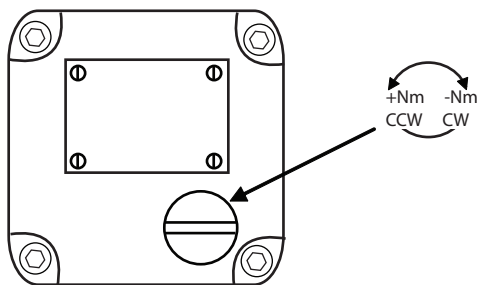
### Anzugsdrehmoment

Für genauen und sicheren Betrieb muß das Anzugsdrehmoment des Schraubendrehers im Verhältnis zur Schraubverbindung genau eingestellt werden. Die Drehmomentdaten der aktuellen Verbindung überprüfen.

The air pressure supplied by the FRL unit is set according to the pressure written on the calibration certificate at free speed (trigger fully pressed and nutrunner running freely with no load during a couple of seconds) usually 6.0 - 6.3 bar.

### Einfach Drehmomenteinstellung

Drehmomenteinstellung nur mit Einstellwerkzeug vornehmen. Das Drehmoment steigt, wenn die Stellschraube entgegen dem Uhrzeigersinn gedreht wird. Nach Einstellung Drehmoment auf entsprechendem Messmittel überprüfen.

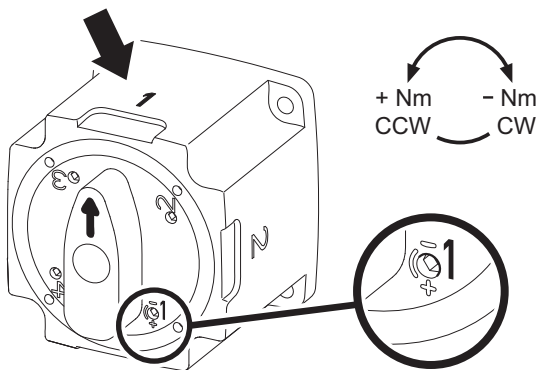


c000850

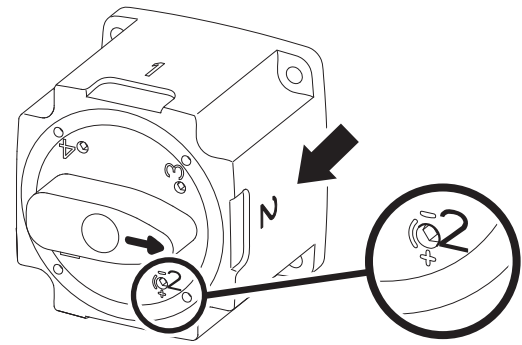
- ⓘ Wenn das Abschaltventil schon bei der Einschraubdrehzahl abschaltet, den Luftdruck reduzieren.

### 4-Fach Drehmomenteinstellung

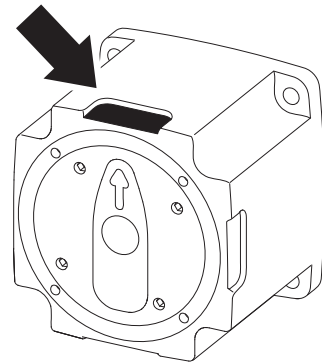
Um das Drehmoment 1 einzustellen, Drehknopf auf Referenzmarke stellen. Stellschraube 1 entsprechend Drehrichtung verstellen. Einstellen Drehmoment 2 Drehknopf auf Referenzmarke stellen. Stellschraube 2 entsprechend Drehrichtung verstellen. usw.



cs000800



cs001040

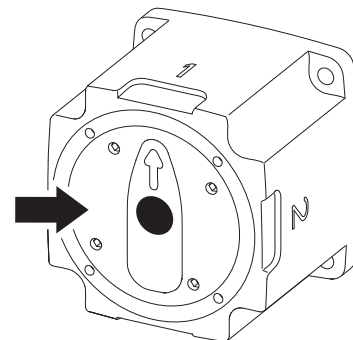


cs001050

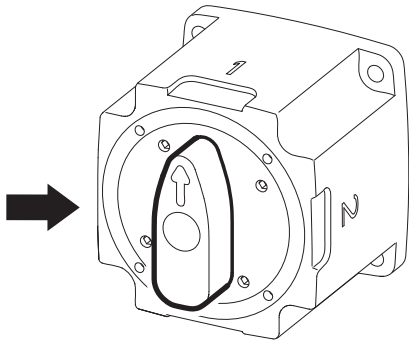
Beachte: Drehmomentangaben an den entsprechenden Feldern des Gehäuses zu vermerken.

### Bedienungsanleitung und Drehmomentauswahl

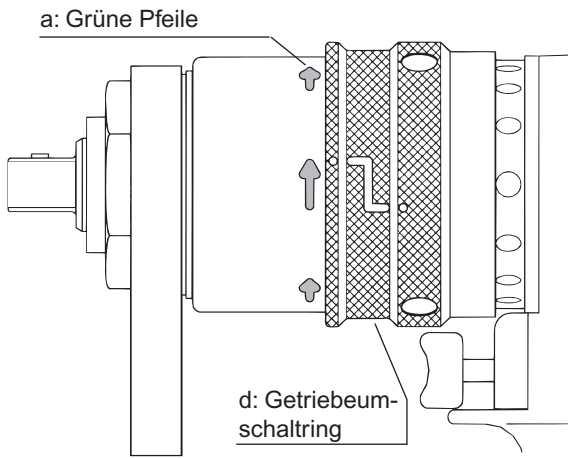
Drücke den schwarzen Knopf. Drehe den Drehkopf in die entsprechende Position. Drücke den schwarzen Knopf rein.



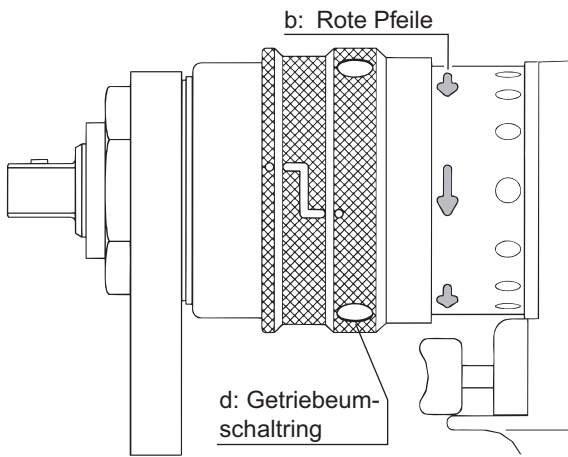
cs000810



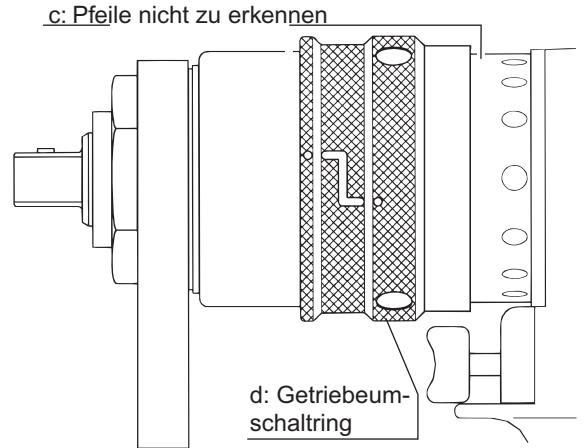
**Stellung des Schaltrings - Festziehposition**



**Stellung des Schaltrings - Löseposition**




**Stellung des Schaltrings - Mittlere Position**



**Anweisungen für den Linkslauf**

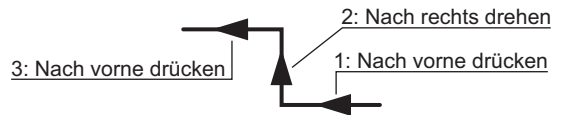
Wenn der Schaltring keine automatische Rückstellungspositionierung hat, immer die Schaltstellung kontrollieren bevor die Maschine gestartet wird. Die Rechts- oder Linkslauf Drehrichtungspfeile müssen zu sehen sein.

**WARNUNG**



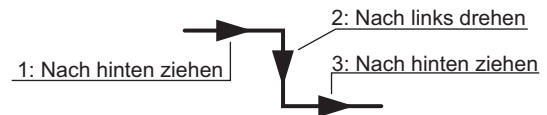
Nie die Drehrichtungsumkehr schalten, wenn die Maschine läuft.  
 Nie die Maschine starten, wenn der Schaltring sich in Mittelstellung befindet.

Betätige den Stelling wie folgt: Nach vorne schieben - rechts drehen - nach vorne schieben. Siehe unten.



Die roten Pfeile zeigen die Drehrichtung an. Die Maschine läuft nach dem Starten linksrum.

Zurückstellen auf Rechtslauf: Ring zurückziehen – nach links drehen – zurückziehen. Siehe unten.

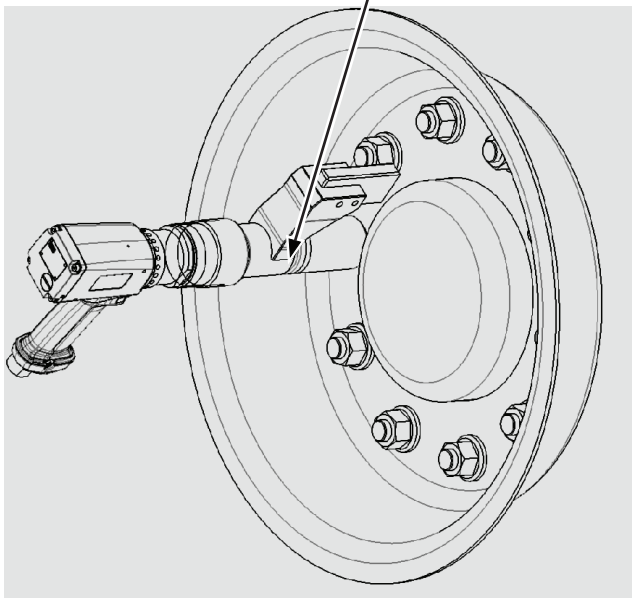
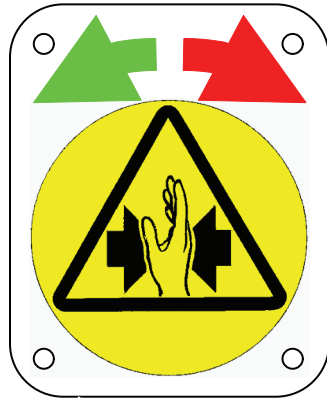


Die grünen Pfeile zeigen die Drehrichtung an. Die Maschine läuft nach dem Starten rechtsrum. Es ist nicht notwendig den Ring per Hand in Position zu halten.

**Extended reaction arm with blade**

Check that the blade is firmly fitted into the reaction arm.

Apply the reaction bar in the wanted position - opposite the direction of the machine - before starting the machine.



cs/000860

## Wartung

### Für höchste Leistung

Für beibehaltene Leistung und maximale Lebensdauer ist regelmäßige Schmierung unerlässlich. Der Motor ist mit Öl zu schmieren, die am Luftanschluß der Druckluft oder dem Werkzeug zugeführt wird.

Bei der regelmäßigen Wartung der Maschine sind die Anlage, die Planetengetriebe, Nadellager und Kugellager mit Fett zu schmieren.

Das Winkelgetriebe und die Kupplung müssen mit einem Molybdän-Disulfid-Fett geschmiert werden, z.B. Molykote BR2 Plus oder ein anderes, entsprechendes Fett.

Nur hochqualitative Schmiermittel verwenden. Die in der Tabelle angegebenen Öle und Fette sind Beispiele für Schmiermittel, die empfohlen werden.

### Rostschutz und Reinigung des Geräteinnenteils

Wasser in der Druckluft, Staub und Abnutzungspartikel verursachen Rost und hohen Verschleiß von Lamellen, Ventilen usw. Ein Luftfilter sollte nahe beim Gerät installiert werden (s. "Luftqualität").

### Serviceanleitung

Überholung und vorbeugende Wartung werden in regelmäßigen Abständen einmal jährlich oder nach maximal 250.000 Arbeitszy-

klen empfohlen, je nach dem, was früher eintritt. Häufigere Überholung ist erforderlich, sollte es zwecks Wartung außer Betrieb genommen werden.

Das Sieb am Lufterlaß und der Abluftfilter sollten häufig gereinigt werden, da sie sich sonst zusetzen, wodurch die Leistungsfähigkeit des Gerätes herabgesetzt wird.

Bei den Überholungen müssen alle Teile sorgfältig gereinigt und defekte oder verschlissene Teile (z.B. O-Ringe, Lamellen) müssen ausgetauscht werden. Alle O-Ringe müssen vor der Montage geschmiert werden. Besonders wichtig sind die O-Ringe in der Impulseinheit.

### Auseinandernehmen / Zusammenbau

Es ist wichtig, dass die Gewindeanschlüsse der Maschine korrekt festgezogen sind, d.h. in Übereinstimmung mit den Daten in den Explosionszeichnungen.

- ⓘ Vor dem Zusammenbau die Gewinde mit Fett schmieren.  
Beim Zusammenbau: Alle O-Ringe mit Fett schmieren.

### Reinigung

Alle Teile sorgfältig in Lackbenzin oder einem ähnlichen Reinigungsmittel reinigen.

Um Verstopfung und Leistungsverringerung zu vermeiden, kann es erforderlich sein, das Sieb (falls verwendet) und den Auslaßfilter zwischen den Überholungen zu reinigen.

### Kontrolle


Nach der Reinigung alle Teile kontrollieren. Beschädigte oder verschlissene Teile müssen ausgetauscht werden.

### Schmierung

Besonders die Getriebe, Ventile und die Kupplung mit Schmiermittel schmieren, das Molybdändisulfid enthält (z.B. Molykote BR2 Plus). Siehe Explosionszeichnungen und Abbildungen in der Wartungsanweisung.

### Schmiermittelempfehlungen Schrauber

Marke	Lager	Freilaufeinheit (Zahnräder +Zahnkranz)	Freilaufeinheit
BP			Energrease LS-EP2
Castrol	Speherol EP L2		
Esso	Beacon EP2		Beacon EP2
Q8	Rembrandt EP2		Rembrandt EP2
Mobil	M.Grease XHP 222		
Shell	Alvania EP2		Alvania EP2
Texaco	Multifak EP2		
Molycote			
Lubricating		Suntemp LE 9102	
STP		Oil treatment	

Part no	8940164681	
Issue no	0	
Series no	1	
Date	2008-06	
Page	22	

Marke	Getriebe	Universal
Bp		Energrease LS-EP2
Castro		Spheerol EP L2
Esso		Beacon EP2
Q8		Rembrandt EP2
Mobil		Mobilegrease XHP 222
Shell		Alvania EP2
Texaco		Multifak EP2
Molycote	BR2 Plus	

## Sicherheitshinweise

### Warnung

Lesen Sie die Bedienungsanleitung vor der Benutzung der Maschine aufmerksam durch.

Die Maschine, inkl. Befestigungen und Zubehörteile, darf nur für den vorgesehenen Zweck verwendet werden.

Alle örtlichen Vorschriften, die Installation, Bedienung und Wartung betreffen, müssen immer beachtet werden.

Installation und Wartung darf nur von erfahrenem Personal ausgeführt werden.

Bevor Einstellungen vorgenommen werden (z.B. Auswechseln der Steckschlüssel), ist die Druckluftzufuhr zur Maschine abzuschalten.

Kontrollieren Sie die Rotationsrichtung, bevor Sie die Maschine benutzen.

Bediener eines Schraubers mit Gegenhalter sollten besonders vorsichtig sein, um Klemmverletzungen zu vermeiden. Aus Sicherheitsgründen dürfen nur erfahrene und umsichtige Bediener mit der Maschine arbeiten. Unerfahrene Personen dürfen die Maschine nicht bedienen. Siehe auch unter der Rubrik "Gegenhalter".

Die Maschine darf nur zusammen mit dem dazugehörigen Gegenhalter benutzt werden, der an die entsprechende Schraubverbindung anzupassen ist. Siehe Anleitungen unter der Rubrik "Gegenhalter".

**Niemals die Hand auf den Gegenhalter legen oder in seiner Nähe haben**, wenn das Werkzeug benutzt wird.


Überprüfen, ob der Steckschlüssel gut befestigt ist - wenn erforderlich, den Halte- oder Sperrstift auswechseln. Auch alle verschlissenen Steckschlüssel auswechseln.

Hände, langes Haar oder andere Gegenstände vom rotierenden Steckschlüssel fernhalten.

Wenn ein Aufhängebügel verwendet wird, prüfen, ob dieser einwandfrei und richtig befestigt ist.

## CP GARANTIE

- 1) Dieses CP-Produkt trägt eine Garantie von maximal 12 Monaten ab Datum des Kaufes von CP oder seinen Vertretern für Mängel, die auf Material- oder Herstellungsfehlern beruhen, unter der Voraussetzung, dass der Einsatz dieses Produktes über diesen ganzen Zeitraum hindurch auf einen einfachen Schichtbetrieb begrenzt ist. Bei Übersteigerung des Einsatzzeitraumes über einen einfachen Schichtbetreiber wird die Garantiezeit anteilig verkürzt.
- 2) Bei anscheinend auf Material- oder Herstellungsfehlern beruhenden Mängeln am Produkt innerhalb der Garantiezeit sollte das Produkt zusammen mit einer kurzen Beschreibung des angeblichen Fehlers an CP oder seine Vertreter zurückgeschickt werden. CP wird die betroffenen Teile nach eigenem Ermessen entweder kostenlos reparieren lassen oder, falls sie aufgrund von Mängeln, die auf Material- oder Herstellungsfehlern beruhen, für fehlerhaft erachtet werden, kostenlos ersetzen.
- 3) Diese Garantie verfällt für Produkte, die missbraucht, falsch gebraucht oder verändert wurden, oder die mit anderen als CP-Originalersatzteilen oder von jemand anderem als CP oder seinen vertraglichen Kundendienstvertretern repariert worden sind.
- 4) Sollten CP Kosten aufgrund der Berichtigung eines Mangels entstehen, der durch Missbrauch, falschen Gebrauch, unfallbedingte Schäden oder unbefugte Veränderungen verursacht worden ist, wird CP die Zahlung der gesamten entstandenen Kosten einfordern.
- 5) CP nimmt keine Forderungen für Arbeitskosten oder andere Ausgaben für fehlerhafte Produkte an.
- 6) Alle direkt oder indirekt entstandenen oder Folgeschäden welcher Art auch immer, die Folge eines Mangels sind, sind ausdrücklich ausgeschlossen.
- 7) Diese Garantie wird anstelle aller anderen Garantien oder Bedingungen, ausgedrückt oder impliziert, bezüglich der Qualität, handelsüblichen Brauchbarkeit oder Eignung für jeden bestimmten Zweck ausgegeben.
- 8) Niemand, ob Vertreter, Gehilfe oder Mitarbeiter von CP, ist befugt, die Bedingungen dieser beschränkten Garantie wie auch immer zu erweitern oder zu verändern.

Part no	8940164681	
Issue no	0	
Series no	1	
Date	2008-06	
Page	24	

## MANUAL DE INSTRUCCIONES

Este producto ha sido diseñado para la instalación y la retirada de elementos de rosca en madera, metal y plásticos. No puede ser utilizado para otra finalidad. Sólo para uso profesional.

### Características principales

Rango de apriete	300-900 Nm
Velocidad libre	100 r/mn (tr/mn)
Presión de trabajo	3-7 bar
Consumo de aire	19 l/s (40CFM)
Peso:	
CP7600xB	6.0 kg
CP7600xB-R	6.6 kg
CP7600xB-4P	6.3 kg
CP7600xB-R4P	6.9 kg

### Declaración de emisión de ruidos y vibraciones

Ruidos medidos según ISO15744	dB(A)
Nivel de presión sonora medido	79
Nivel de energía sonora medido	
Distribución en método y producción	3

Vibraciones medidas según EN/ISO 8662-7	m/s <sup>2</sup>
Valor de vibraciones medido	<2.5
Distribución en método y producción	

### Declaración sobre ruido y vibraciones

Los valores declarados han sido obtenidos en ensayos de laboratorio realizados según la normativa indicada y pueden utilizarse para compararlos con los valores declarados para otras herramientas que hayan sido ensayadas siguiendo la misma normativa. Los valores declarados no se pueden utilizar para evaluación de riesgos y los valores obtenidos en cada lugar de trabajo podrían alcanzar cifras superiores. Los valores reales de exposición y de riesgo de daños para cada individuo dependen del sistema de trabajo del usuario, del diseño del puesto de trabajo y de la pieza, y también del tiempo de exposición y del estado físico del usuario.

Nosotros, CP, declinamos toda responsabilidad por las consecuencias que puedan derivar de la utilización de los valores declarados, en lugar de los valores que reflejen la exposición real, en una evaluación de riesgos para las personas en un entorno de trabajo concreto sobre el que no tenemos ningún control. Esta herramienta puede provocar síndrome de vibración si no se gestiona adecuadamente su utilización. Encontrará una guía de la UE respecto a la gestión de vibraciones transmitidas al sistema mano-brazo en la página <http://www.humanvibration.com/EU/VIBGUIDE.htm> Se recomienda mantener un programa de control sanitario de detección precoz de los síntomas relacionados con la exposición a vibraciones, con objeto de modificar los procedimientos de gestión y así evitar posibles discapacidades.



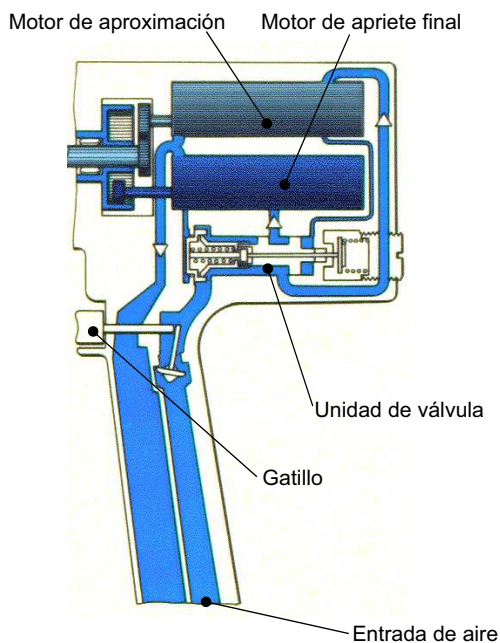
## Copyright

© Copyright 2008, CP. Reservados todos los derechos. Está prohibido todo uso indebido o copia de este documento o de parte del mismo. Esto se refiere especialmente a marcas comerciales, denominaciones de modelos, números de piezas y dibujos. Utilice exclusivamente piezas de repuesto autorizadas. Cualquier daño o defecto de funcionamiento causados por el uso de piezas no autorizadas queda excluido de la garantía o responsabilidad del producto.

## Principio de funcionamiento

En el interior de la CP7600, una unidad de válvula combina 2 funciones clave:

dirigir el aire a través de los dos motores neumáticos y cerrar el suministro de aire a la herramienta.



### Aproximación

Al apretar el gatillo, el aire fluye a través de la unidad de la válvula, llevando el aire por el motor de aproximación que gira. Este motor se mueve en una marcha lenta generando alta velocidad a bajo par.

### Cambio de motor

A medida que el resultado de carga de par aplicada en la CP7600 aumenta, el motor de aproximación va parando, provocando una mayor presión de aire dentro del motor. Bajo esta presión más alta, la válvula es empujada a otra posición.

### Apriete final

El aire es llevado a través del motor de apriete. Este motor actúa a una marcha alta generando baja velocidad a alto par.

### Cierre

A medida que la carga de par continua incrementándose, el motor de apriete va parando, provocando una mayor presión de aire dentro del motor. Cuando esta presión de aire sobrepasa la presión programada de un muelle, el pistón en la unidad de válvula es empujado, cerrando completamente la admisión de aire.

## Ajuste del cierre

La presión del muelle es ajustada al calibrar la herramienta. Una presión de aire concreta (normalmente 6.3 bar/90 psi) lleva a un par determinado.

### ADVERTENCIA



Un cambio en la presión de aire afectará al comportamiento del mecanismo de cierre. Si la presión de aire real es mayor que la que ha sido calibrada, el mecanismo de cierre operará anticipadamente y el par será menor que el esperado. Es muy importante utilizar la CP7600 a la presión de aire descrita en el certificado de calibración para alcanzar el par correcto.

## Instalación

### Calidad del aire

- Para conseguir un rendimiento óptimo y alargar al máximo la vida útil de la máquina, recomendamos utilizar aire comprimido con un punto de rocío entre +2°C y +10°C. Se recomienda la instalación de un secador de aire, tipo refrigeración, de CP.
- Instale un filtro de aire independiente de CP que elimine partículas mayores de 15 micras y más del 90% de agua líquida, lo más cerca posible de la máquina y antes de cualquier unidad de tratamiento de aire (consulte la sección de Accesorios para líneas de aire de nuestro catálogo principal). Antes de conectar la manguera, límpiela con aire a presión.
- El aire comprimido debe contener una pequeña cantidad de aceite.

Recomendamos encarecidamente la instalación de un engrasador de niebla de aceite de CP, ajustado con una frecuencia de 3-4 gotas (50mm<sup>3</sup>)/m<sup>3</sup> de consumo de aire para herramientas que funcionen con ciclos largos, o bien, un engrasador de un punto de CP para herramientas que funcionen con ciclos cortos. En relación a la lubricación de herramientas libres, a discreción del cliente, no presenta inconvenientes si el aire comprimido contiene una pequeña cantidad de aceite suministrada desde un engrasador.

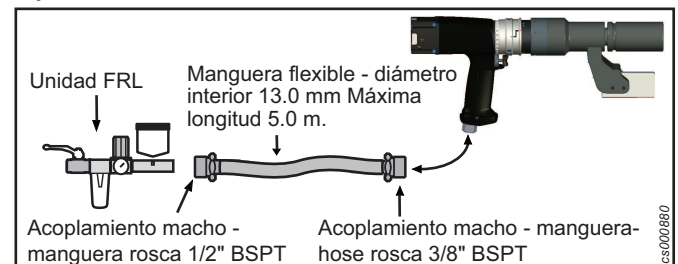
Con la excepción de las herramientas de turbina, que deben mantenerse libres de aceite.

### Conexión de aire comprimido

- La máquina está diseñada para una presión de trabajo (e) de 3–7 bares = 300–700 kPa = 6–7 kp/cm<sup>2</sup> = 44–102 lb/pulg<sup>2</sup>(g).
- Soplar aire por la manguera antes de conectarla.

### Instalación recomendada

Para el aseguramiento del correcto funcionamiento de la máquina, recomendamos encarecidamente el seguimiento de la propuesta adjunta de instalación desde la línea de aire hasta la herramienta.



Part no	8940164681
Issue no	0
Series no	1
Date	2008-06
Page	26

ES

## Manejo

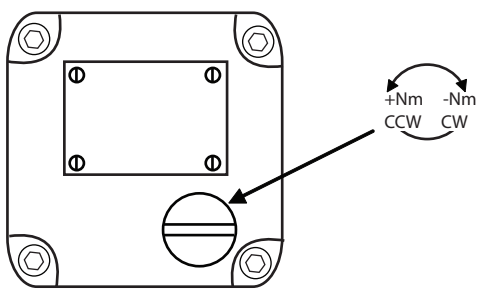
### Par de apriete

Para un funcionamiento preciso y seguro, ajuste el par de apriete del desatornillador correctamente en relación con la junta del tornillo. Compruebe la especificación del par de la junta utilizada.

La presión de aire suministrada por la unidad del FRL está programada de acuerdo a la presión descrita en el certificado de calibración a velocidad libre (gatillo presionado a fondo y multiplicador girando libre sin carga durante un par de segundos) normalmente 6.0 - 6.3 bar.

### Selector de par único

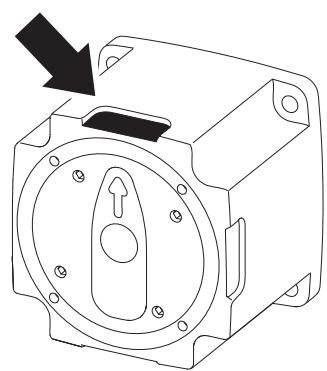
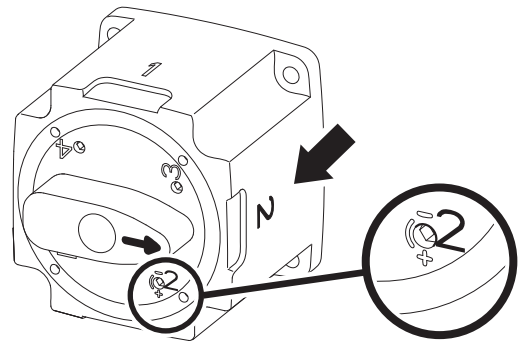
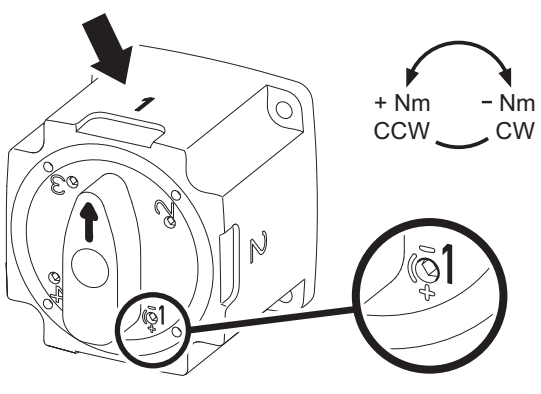
Ajuste el par concreto por medio de la llave de ajuste. El par aumenta moviendo el tornillo en sentido inverso a las agujas del reloj. Después del ajuste, compruebe el par de apriete aplicado a la junta en cuestión.



**i** Si el cierre se realiza a una velocidad alta de revoluciones, causando una alta dispersión de par, se recomienda reducir la presión de aire.

### 4- Selector de posición

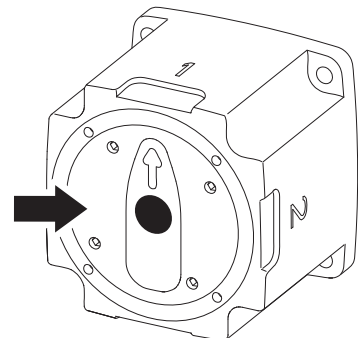
Para poner el Par 1, gire el selector rotatorio hasta la marca N° 1 en la carcasa. Introduzca el selector rotatorio en la posición 1. Mueva el tornillo de ajuste para incrementar/disminuir el par. Para poner el Par 2, gire el selector rotatorio a la marca N° 2 de la carcasa. Introduzca el selector rotatorio en la posición 2.

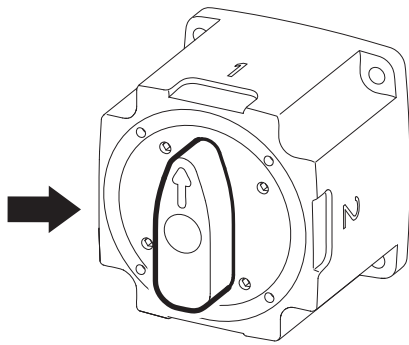


Recuerde sus ajustes de par poniendo sus propias marcas en las cuatro áreas de la carcasa.

### Instrucciones de manejo Selección del par de apriete

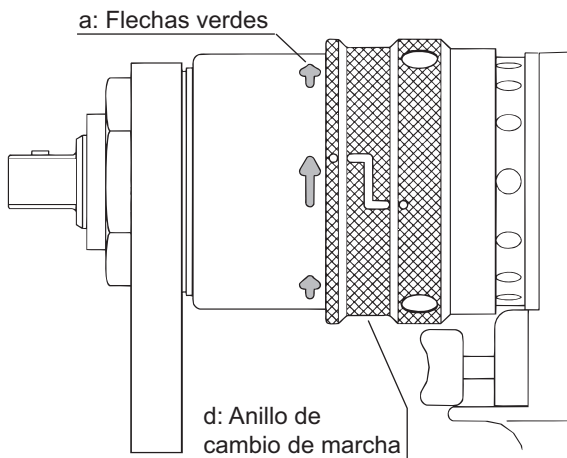
Apriete el botón negro. Mueva el selector rotatorio a la posición deseada. Apriete el selector rotatorio hacia adentro.





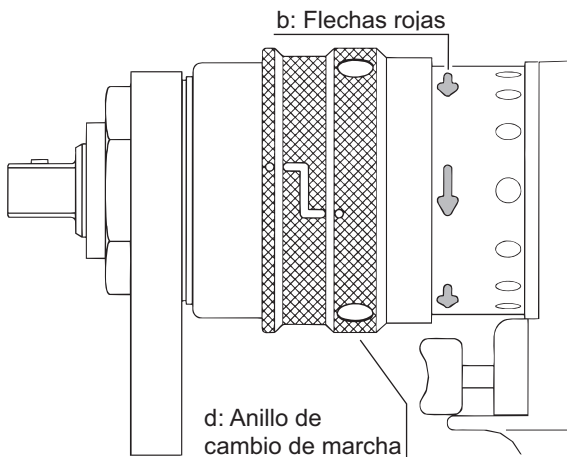
cs001060

**Posición del anillo de cambio de marcha - posición de marcha en el sentido de las agujas del reloj**



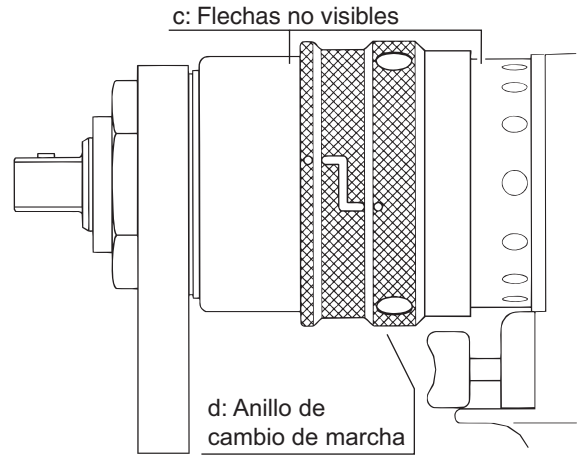
cs000940

**Posición del anillo de cambio de marcha - posición de marcha en sentido inverso a las agujas del reloj**



cs000950

**Posición del anillo de cambio de marcha - posición de marcha media**



cs000960

**Instrucciones para marcha atrás**

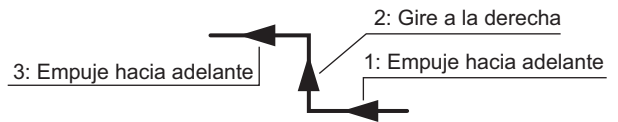
Como no existe una vuelta automática del cambio de marcha a una posición fija, compruebe siempre antes de comenzar que el cambio de marcha está en la posición de las agujas del reloj o en la posición contraria a las agujas del reloj.

**ADVERTENCIA**



Nunca cambiar de marcha cuando la máquina esté funcionando.  
Nunca poner en marcha la máquina cuando el cambio de marcha esté en la posición media.

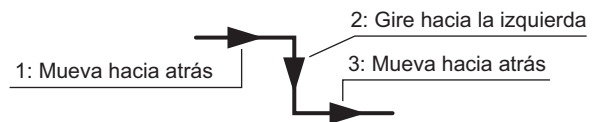
Coja el anillo de cambio de marcha con la mano y muévelo hacia adelante - derecha - adelante (véase siguiente figura):



cs000970

Las flechas rojas indican la dirección de giro. P.ej. la máquina funcionará en sentido contrario a las agujas del reloj cuando comience.

Cuando se vuelva a cambiar a la posición de las agujas del reloj, tire del anillo hacia atrás - izquierda - atrás (véase siguiente figura):



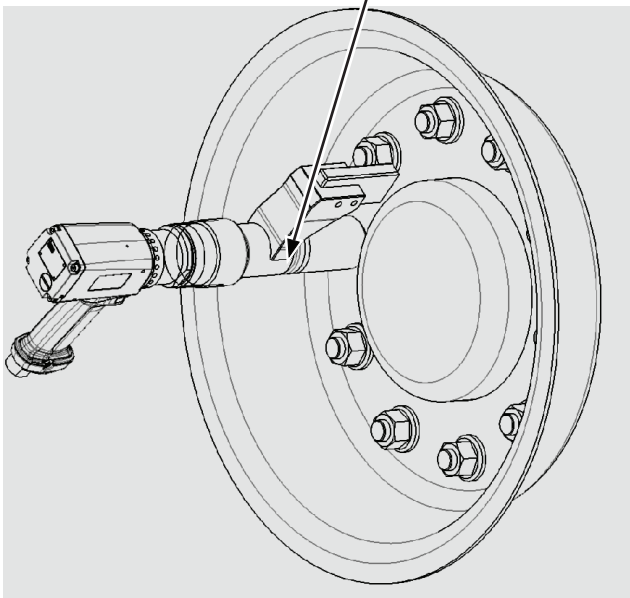
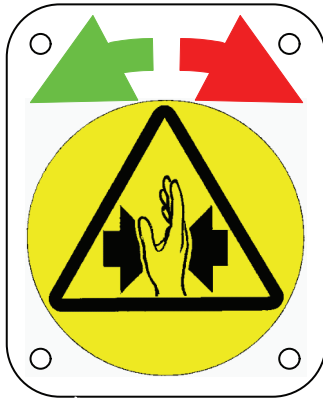
cs000980

Las flechas verdes indican la dirección de funcionamiento, p.ej. la máquina funcionará en el sentido de las agujas del reloj cuando comience. No es necesario mantener el anillo en ambas posiciones con la mano.

**Brazo de reacción alargado con barra**

Compruebe que la barra está unida firmemente al brazo de reacción.

Aplique la barra de reacción en la posición deseada - contraria a la dirección de la máquina - antes de poner en funcionamiento la máquina.



cs000860

## Mantenimiento

### Para un rendimiento óptimo

Para rendimiento máximo y operación sin problemas, es importante lubricar la herramienta periódicamente. Lubricar el motor con aceite, es decir, introduciendo gotas de aceite en el aire comprimido o directamente en la entrada de aire.

El gatillo, los engranajes planetarios, los cojinetes de bolas y los cojinetes de agujas se lubrican con grasa al efectuar la revisión periódica de la herramienta.

Lubricar el engranaje angular y el embrague con grasa que contenga bisulfuro de molibdeno, p. ej. Molykote BR2 Plus u otras marca equivalente.

Usar lubricantes de buena calidad. Los aceites y grasas mencionados en la tabla son ejemplos de lubricantes recomendados.

### Protección contra el óxido y limpieza interna

El agua en el aire comprimido, el polvo y las partículas de desgaste producen óxido, agarrotamiento de las aletas, válvulas, etc. Se debe instalar un filtro de aire cerca de la máquina (ver "Calidad del aire").

### Instrucciones de servicio

Se recomienda hacer revisiones periódicas y mantenimiento preventivo a intervalos regulares, una vez al año o tras 250.000 aprietes, lo que suceda primero. Pueden ser necesarias revisiones

más frecuentes, si la máquina se utiliza con un par de apriete elevado y largos tiempos de apriete. Si la máquina no funciona correctamente, debe ser llevada inmediatamente a inspección.

El filtro situado en la entrada de aire y el silenciador del escape deben limpiarse con frecuencia o ser sustituidos a fin de impedir el agarrotamiento que disminuye la capacidad.

Durante las revisiones, todas las piezas deben limpiarse con precisión y las piezas defectuosas o desgastadas (por ejemplo, juntas tóricas, aletas) deben sustituirse.

### Montaje y desmontaje

Es de suma importancia que las conexiones de rosca de la herramienta se aprieten correctamente, es decir, de acuerdo con las especificaciones de los diagramas de composición.

**i** Antes del montaje, lubricar las roscas con grasa. Al efectuar el montaje: Lubricar todos los aros tóricos con grasa.

### Limpieza

Limpie detenidamente todas las piezas con aguarrás o un agente limpiador similar. Para evitar los atascos y la pérdida de potencia, limpie el filtro (si usa uno) y el filtro de escape entre servicios de mantenimiento.

### Inspección

Tras la limpieza, inspeccione todas las piezas y cambie todas las piezas dañadas o desgastadas.

### Lubricación

Lubrique sobre todos los engranes, la válvula y el embrague con una grasa que contenga bisulfuro de molibdeno (por ejemplo Molykote BR2 Plus). Véanse los diagramas de composición y las figuras de la sección de Instrucciones de servicio.

### Guía de engrase Aprietatuercas

Marca	Cojinetes	Unidad de rueda libre (ruedas de engranajes+ corona)	Rueda libre
BP			Energrease LS-EP2
Castrol	Spheerol EP L2		
Esso	Beacon EP2		Beacon EP2
Q8	Rembrandt EP2		Rembrandt EP2
Mobil	M.Grease XHP 222		
Shell	Alvania EP2		Alvania EP2
Texaco	Multifak EP2		
Molycote			
Lubricating		Suntemp LE 9102	
STP		Oil treatment	

Marca	Engranajes	Objetivo general
Bp		Energrease LS-EP2
Castro		Spheerol EP L2
Esso		Beacon EP2
Q8		Rembrandt EP2
Mobil		Mobilegrease XHP 222
Shell		Alvania EP2
Texaco		Multifak EP2
Molycote	BR2 Plus	

## Instrucciones de seguridad

### Advertencia

Asegurarse de estar familiarizado con las instrucciones de operación antes de usar esta máquina.

La máquina, junto con todos los adaptadores y accesorios, sólo deberá usarse para el objeto de diseño.

Deberán observarse en todo momento todas las normas de seguridad de la legislación local relativas a instalación, operación y mantenimiento de la máquina.

La instalación y el servicio sólo deberán efectuarlas personal cualificado.

Antes de hacer ajuste alguno (p.ej. cambiar adaptador), desconectar la máquina de la tubería de aire comprimido.

Compruebe la dirección de la rotación antes de utilizar la máquina.

El operario de un aprietatuercas con barra de reacción de par deberá tener especial cuidado para evitar las lesiones por estrujamiento. Por razones de seguridad, no permitir que nadie use la máquina a menos que se trate de una persona adiestrada y completamente familiarizada con el funcionamiento de la máquina bajo distintas circunstancias.

**La máquina sólo debe usarse con la barra de reacción correspondiente** adaptada a la aplicación de específica. Ver también las instrucciones bajo la rúbrica "Barra de reacción".

No poner nunca la mano sobre la barra de reacción de par ni cerca de ella mientras se esté usando la herramienta.

Controlar que el adaptador de fuerza está debidamente fijado. Reemplazar el pasador de retención o de cierre cuando sea necesario. Reemplazar también todo adaptador gastado.

Mantener las manos, el pelo largo y otros objetos alejados del adaptador en rotación.

Cuando se use un gancho de suspensión, comprobar que está en buenas condiciones y debidamente fijado.

## **GARANTÍA CP**

- 1) Este producto CP se garantiza contra materiales o mano de obra defectuosos, durante un período máximo de 12 meses a partir de la fecha de compra ya sea a CP o a cualquiera de sus agentes, siempre que su uso esté limitado a un turno de trabajo sencillo durante dicho período. Si el promedio de uso excede el de un turno de trabajo sencillo, el período de la garantía será reducido a prorrato.
- 2) Si durante el período de la garantía, el producto parece ser defectuoso cuanto a materiales o mano de obra, deberá ser devuelto a CP o a cualquiera de sus agentes, junto con una breve descripción del defecto. A su sola discreción, CP podrá disponer la reparación o el reemplazo gratis de los elementos que se consideran responsables de los materiales o mano de obra defectuosos.
- 3) Esta garantía no es aplicable a productos que han sido abusados, mal usados o alterados, o que han sido reparados usando piezas de repuesto que no sean piezas auténticas CP, o que han sido reparados por otros que no sean CP o cualquiera de sus agentes de servicio autorizados.
- 4) Si CP incurre en gastos debidos a la corrección del abuso, mal uso, daño accidental o modificación no autorizada, dichos gastos deberán ser reembolsados en su totalidad a CP.
- 5) CP no acepta ninguna reclamación en concepto de mano de obra u otros gastos pertinentes a productos defectuosos.
- 6) Todos los daños directos, fortuitos o resultantes en modo alguno de cualquier defecto serán expresamente excluidos.
- 7) Esta garantía se otorga en lugar de cualquier otra garantía, o condiciones, expresas o implícitas, referente a calidad, comerciabilidad o conveniencia para cualquier propósito dado.
- 8) Nadie, ya sea un agente, ayudante o empleado de CP, está autorizado a añadir o modificar los términos de esta garantía limitada de cualquier manera que sea.

## MANUAL DE INSTRUÇÕES

Este produto é utilizado para instalar e remover parafusos em madeira, metal ou plástico. Outras utilizações não são permitidas. Apenas para uso profissional.

### Principais características

Faixa de Torque	300-900 Nm
Velocidade Livre	100 r/mn (tr/mn)
Pressão de trabalho	3-7 bar
Ar consumido	19 l/s (40CFM)
Peso:	
CP7600xB	6.0 kg
CP7600xB-R	6.6 kg
CP7600xB-4P	6.3 kg
CP7600xB-R4P	6.9 kg

### Declaração de nível de ruído e vibração

Nível de ruído de acordo com a norma padrão ISO15744	
	dB(A)
Nível de ruído medido	79
Nível determinado da potência de ruído	
Propagação em método e produção	3

Vibrações medidas de acordo com a norma padrão EN/ISO 8662-7	
	m/s <sup>2</sup>
Valor determinado de vibração	<2.5
Propagação em método e produção	

### Declaração sobre Ruído & Vibração

Estes valores declarados foram obtidos através de testes efectuados em laboratório, de acordo com os padrões indicados e adequam-se à comparação com valores declarados resultantes de outras ferramentas testadas de acordo com os mesmos padrões. Estes valores declarados não se adequam para utilização em avaliações de risco, sendo que os valores medidos em locais de trabalho possam ser superiores. A valores actuais de exposição e o risco de danos que podem ocorrer num utilizador individual são únicos e dependem da forma como o utilizador trabalha, da peça de trabalho e do design do local de trabalho, assim como do tempo de exposição e da condição física do utilizador.

Nós, CP, não podemos ser responsabilizados pelas consequências resultantes da utilização de valores declarados, em vez de valores resultantes de uma avaliação de risco individual que reflecte a exposição actual num local de trabalho sobre o qual não temos nenhum controlo. Esta ferramenta pode provocar o síndrome de vibração das mãos e braços, caso não seja manuseada de forma adequada. Pode encontrar um guia da UE sobre a vibração das mãos e braços em

<http://www.humanvibration.com/EU/VIBGUIDE.htm>

Recomendamos um programa de vigilância médica para detectar atempadamente sintomas, que possam estar relacionados com a exposição à vibração, para que os procedimentos de manuseamento possam ser modificados, por forma a ajudar a evitar prejuízos futuros.

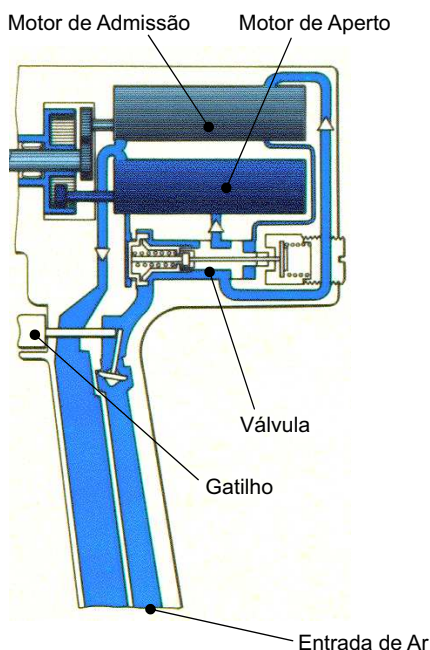
## Copyright

© Copyright 2008, CP. Todos os direitos reservados. É proibida qualquer utilização ou cópia não autorizadas do conteúdo ou parte deste. Isto aplica-se particularmente a marcas registadas, denominações de modelo, números de peças e desenhos. Utilize apenas peças autorizadas. Quaisquer danos ou funcionamento defeituoso provocados pela utilização de peças não autorizadas não serão cobertos pela Garantia ou Responsabilidade do Produto.

## Princípio de Funcionamento

Dentro da CP7600, uma válvula combina 2 funções chaves:

Direcionar o ar pelos dois motores pneumáticos e desligar a entrada de ar da ferramenta.



cs000870

### Motor de Admissão

Ao puxar o gatilho, o ar passa pela válvula, direcionando-o para o motor de admissão que gira. Este motor gira uma engrenagem de baixa transmissão que gera uma alta velocidade e baixo torque.

### Interruptor do motor

A medida que o torque é aplicado na CP7600, a potência de transmissão aumenta e o motor de admissão desacelera, causando uma pressão maior dentro do motor. Com essa pressão maior a válvula é levada para outra posição.

### Aperto

O ar é direcionado para o motor de aperto. Este motor utiliza uma engrenagem de alta transmissão, que gera uma baixa velocidade e alto torque.

### Desligamento

Enquanto o torque continua a crescer, o motor de aperto diminui a velocidade, causando pressões maiores dentro do motor. Quando a pressão excede o valor ajustado da mola, um pistão na válvula é empurrado, desligando toda a admissão de ar.

### Ajustando o desligamento

A mola de pressão é ajustada na calibração do equipamento. Uma pressão específica (geralmente 6.3 bar / 90 psi) leva a um torque específico.

## ALERTA



Uma mudança na pressão do ar afetará o funcionamento do desligamento. Se a pressão é maior do que a calibrada, o desligamento irá atuar antes e o torque será menor do que o esperado. É muito importante trabalhar com a CP7600 na pressão indicada no certificado de calibração, pois assim garante o torque correto.

## Instalação

### Qualidade do ar

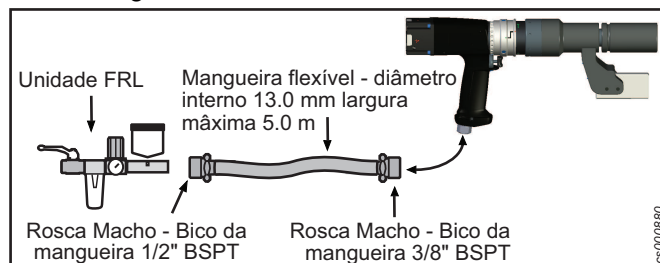
- Para um desempenho ótimo e um tempo de vida útil da máquina o mais longo possível, recomendamos a utilização de ar comprimido com um ponto de orvalho entre +2°C e +10°C. Recomenda-se a instalação de um secador de ar de refrigeração.
- A utilização de um filtro de ar separado permite a remoção de partículas sólidas maiores do que 15 microns e mais de 90% de água líquida, quando instalado o mais perto possível da máquina e antes de qualquer outra unidade de preparação de ar (consulte Acessórios de Linha de Ar no catálogo principal). Faça passar o sopro de ar pela mangueira antes de a ligar.
- O ar comprimido deve conter uma pequena quantidade de óleo. Recomendamos vivamente que instale um lubrificador de névoa de óleo, normalmente ajustado a 3-4 gotas (50 mm<sup>3</sup>)/m<sup>3</sup> de consumo de ar para um longo ciclo de funcionamento da ferramenta, ou um lubrificador de ponto único para ciclos curtos de funcionamento da ferramenta. Relativamente às ferramentas sem lubrificação, por opção do cliente, não é desvantajoso se o ar comprimido contiver uma pequena quantidade de óleo fornecido por um lubrificador. Uma exceção são as ferramentas com turbina que devem ser mantidas sem óleo.

### Ligação do ar comprimido

- A máquina foi concebida para uma pressão de trabalho (e) de 3-7 = 300-700 kPa = 6-7 kp/cm<sup>2</sup>.
- Faça passar o sopro de ar pela mangueira soprar antes de a ligar.

### Instalação Recomendada

Para garantir a capacidade correta da máquina, é fortemente recomendado seguir as propostas de instalação para a ligação de ar entre o registro e a ferramenta.



cs000880

## Manuseio

### Configuração do torque de aperto

Para uma operação precisa e segura, o torque de aperto da chave de fenda deve ser ajustado corretamente em relação à junta da

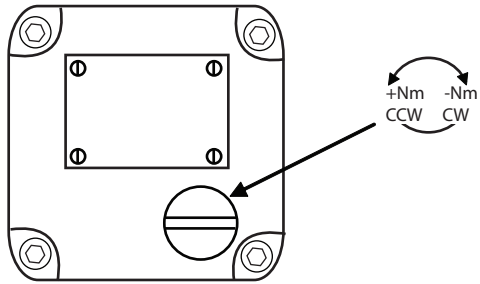


rosca. Verifique a especificação do torque de aperto para a junta em questão.

A pressão do ar dada pelo FRL é ajustada de acordo com a pressão escrita no certificado de calibração à velocidade livre (gatilho totalmente pressionado e a chave de fenda girando livremente sem carga durante alguns segundos) geralmente 6,0-6,3bar.

### Seletor de torque único

Ajustar a configuração do torque através da chave de ajustes. O torque aumenta quando se gira o parafuso no sentido anti-horário. Depois do ajuste, checar o torque de aperto dado pela junta em questão.

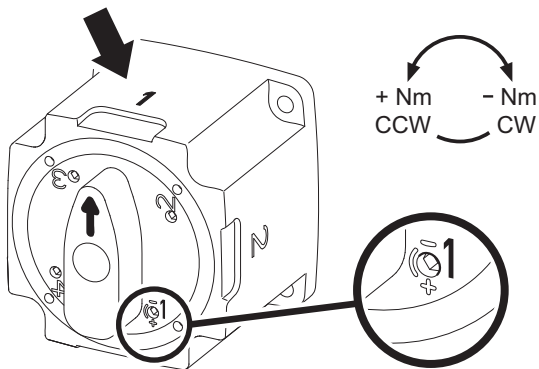


c-000850

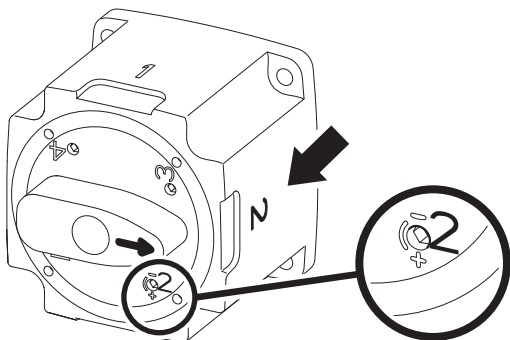
- ⓘ Caso o desligamento seja feito a altas rotações que causam uma alta escala de torque, é recomendado reduzir a pressão de ar.

### 4- Posição do seletor

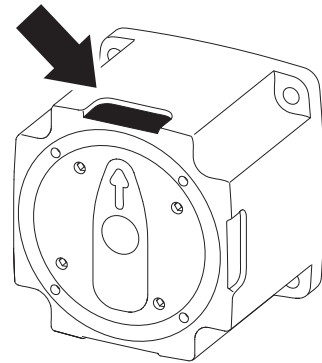
Para ajustar o Torque 1, girar o interruptor para o ponto de referência marcado na caixa. Ajustar o parafuso 1, ver a marca no interruptor como aumentar/diminuir o torque. Para ajustar o Torque 2, girar o interruptor para o ponto de referência 2 marcado na caixa. Ajustar o parafuso 2.



cs000800



cs001040

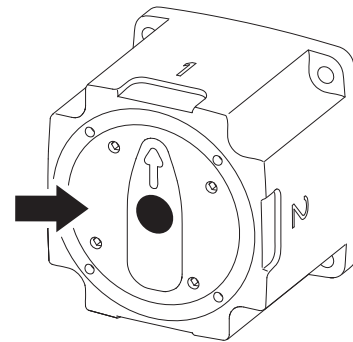


cs001050

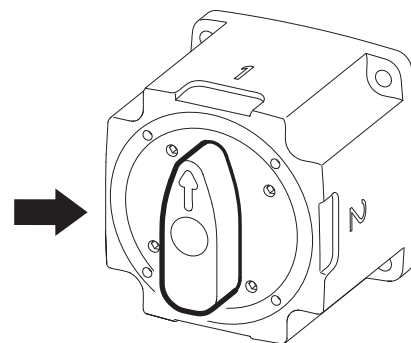
Marque na caixa as quatro áreas para se lembrar da configuração do seu torque.

### Instruções de operação Seleção de torque de aperto

Aperte o botão preto. Gire o interruptor para a posição desejada. Empurre o interruptor de volta. Posição do anel de mudança de velocidade - engrenagem no sentido horário. Posição do anel de mudança de velocidade - engrenagem no sentido anti-horário.

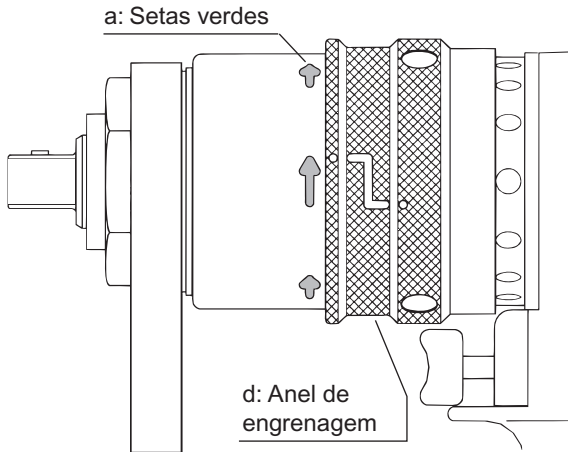


cs000810

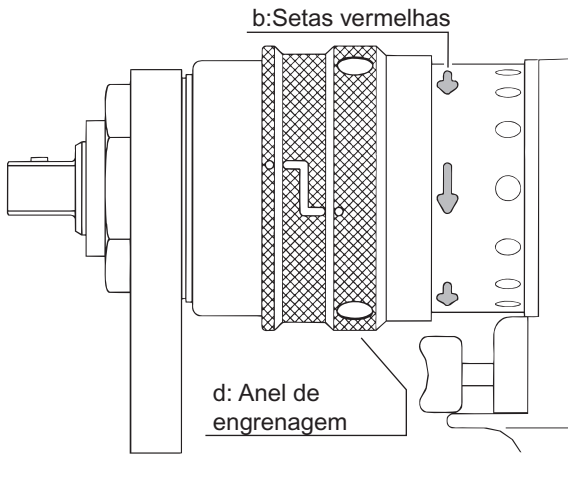


cs001060

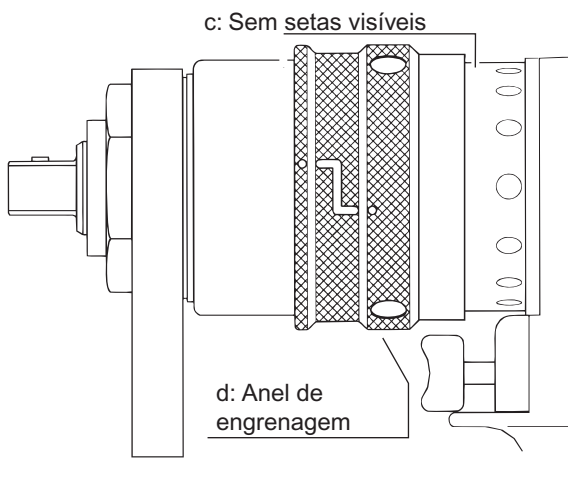
### Posição do anel da engrenagem - sentido horário



### Posição do anel de engrenagem- sentido anti-horário



### Posição do anel de engrenagem - posição central



### Instruções para reversão

Como não há um retorno automático da engrenagem para uma posição fixa, sempre checar antes de iniciá-la se ela está em posição horária ou anti-horária com todas as setas visíveis.

### ALERTA



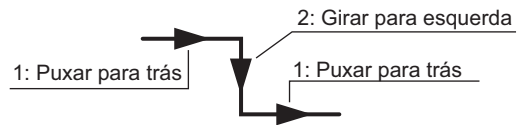
Nunca mude a engrenagem enquanto a máquina estiver funcionando.  
Nunca inicie a máquina quando a engrenagem está na posição central.

Aperte o anel da engrenagem com a mão e mova-a para frente-direita-frente, observe a figura abaixo.



As flechas vermelhas indicam a posição de funcionamento. Exemplo: a máquina irá mover no sentido anti-horário quando iniciada.

Quando retornar para posição horária, puxe o anel trás-esquerda-trás, observe a figura abaixo.

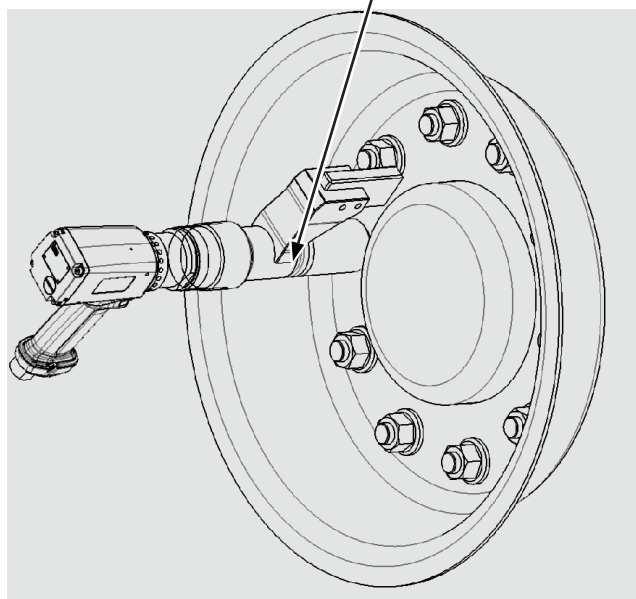
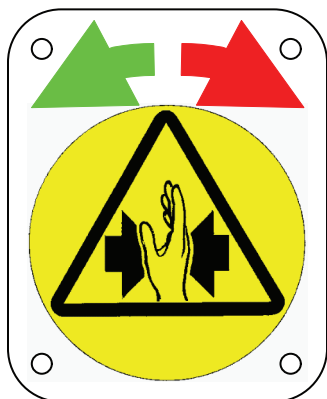


A flecha verde indica a direção do movimento. Exemplo: a máquina irá mover no sentido horário quando iniciada. Não é necessário manter o anel em ambas posições com a mão.

### Braço de reação estendido

Checar se o braço está bem encaixado.

Coloque a barra de reação na posição desejada – oposta a direção da máquina – antes de iniciá-la.



cs000860

## Manutenção

### Para o máximo rendimento

Para conseguir o melhor desempenho e funcionamento sem problemas é importante lubrificar regularmente a ferramenta. O motor deve ser lubrificado com óleo, isto é, deve-se introduzir gotas de óleo no ar comprimido ou diretamente na entrada de ar.

O gatilho, engrenagens, rolamentos de agulha e rolamentos de esferas devem ser lubrificados com graxa durante a revisão regular da máquina.

A engrenagem angular e a embreagem devem ser lubrificadas com graxa que contém dissulfato de molibdênio: Molykote BR2 Plus, por exemplo, ou alguma marca equivalente.

Use lubrificantes de boa qualidade. Os óleos e graxas mencionados na tabela são exemplos de lubrificantes recomendados.

### Proteção anti-ferrugem e limpeza interna

Água no ar comprimido, areia e partículas de desgaste causam ferrugem e irregularidades nas palhetas, válvulas, etc. Um filtro de ar deve ser instalado próximo à máquina. (ver "Qualidade do ar").

### Instruções de serviço

Recomenda-se que sejam efetuadas revisões e manutenção preventiva a intervalos regulares, uma vez por ano ou após um

máximo de 250.000 apertos, conforme o que ocorrer primeiro. Pode ser necessário efetuar uma manutenção com mais frequência, se for usado altos torques e tempo de aperto longo. Se a máquina não estiver funcionando corretamente, deverá ser retirada imediatamente para inspeção.

O crivo de entrada de ar e o silenciador do tubo de escape devem ser limpos com frequência ou substituídos, a fim de evitar a sua obstrução, o que reduz a capacidade de trabalho.

Durante as revisões, todas as peças devem ser limpas cuidadosamente e as defeituosas ou gastas devem ser substituídas.

### Desmontagem / Montagem

É importante que as ligações roscadas da máquina estejam apertadas corretamente, de acordo com as especificações da vista explodida.

**i** Antes de montar: Lubrificar roscas com graxa. Ao montar: Lubrificar anéis com graxa.

### Limpeza

Limpe muito bem todas as peças com diluente ou com um agente de limpeza semelhante.

Para evitar entupimento e perda de potência, pode ser necessário limpar o filtro de rede (se utilizado) e o filtro de escape entre as revisões.

### Inspeção


Depois da limpeza, inspecionar todas as peças. As peças danificadas ou desgastadas devem ser substituídas

### Lubrificação

Lubrifique especialmente as engrenagens, a válvula e a embreagem com graxa contendo bissulfeto de molibdênio (por exemplo Molykote BR2 Plus). Consultas as vistas explodidas e as figuras nas instruções de serviço.

### Chave de fenda com guia Aparafusadoras

Marca	Rolamentos	Unidade de roda livre (rodas dentadas+coroa)	Roda livre
BP			Energrease LS-EP2
Castrol	Spheerol EP L2		
Esso	Beacon EP2		Beacon EP2
Q8	Rembrandt EP2		Rembrandt EP2
Mobil	M.Grease XHP 222		
Shell	Alvania EP2		Alvania EP2
Texaco	Multifak EP2		
Molycote			
Lubricating		Suntemp LE 9102	
STP		Oil treatment	

Part no	8940164681	
Issue no	0	
Series no	1	
Date	2008-06	
Page	36	

Marca	Engrenagem	Propósito geral
Bp		Energrease LS-EP2
Castro		Spheerol EP L2
Esso		Beacon EP2
Q8		Rembrandt EP2
Mobil		Mobilegrease XHP 222
Shell		Alvania EP2
Texaco		Multifak EP2
Molycote	BR2 Plus	

## Instruções de Segurança

### Atenção

Assegure-se de que compreendeu bem as instruções antes de usar esta máquina.

A máquina, juntamente com todas as ligações e acessórios, não deve nunca ser usada para fins diferentes aos destinados.

Todas as normas de segurança localmente legisladas relativas a instalação, operação e manutenção devem ser sempre respeitadas.

Confie a instalação e a assistência apenas a pessoal competente.

Antes de efectuar quaisquer ajustes (como substituir adaptadores) desligue a máquina da rede de ar comprimido.

Verifique a direção da rotação antes de usar a máquina.

Os operadores de aparafusadoras com barra de reacção de binário devem ter o cuidado especial para evitarem lesões devidas a compressão. Por razões de segurança – nunca permita que pessoas não habituadas ou que não saibam como a máquina trabalha em diversas circunstâncias, trabalhem com a máquina. Veja na secção intitulada “Barra de reacção”.

**A máquina só deve ser usada juntamente com a sua barra de reacção de binário**, a qual está adaptada à junta com parafuso apropriada. Ver também as instruções sob o título “Barra de reacção”

Nunca ponha a mão sobre ou perto da barra de reacção enquanto a máquina estiver em acção.

Verifique se o adaptador está correctamente apertado. Substitua o pino retentor ou bloqueador sempre que necessário. Substitua também os adaptadores de soquete gastos.

Mantenha as mãos, cabelos compridos ou outros objectos afastados do adaptador em rotação.

Quando usar um olhal de suspensão, verifique se ele está em boas condições e correctamente apertado.

## GARANTIA CP

- 1) Este produto CP está garantido contra defeito de fabrico ou de material, pelo prazo máximo de 12 meses a contar da data da compra feita à CP ou aos seus agentes, com a condição de que a utilização do produto se tenha limitado ao funcionamento em turno único durante o referido período. Caso a utilização tenha ultrapassado os limites do funcionamento em turno único, o período de garantia será reduzido proporcionalmente.
- 2) Caso o produto apresente sinais de defeito de fabrico ou de material durante o período de garantia, deverá ser devolvido à CP ou aos seus agentes, juntamente com uma breve descrição do suposto defeito. Ficará a critério exclusivo da CP a decisão de reparar ou substituir gratuitamente os artigos considerados defeituosos devido a erro de fabrico ou de material.
- 3) A presente garantia não se aplicará a produtos que tenham sido submetidos a abuso, utilização incorrecta ou modificações, ou que tenham sido reparados com outras peças que não as peças sobresselentes genuínas CP, ou por outro agente que não o próprio fabricante CP ou um técnico de reparações autorizado pelo mesmo.
- 4) Caso a CP incorra em alguma despesa na reparação de uma falha resultante de abuso, utilização incorrecta, dano acidental ou modificação não autorizada, tal despesa deverá ser liquidada na íntegra.
- 5) A CP não aceita qualquer reclamação relativa a mão-de-obra ou despesas de outra natureza, que diga respeito a produtos defeituosos.
- 6) Quaisquer danos directos, acidentais ou consequenciais que decorram de qualquer defeito estão expressamente excluídos.
- 7) A presente garantia substitui todas as demais garantias, ou condições, expressas ou implícitas, no que respeita a qualidade, viabilidade comercial ou adequação do produto a qualquer finalidade específica.
- 8) Nenhuma pessoa, seja agente, empregado ou funcionário da CP, está autorizada a fazer aditamentos ou modificar os termos desta garantia limitada, seja de que forma for.

Part no	8940164681
Issue no	0
Series no	1
Date	2008-06
Page	38



IT

## MANUALE DI ISTRUZIONI

Questo prodotto è progettato per avvitare e svitare viti da legno, metallo e plastica. Non è consentito nessun altro utilizzo. Solo per uso professionale.

### Caratteristiche principali

Intervallo di coppia	300-900 Nm
Velocità a vuoto	100 r/mn (tr/mn)
Pressione di funzionamento	3-7 bar
Consumo d'aria	19 l/s (40CFM)
Peso:	
CP7600xB	6.0 kg
CP7600xB-R	6.6 kg
CP7600xB-4P	6.3 kg
CP7600xB-R4P	6.9 kg

### Dichiarazione dell'emissione di rumore e di vibrazioni

#### Emissione sonora misurati in conformità ISO15744dB(A)

Livello di pressione sonora misurato	79
Livello di energia sonora determinato	
Distribuzione in metodo e produzione	3

#### Emissione di vibrazione misurati in conformità a EN/ISO 8662-7

Valore delle vibrazioni misurato	$m/s^2$ <2.5
Distribuzione in metodo e produzione	

### Dichiarazione su vibrazioni e rumorosità

I valori qui dichiarati sono stati ottenuti mediante test eseguiti in laboratorio conformemente alla direttiva o agli standard indicati e sono idonei al raffronto con i valori dichiarati di altri utensili testati in conformità alla medesima direttiva o standard. I valori qui dichiarati non sono adeguati a un utilizzo per la valutazione del rischio e i valori misurati nei singoli luoghi di lavoro potrebbero essere più elevati. I valori di esposizione effettivi e il rischio di lesioni per ogni singolo operatore sono unici e dipendono dal modo in cui lavora l'operatore, dal pezzo e dalla struttura della stazione di lavoro, nonché dai tempi di esposizione e dalle condizioni fisiche dell'operatore. Nella valutazione del rischio individuale in un contesto operativo sul quale l'azienda non può esercitare alcun controllo, non può essere ritenuta responsabile per le eventuali conseguenze derivanti dall'utilizzo dei valori dichiarati anziché dei valori relativi all'esposizione effettiva.

Noi, CP, non possiamo essere ritenuti responsabili delle conseguenze derivanti dal considerare i livelli dichiarati anziché i reali livelli di esposizione, in singole valutazioni di rischio, nelle situazioni di lavoro di cui non abbiamo alcun controllo. Se non utilizzato in modo idoneo, questo utensile può provocare la sindrome da vibrazioni mano-braccio. Per una guida UE sulla gestione delle vibrazioni mano-braccio, consultare l'indirizzo internet <http://www.humanvibration.com/EU/VIBGUIDE.htm> Si raccomanda l'adozione di un programma di controllo sanitario finalizzato a individuare i primi sintomi di un'eventuale esposizione alle vibrazioni, affinché sia possibile modificare le procedure di gestione e aiutare a prevenire disabilità significative.



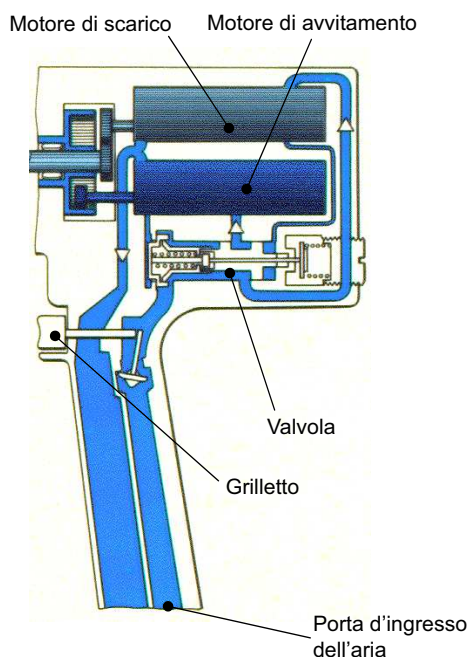
## Copyright

© Copyright 2008, CP. Tutti i diritti riservati. È vietata la riproduzione totale o anche solo parziale del presente documento salvo previa autorizzazione, specialmente per quanto concerne i marchi depositati, le denominazioni dei modelli, i numeri di codice e le illustrazioni. Si raccomanda di impiegare esclusivamente componenti autorizzati. Gli eventuali danni o difetti di funzionamento dovuti all'uso di componenti non autorizzati non sono coperti né dalla garanzia né dalle eventuali rivendicazioni di responsabilità sul prodotto.

## Funzionamento

All'interno del CP7600 è presente una valvola che svolge 2 funzioni fondamentali:

dirigere l'aria attraverso i due motori pneumatici e interrompere l'erogazione di aria all'attrezzo.



cs000870

### Scarico

Quando si tira il grilletto, il flusso d'aria attraversa la valvola e si indirizza verso il motore di scarico, che ruota. Tale motore è dotato di un basso rapporto di trasmissione che genera alta velocità e coppia ridotta.

### Interruttore del motore

Quando al CP7600 si applica il carico di coppia, il motore di scarico rallenta, producendo un aumento della pressione interna dell'aria. A causa dell'aumento di pressione, la valvola viene spinta verso un'altra posizione.

### Avvitamento

L'aria è quindi diretta verso il motore di avvitamento. Tale motore è dotato di un alto rapporto di trasmissione che genera bassa velocità e coppia elevata.

### Chiusura

Quando il carico di coppia continua ad aumentare, il motore di avvitamento rallenta, producendo un aumento della pressione interna dell'aria. Quando la pressione dell'aria supera la pressione specifica di una molla, nella valvola viene spinto un pistone, chiudendo completamente il passaggio dell'aria.

## Regolazione della chiusura

La pressione della molla viene regolata durante la calibrazione dell'attrezzo. Una determinata pressione dell'aria, di solito 6,3 bar / 90 psi, produce una specifica coppia.

### ATTENZIONE



Ogni cambiamento della pressione dell'aria influisce sul funzionamento della chiusura. Se la pressione dell'aria è superiore alla pressione di calibrazione, la chiusura si attiverà prima e la coppia sarà inferiore rispetto al valore atteso. Per ottenere la coppia adeguata, è importante che il CP7600 funzioni alla pressione dell'aria indicata sul certificato di calibrazione.

## Installazione

### Qualità dell'aria

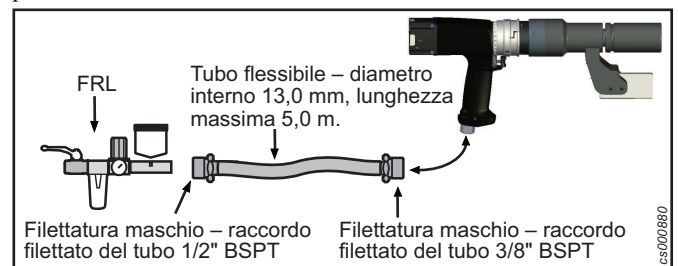
- Per ottenere le massime prestazioni e durata della macchina, utilizzare aria compressa con punto di rugiada compreso tra +2°C e +10°C. Si raccomanda l'installazione di un essiccatore-refrigeratore d'aria.
- Utilizzare un filtro dell'aria separato che rimuova i corpi solidi di grandezza superiore a 15 micron e oltre il 90% dell'acqua, installandolo il più vicino possibile alla macchina e a monte di qualsiasi altra unità di trattamento dell'aria (vedere Accessori per il trattamento dell'aria nel nostro catalogo principale). Pulire il flessibile prima di collegarlo.
- L'aria compressa deve contenere una piccola quantità d'olio. Si raccomanda di installare un lubrificatore a nebbia d'olio, generalmente impostato su 3-4 gocce (consumo d'aria 50 mm<sup>3</sup>/m<sup>3</sup>), per cicli di funzionamento prolungati oppure un lubrificatore monopunto per brevi cicli di funzionamento. Negli attrezzi che non necessitano di lubrificazione, la piccola quantità d'olio nell'aria compressa, fornita da un lubrificatore, non comporta alcun problema. Un'eccezione è rappresentata dagli attrezzi a turbina, che devono essere mantenuti privi d'olio.

### Collegamento alla rete dell'aria compressa

- L'utensile è stato progettato per una pressione di esercizio massima (e) di 3–7 bar = 300–700 kPa = 6–7 kp/cm<sup>2</sup>.
- Prima di collegare il flessibile, pulirlo con aria.

### Installazione consigliata

Per sfruttare al meglio le capacità dell'attrezzo, consigliamo fortemente di seguire le istruzioni di installazione allegate, dalla punta di maschiatura della rete all'attrezzo.



cs000880

Part no	8940164681
Issue no	0
Series no	1
Date	2008-06
Page	40

IT

## Uso

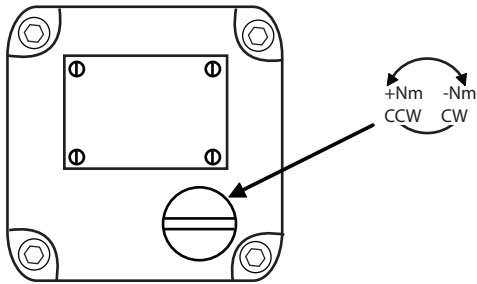
### Coppia di serraggio

Per il corretto funzionamento e la massima sicurezza, la coppia di serraggio dell'avvitatore deve essere regolata correttamente in relazione al giunto a vite. Controllare la coppia effettiva del giunto.

La pressione dell'aria fornita dall'FRL è impostata in base alla pressione scritta sul certificato di calibrazione con velocità a vuoto (grilletto premuto completamente e serradadi che ruota senza carico per un paio di secondi) solitamente pari a 6,0 - 6,3 bar.

### Selettore per coppia singola

Definire le impostazioni di coppia tramite la chiave di regolazione. La coppia aumenta quando la vite viene ruotata in senso antiorario. Dopo la regolazione, verificare la coppia di avvitamento data al giunto in questione.

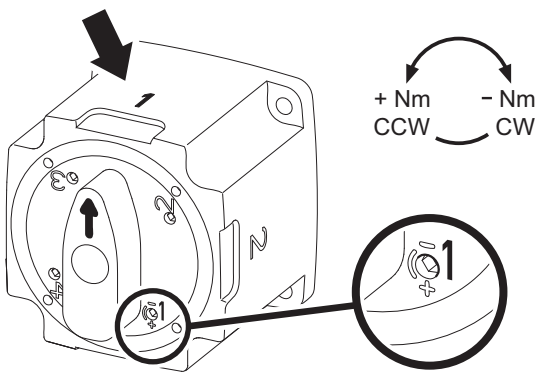


c000850

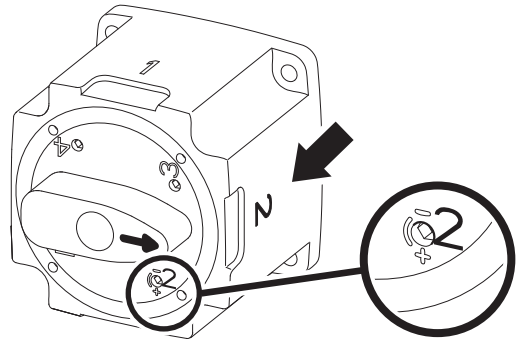
- ⓘ Se la chiusura ha luogo a una velocità elevata di rotazione, provocando una riduzione della coppia, si consiglia di limitare la pressione dell'aria.

### Selettore a 4 posizioni

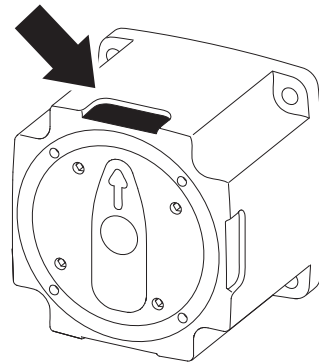
Per impostare la coppia 1, spostare il selettore ruotante sul punto di riferimento segnato sull'involucro. Impostare la vite di regolazione 1. Fare riferimento al segno sull'interruttore come se si volesse aumentare/ridurre la coppia. Per impostare la coppia 2, spostare il selettore ruotante sul punto di riferimento 2 segnato sull'involucro. Impostare la vite di regolazione 2.



cs000800



cs001040

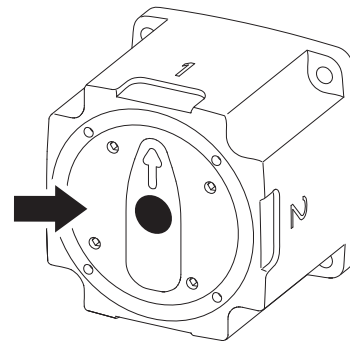


cs001050

Ricordare le impostazioni di coppia inserendo i propri marcatori sulle quattro zone dell'involucro.

### Istruzioni di funzionamento Selettore della coppia di avvitamento

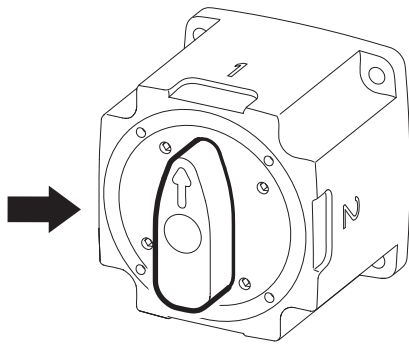
Premere il tasto nero. Spostare il selettore ruotante sulla posizione desiderata. Premere all'indietro il selettore ruotante.



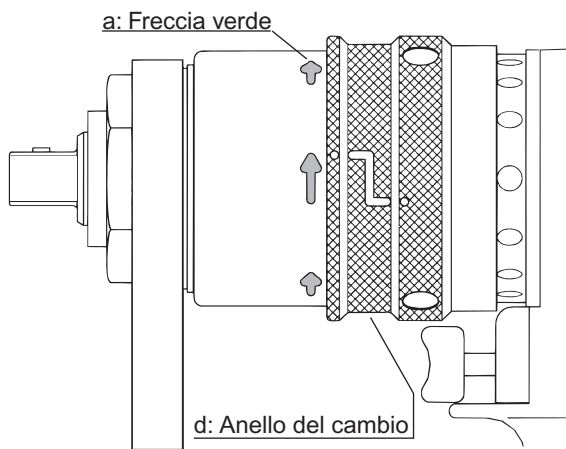
cs000810





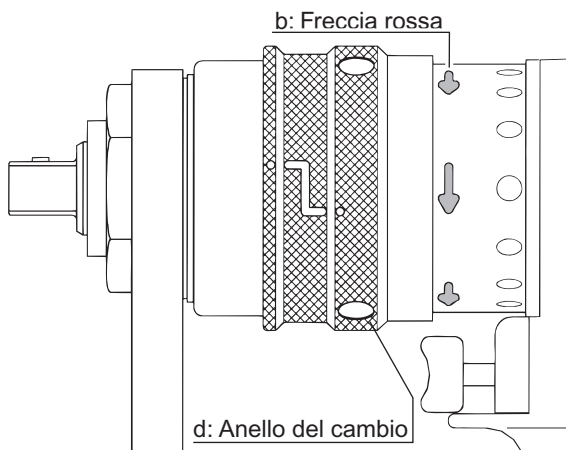


### Posizione dell'anello in senso orario



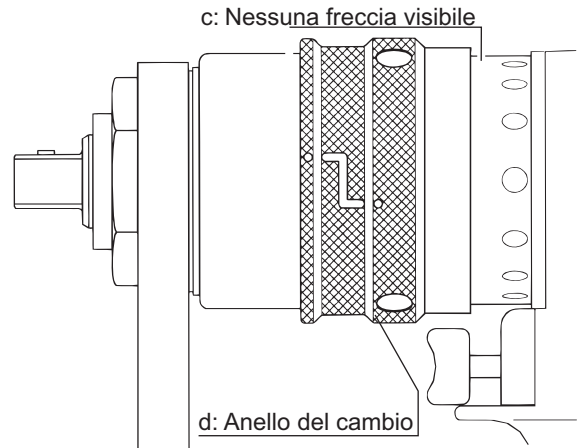
cs001060

### Posizione dell'anello in senso antiorario



cs000950

### Posizione dell'anello al centro



cs000960

### Istruzioni per l'inserimento della retromarcia

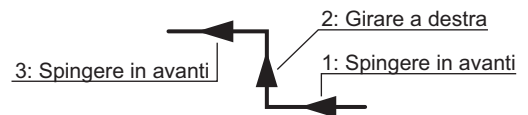
Dal momento che non è presente alcun sistema automatico di ritorno del selettore a una posizione fissata, prima di iniziare controllare che il selettore sia in posizione oraria o antioraria con tutte le frecce visibili.

#### ATTENZIONE



Non spingere il selettore quando l'attrezzo è in funzionamento.  
Non avviare l'attrezzo quando il selettore è in posizione centrale.

Prendere l'anello del selettore e muoverlo in avanti – a destra – in avanti; vedere la fig. sotto riportata.



cs000970

Le frecce rosse indicano la direzione di funzionamento, cioè all'accensione l'attrezzo ruoterà in senso antiorario. Quando si torna alla posizione in senso orario, tirare indietro l'anello – a sinistra – indietro; vedere la fig. sotto riportata.



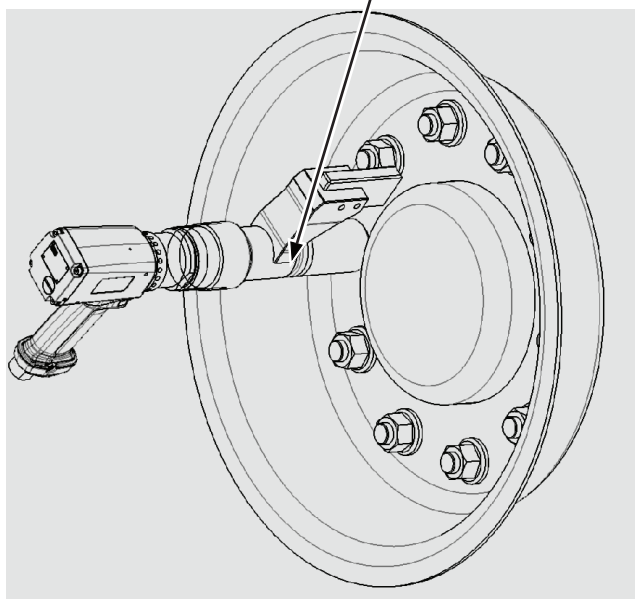
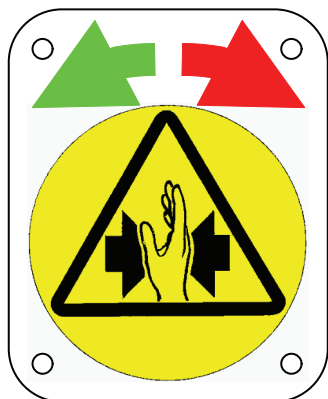
cs000980

Le frecce verdi indicano la direzione di funzionamento, cioè, all'accensione l'attrezzo ruoterà in senso orario. Per entrambe le posizioni non è necessario tenere in mano l'anello.

### Braccio di reazione esteso con lama

Controllare che la lama sia saldamente inserita nel braccio di reazione.

Applicare la barra di reazione nella posizione desiderata – opposta alla direzione dell'attrezzo – prima di avviare.



cs000860

## Manutenzione

### Per ottenere le massime prestazioni

Per la massima efficienza ed un funzionamento senza problemi, è importante lubrificare regolarmente. Il motore va lubrificato con olio: le gocce d'olio vanno introdotte nell'aria compressa oppure direttamente nella presa dell'aria.

La levetta di scatto, gli ingranaggi epicicloidali, i cuscinetti ad aghi ed i cuscinetti a sfere vanno lubrificati con grasso in occasione delle regolari revisioni dell'utensile.

L'ingranaggio angolare e l'innesto vanno lubrificati con grasso contenente disolfuro di molibdeno, ad es. il Molykote BR2 Plus o altri prodotti equivalenti.

Usare lubrificanti di buona qualità. Gli oli e i grassi menzionati nella tabella sono esempi di lubrificanti raccomandati.

### Protezione antiruggine e pulizia interna

Acqua, polvere e particelle di usura nell'aria compressa possono provocare l'ossidazione ed il grippaggio di palette, valvole, ecc. In prossimità della macchina deve essere installato un filtro dell'aria (vedere 'Qualità dell'aria').

### Istruzioni per la manutenzione

La revisione e la manutenzione preventiva devono essere effettuate ad intervalli regolari almeno una volta all'anno oppure dopo un massimo di 250.000 serraggi, a seconda della scadenza che si

presenta per prima. Qualora la macchina sia utilizzata con coppie elevate e lunghi tempi di serraggio può essere necessario revisionarla più frequentemente, la macchina deve essere controllata immediatamente.

Il filtro a reticella dell'ingresso dell'aria e il filtro di scarico devono essere puliti frequentemente o sostituiti per evitarne l'intasamento, che porterebbe ad una diminuzione delle prestazioni della macchina.

In sede di revisione, pulire a fondo tutte le parti e sostituire le parti danneggiate o usurate (ad esempio O-ring, palette).

### Smontaggio / montaggio

E' importante che i raccordi filettati delle macchine siano serrati correttamente, cioè come indicato nelle specifiche sugli esplosi.

- ⓘ Prima del montaggio, lubrificare con grasso le filettature. Durante il montaggio: lubrificare con grasso tutti gli anelli toroidali.

### Pulizia

Pulire accuratamente tutte le parti con acqua ragia o detergente simile.

Per prevenire intasamenti e perdite di potenza, può essere necessario pulire l'eventuale filtro ed il filtro di scarico tra le varie revisioni.

### Ispezione

Controllare tutte le parti dopo la pulizia. Sostituire le parti usurate e danneggiate.

### Lubrificazione

Lubrificare in particolare ingranaggi, valvola e frizione con grasso contenente bisolfuro di molibdeno (ad es. Molykote BR2 Plus). Vedere gli esplosi e la fig. in Istruzioni per la manutenzione.

### Guida alla scelta del Avvitadadi

Marca	Cuscinetti	Unità a ruota libera (ruota dentata + corona)	Ruota libera
BP			Energrease LS-EP2
Castrol	Spheerol EP L2		
Esso	Beacon EP2		Beacon EP2
Q8	Rembrandt EP2		Rembrandt EP2
Mobil	M.Grease XHP 222		
Shell	Alvania EP2		Alvania EP2
Texaco	Multifak EP2		
Molycote			
Lubricating		Suntemp LE 9102	
STP		Oil treatment	

Marca	Ingranaggi	Universale
Bp		Energrease LS-EP2
Castro		Spheerol EP L2
Esso		Beacon EP2
Q8		Rembrandt EP2
Mobil		Mobilegrease XHP 222
Shell		Alvania EP2
Texaco		Multifak EP2
Molycote	BR2 Plus	

## Norme di sicurezza

### Attenzione

Prima di utilizzare l'utensile, leggere attentamente e capire le istruzioni di funzionamento.

L'utensile, i collegamenti e gli accessori devono essere utilizzati esclusivamente per gli scopi espressamente indicati.

Rispettare sempre le norme ed i regolamenti locali inerenti l'installazione, il funzionamento e la manutenzione.

Rivolgersi esclusivamente a personale addestrato per le operazioni di installazione ed assistenza.

Prima di eseguire qualsiasi regolazione (ad es. sostituire le prese), staccare l'utensile dalla rete dell'aria compressa.

Controllare il senso di rotazione prima di utilizzare la macchina.

L'operatore di un avvitatore con barra di reazione deve prestare particolare attenzione al rischio di schiacciamento. Per motivi di sicurezza, consentire l'utilizzo dell'utensile solamente a personale esperto ed addestrato per qualsiasi evenienza. Fare riferimento alla sezione "Barra di reazione".


**Utilizzare l'utensile solamente con una barra di reazione idonea al tipo di giunto a vite da avvitare.** Vedere anche le istruzioni contenute nel paragrafo "Barra di reazione".

Durante l'utilizzo dell'utensile, non appoggiare né avvicinare mai le mani accanto alla barra di reazione.

Controllare che la presa di alimentazione sia fissata correttamente - sostituire il fermo del dispositivo di azionamento quadrato se necessario. Sostituire anche eventuali prese usurate.

Tenere lontano mani, capelli lunghi o altri oggetti dalla presa rotante.

Prima di utilizzare un giogo di sospensione, assicurarsi che sia in buone condizioni ed adeguatamente fissato.

Part no	8940164681	
Issue no	0	
Series no	1	
Date	2008-06	
Page	44	

## Garanzia CP

- 1) Questo prodotto CP è garantito da difetti di lavorazione o dei materiali per un periodo massimo di 12 mesi a partire dalla data di acquisto presso CP o i suoi rappresentanti, sempre che il suo impiego sia stato limitato ad un unico turno per tutto quel periodo; se il ritmo di impiego supera il funzionamento durante un unico turno, la durata della garanzia deve essere ridotta in modo proporzionale.
- 2) Se durante il periodo della garanzia il prodotto presenta difetti di lavorazione o dei materiali, esso deve essere restituito a CP o ai suoi rappresentanti, unitamente ad una breve descrizione del presunto difetto. CP deciderà, a sua discrezione, se dare disposizioni per la riparazione o sostituzione gratuita dei componenti che ritiene essere difettosi, quale risultato di difetti di lavorazione o dei materiali.
- 3) Questa garanzia non è valida per quei prodotti che sono stati usati in modo improprio o impropriamente modificati, o che sono stati riparati usando ricambi non originali CP e non da CP o dai suoi rappresentanti autorizzati.
- 4) Se CP dovesse andare incontro a spese per riparare un guasto causato da cattivo uso, uso improprio, danni accidentali o modifica non autorizzata, essa richiederà il rimborso totale di tale spesa.
- 5) CP non accetta nessuna richiesta di risarcimento per spese di manodopera o di altro tipo causate da prodotti difettosi.
- 6) Si escludono espressamente danni diretti, incidentali o indiretti di qualsiasi tipo dovuti a qualsiasi difetto.
- 7) Questa garanzia viene data al posto di ogni altra garanzia o condizione, espressa o implicita, riguardante la qualità, commerciabilità o idoneità per qualsiasi scopo particolare.
- 8) Nessuno, neppure i rappresentanti, dipendenti o impiegati di CP, è autorizzato ad ampliare o modificare, in qualsiasi modo, i termini di questa garanzia limitata.

## HANDLEIDING

Dit product is speciaal ontworpen voor het vast- en losschroeven van bouten/moeren in hout, metaal en kunststof. Géén ander gebruik is toegestaan. Enkel voor professioneel gebruik bestemd.

### Hoofd Karakteristieken

Aanhaalkoppel bereik	300-900 Nm
Onbelast Toerental	100 r/mn (tr/mn)
Werkdruk	3-7 bar
Luchtverbruik	19 l/s (40CFM)
Gewicht:	
CP7600xB	6.0 kg
CP7600xB-R	6.6 kg
CP7600xB-4P	6.3 kg
CP7600xB-R4P	6.9 kg

### Opgave van het geluids- en trillingsniveau

#### Waarden van het geluidsniveau volgens ISO15744dB(A)

Gemeten geluidsdruk	79
Vastgesteld geluidsvermogen	
Spreiding volgens methode en productie	3

#### Trillingswaarden volgens EN/ISO 8662-7

Gemeten trillingswaarde	$<2.5$ m/s <sup>2</sup>
Spreiding volgens methode en productie	

### Verklaring geluid & trilling

Deze aangegeven waarden zijn verkregen door laboratoriumtests conform de aangegeven normen en zijn geschikt om vergeleken te worden met de aangegeven waarden of andere geteste gereedschappen met dezelfde normen. De aangegeven waarden zijn niet geschikt voor gebruik voor risicobepalingen en de waarden gemeten op de afzonderlijke werkplekken kunnen hoger zijn. De werkelijke blootstellingswaarden en het risico op letsel verschillen per gebruiker en zijn afhankelijk van de manier waarop de gebruiker werkt, het werkstuk en het ontwerp van het werkstation, alsmede de blootstellingstijd en de fysieke conditie van de gebruiker.

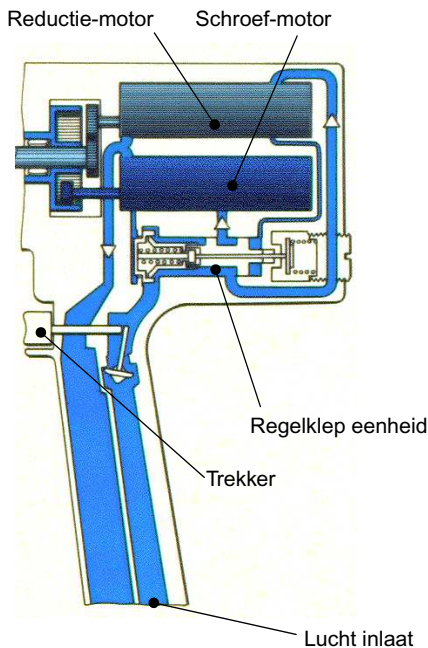
Wij ,CP, zijn niet aansprakelijk voor de consequenties van het gebruik van de aangegeven waarden in plaats van werkelijke blootstellingswaarden voor een afzonderlijke risicobepaling in een werkpleksituatie waarover wij geen controle hebben. Dit gereedschap kan het hand-arm-trillingssyndroom veroorzaken als het niet correct wordt gebruikt. Een EU-richtlijn voor het beheren van hand-arm-trillingen treft u aan op de website <http://www.humanvibration.com/EU/VIBGUIDE.htm> Wij adviseren een gezondheidscontrole op te zetten om al in een vroegstadium symptomen te kunnen waarnemen die gerelateerd zouden kunnen zijn aan blootstellingen aan trillingen, zodat managementprocedures aangepast kunnen worden om toekomstig letsel te voorkomen.

## Copyright

© Copyright 2008, CP. Alle rechten voorbehouden. Het zonder toestemming gebruiken of kopiëren van de inhoud of delen daarvan is verboden. Dit is in het bijzonder van toepassing op handelsmerken, modelaanduidingen, onderdeelnummers en tekeningen. Gebruik alleen goedgekeurde onderdelen. Schade of defecten die veroorzaakt zijn door het gebruik van niet-goedgekeurde onderdelen vallen niet onder de garantiebepalingen.

## Werking

Binnenin de CP7600 een regelklep unit combineert 2 belangrijke functies: het aandrijven van de beide luchtmotoren en het uitschakelen van de luchttoevoer in het toestel.



## Reductie

Bij het induwen van de trekker, zal de lucht via de regelklep unit de reductie motor aandrijven. Deze motor genereert door een kleine overbrengingsverhouding een hoog toerental gecombineerd met een laag koppel.

## Motor omschakeling

Als het koppel op de uitgaande as stijgt, de reductiemotor zal in snelheid vertragen en de luchtdruk in deze motor toenemen. Door deze toename de regelklep zal van positie veranderen.

## Vastschroeven

De lucht stroomt door de tweede motor (schroefmotor). Deze motor genereert door zijn grote overbrengingsverhouding een laag toerental gecombineerd met een hoog koppel.

## Uitschakeling

Als de koppelbelasting blijft toenemen, de schroefmotor zal vertragen en leiden tot een verhoogde druk in deze motor. Als deze druk de gekalibreerde veerspanning in de regelklep unit overschrijft, de zuiger in deze unit zal verschuiven en schakelt automatisch de luchttoevoer uit.

## Het instellen van het uitschakelsysteem

De veerspanning in de regelklep unit wordt ingesteld tijdens de kalibratie. Een specifieke luchtdruk (gebruikelijk 6,3 bar / 90PSI) leidt tot een specifiek koppel.

### WAARSCHUWING



A Een wijziging in de luchtdruk zal invloed hebben op het uitschakelsysteem. Te hoge druk zorgt voor een snellere uitschakeling van het toestel en het koppel zal lager zijn als het verwachte aanhaalmoment. Het is heel belangrijk het toestel te laten draaien onder de voorgeschreven werkdruk (genoteerd op het kalibratiedocument) om een perfecte werking en koppel te garanderen.

## Installatie

### Luchtkwaliteit

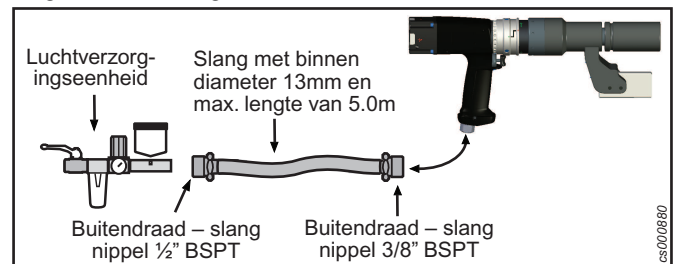
- Voor optimale prestaties en een maximale levensduur van de machine raden wij het gebruik van perslucht met een dauwpunt tussen +2°C en +10°C aan. De installatie van een CP luchtdroger van koelingtype wordt aanbevolen.
- Gebruik een afzonderlijk luchtfilter Dit verwijdert vaste deeltjes groter dan 15 micron en meer dan 90% van vloeibaar water. Monteer dit zo dicht mogelijk bij de machine, vóór enige andere unit voor het prepareren van lucht (zie a.u.b. Luchtleidingsaccessoires in onze hoofdcatalogus). Blaas de slang uit alvorens deze aan te sluiten.
- De perslucht moet een kleine hoeveelheid olie bevatten. Wij raden u sterk aan een olienevelaar, die normaliter op 3-4 druppels (50 mm<sup>3</sup>)/m<sup>3</sup> luchtverbruik voor gereedschappen met lange draaicycli is ingesteld, of een CP eenpuntssmeestel voor gereedschappen met korte draaicycli te installeren. Betreffende smeringsvrije gereedschappen is het, ter keuze van de klant, niet ongunstig wanneer de perslucht een kleine hoeveelheid olie als geleverd vanuit een smeestel bevat. Een uitzondering wordt gevormd door turbinegereedschappen, die vrij van olie moeten blijven.

### Persluchtaansluiting

- Het gereedschap is ontworpen voor een bedrijfsdruk (e) van 3–7 bar = 300–700 kPa = 6–7 kg/cm<sup>2</sup>.
- Blaas de slang uit alvorens hem aan te sluiten.

### Voorgeschreven installatie

Om een goede werking van het toestel te garanderen, stellen wij volgende aansluiting voor.



## Bediening

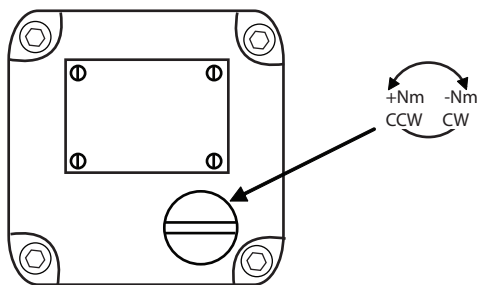
### Aanhaalkoppel

Voor een nauwkeurige werking en veiligheid moet het aanhaalkoppel van de schroevendraaier aan de schroefverbinding worden aangepast. Controleer het opgegeven aanhaalkoppel voor de aan te brengen schroefverbinding.

De luchtdruk gevoed door de FRL wordt ingesteld volgens de kalibratie specificaties in vrijloop (trekker volledig ingeduwd en onbelast laten draaien gedurende enkele seconden). Gebruikelijk 6.0 – 6.3 bar.

### Uitvoering met 1 ingesteld koppel

Pas de koppel instelling aan d.m.v. de instelschroef. Het koppel wordt verhoogd door deze schroef tegen-uurwijzerzin te verdraaien. Na instelling moet het erkelijke aanhaalmoment in de verbinding gecontroleerd worden.

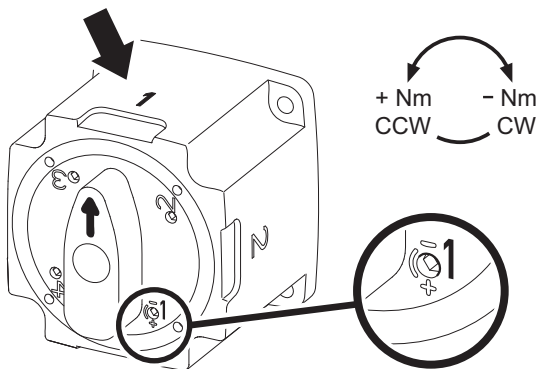


c000850

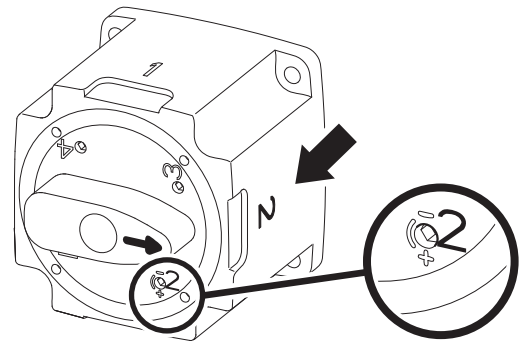
- ⓘ Het uitschakelen bij te hoge toerentallen, kan leiden tot hoog aanhaalmoment schommelingen, en om dit te vermijden raden wij aan de luchtdruk te reduceren.

### 4 Posities Schakelaar

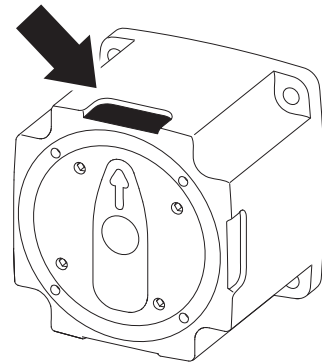
Om het eertse koppel 1 in te stellen, verdraai de schakelaar naar verwijzingsteken 1 op het huis. Bekijk aandachtig de info naast het verwijzingsteken 1 hoe het koppel kan ingesteld worden. Idem dito voor koppel 2 tot 4.



cs000800



cs001040

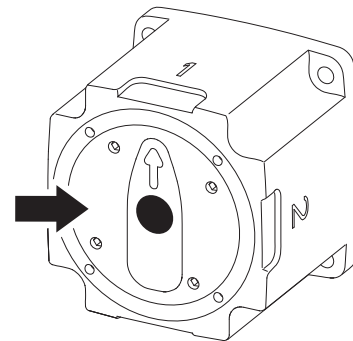


cs001050

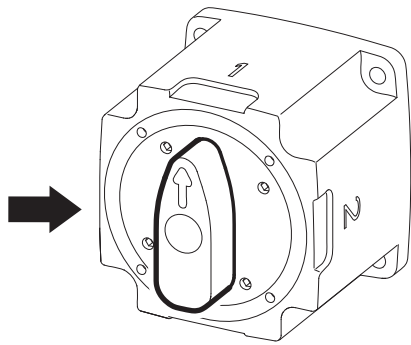
Als geheugensteuntje breng je de koppeldata op de vier posities aan.

### Werkinstructies: aanhaalmoment selecti

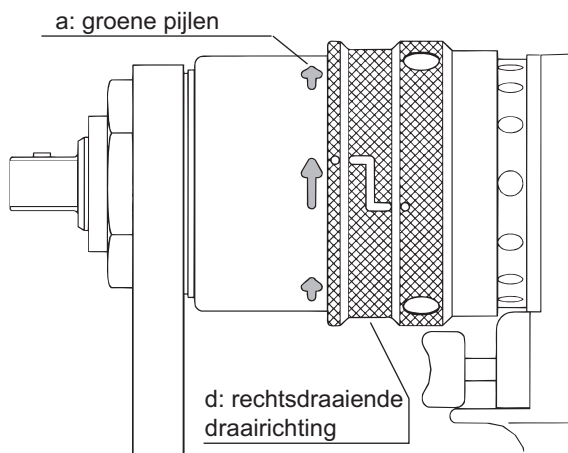
Druk op de zwarte knop in midden van de schakelaar en verdraai deze schakelaar naar de gewenste aanhaalmoment positie. Daarna druk de zwarte knop terug in.



cs000810



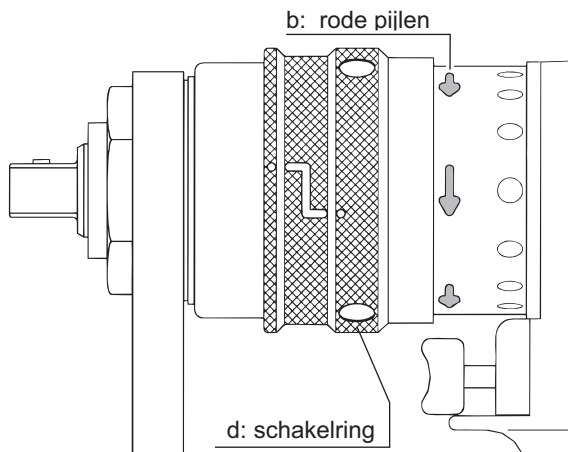
**Stand van de versnellingsring - rechtsdraaiende draairichting**



cs001060

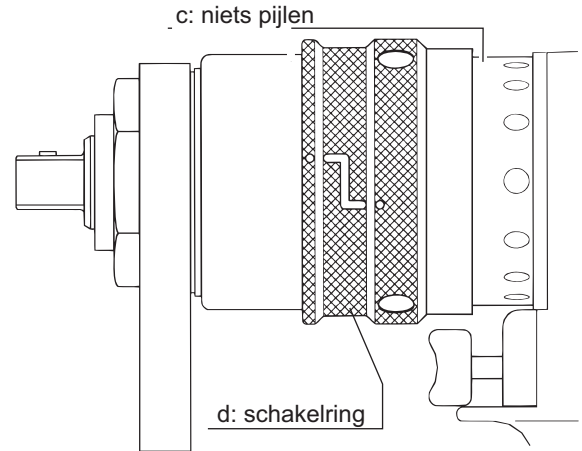
cs000940

**Stand van de versnellingsring - linksdraaiend draairichting**



cs000950

**Stand van de versnellingsring - midden draairichting**



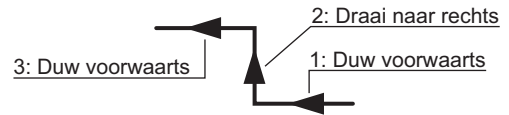
cs000960

**Instructies om te schakelen van links naar rechtsdraaiend**

Daar er geen automatische terugkeer mechanisme van de schakelring aanwezig is op het toestel, moet steeds gecontroleerd worden of deze ring in de links of rechtsdraaiende stand staat.

<b>WAARSCHUWING</b>	
	<p>Nooit schakelen bij draaiende motor.            Nooit het toestel starten bij schakelring in middelste positie.            Verschuif de schakelring naar voor of achter.</p>

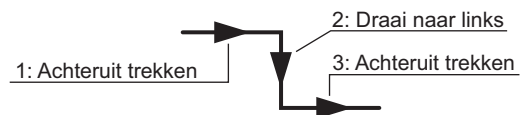
De rode pijl verwijst naar de draairichting van de uitgaande as. In dit geval is het linksdraaiend : losschroeven



cs000970

Echter verwijzen de groene pijlen naar de rechtsdraaiende draairichting: vastschroeven. Het is niet nodig om de schakelring vast te houden bij het vastschroefproces.

Bij terug schakelen naar rechtsdraaiende positie, trek de ring achteruit – links – achteruit, zie afbeelding onderaan.



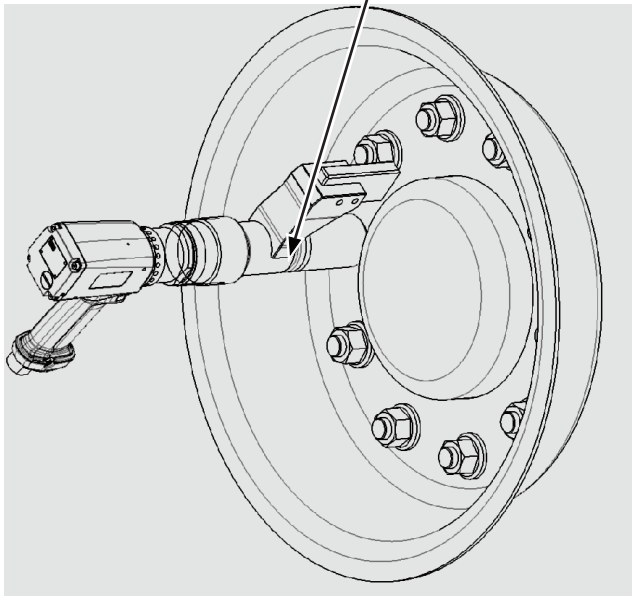
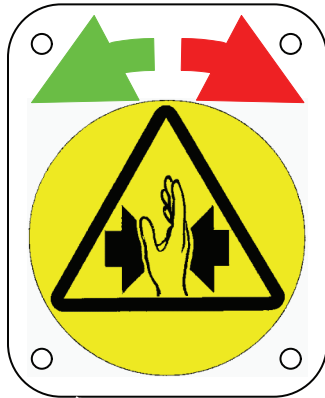
cs000980

De groene pijlen verwijzen naar de rechtsdraairichting. Het is niet voldoende de schakelring vast te houden.

**Verlengde reactiearm met fixeerplaat**

Controleer dat deze plaat perfect is gemonteerd in de reactiearm. Zet de reactie bar in de gewenste positie – tegenovergesteld met de draairichting van het toestel – alvorens te starten.





cs000860

## Onderhoud

### Voor maximale prestaties

Om maximum prestaties en probleemloos bedrijf te garanderen moet het gereedschap regelmatig worden gesmeerd. De motor moet met olie worden gesmeerd, druppels olie moeten bijvoorbeeld aan de gecompriëerde lucht worden toegevoegd of direct in de luchtinlaat worden ingebracht.

De starter, planetairtandwielen, nadellagers en kogellagers moeten bij de normale revisie van het gereedschap met vet worden gesmeerd.

Het hoektandwiel en de koppeling moeten worden gesmeerd met vet dat molybdenumsulfide bevat, bijv. Molykote BR2 Plus of een ander gelijkwaardig merk.

Gebruik smeermiddelen van goede kwaliteit. De oliën en vetten die vermeld zijn in de tabel zijn voorbeelden van aanbevolen smeermiddelen.

### Bescherming tegen roest en reiniging van het inwendige van de machine.

Water in de perslucht, stof en afgesleten deeltjes veroorzaken roest en het vastkleven van schoepen, kleppen enz. Breng zo dicht mogelijk bij de machine een luchtfilter aan (zie "Luchtkwaliteit").

## Onderhoudsinstructies

Revisie en preventief onderhoud is aanbevolen bij geregelde intervallen eenmaal per jaar of na maximaal 250.000 aandraai bewerkingen afhankelijk van wat zich het eerst voordoet. Een frequentere revisie kan nodig zijn, indien gebruikt bij hoog koppel en een lange aandraaitijden. Als de machine niet goed werkt, moet ze onmiddellijk uit productie genomen worden voor inspectie.

Het filter in de luchtinlaat en de uitlaatdemper moeten geregeld gereinigd of vervangen worden om verstopping te vermijden, waardoor de capaciteit vermindert.

Bij de reparaties moeten alle onderdelen zorgvuldig schoongemaakt worden en moeten defecte of versleten onderdelen (nl. O-ringen, schoepen) worden vervangen.

### Demontage / montage

Het is belangrijk dat de schroefdraadverbindingen van de machine degelijk zijn aangehaald, d.w.z. overeenkomstig de specificaties op de explosietekeningen.

- ⓘ Vóór de montage alle schroefdraden met vet insmeren.
- Bij de montage: alle O-ringen met vet insmeren.

### Reiniging

Reinig alle onderdelen grondig met white spirit of met een gelijkaardig reinigingsmiddel. Om verstopping en een vermindering van het vermogen te vermijden, kan het nodig zijn de filter (indien gebruikt) en de uitlaatfilter tussen de revisies in te reinigen.

### Inspectie


Inspecteer alle onderdelen na de reiniging. Beschadigde en versleten onderdelen moeten worden vervangen.

### Smeren

Smeer vooral de tandwielen, de klep en de koppeling met vet dat molybdeendisulfide bevat (b.v. Molykote BR2 Plus). Zie de explosietekeningen en de fig. onder Onderhoudsinstructies.

## Smeergids Moeraazetter

Merk	Lagers	Vrijwielunit	
		(aandwiel)tandwielas	Vrijwiel
BP			Energ grease LS-EP2
Castrol	Spheerol EP L2		
Esso	Beacon EP2		Beacon EP2
Q8	Rembrandt EP2		Rembrandt EP2
Mobil	M.Grease XHP 222		
Shell	Alvania EP2		Alvania EP2
Texaco	Multifak EP2		
Molykote			
Lubricating		Suntemp LE 9102	
STP		Oil treatment	

Part no	8940164681	
Issue no	0	
Series no	1	
Date	2008-06	
Page	50	

Merk	Overbrengingen	Algemene doeleinden
Bp		Energerease LS-EP2
Castro		Spheerol EP L2
Esso		Beacon EP2
Q8		Rembrandt EP2
Mobil		Mobilegrease XHP 222
Shell		Alvania EP2
Texaco		Multifak EP2
Molycote	BR2 Plus	

## Veiligheidsvoorschriften

### Waarschuwing

Zorg ervoor vertrouwd te zijn met de bedieningsinstructies alvorens deze machine te gebruiken.

Deze machine, de hulpstukken en het toebehoren mogen alleen worden gebruikt voor het doel waarvoor ze werden ontworpen.

Alle plaatselijke wettige veiligheidsregels betreffende installatie, bediening en onderhoud moeten altijd in acht worden genomen.

Laat de installatie en het onderhoud enkel over aan bevoegd personeel.

Alvorens de machine af te regelen (b.v. vervangen van doppen), dient u de luchttoevoer naar de machine af te sluiten.

Controleer de draairichting alvorens de machine te gebruiken.

Bedieners van moeraanzetters met een reactiestang dienen bijzonder op te letten om letsels te vermijden door knijpen. Uit veiligheidsoverwegingen: laat nooit iemand de machine bedienen tenzij hij opgeleid is en goed vertrouwd met de werking van de machine in verschillende omstandigheden. Zie sectie met hoofding "Reactiestang".

**De machine mag alleen worden gebruikt met de passende reactiestang**, aangepast aan de te maken schroefverbinding. Zie ook de instructies onder de hoofding "Reactiestang".

**Plaats uw hand nooit op of dicht tegen de reactiestang** tijdens het gebruik van de machine.


Controleer of de krachtdop goed is bevestigd – vervang zo nodig de houder of de borgpen. Vervang ook versleten krachtdoppen.

Als u een ophangbeugel gebruikt, controleer dan of die in goede staat is en behoorlijk is bevestigd.

Blijf met handen, lang haar en losse kleding van de draaiende dop verwijderd.

## CP GARANTIEVOORWAARDEN

- 1) Dit CP-product is gedurende 12 maanden gegarandeerd tegen materiaal en/of constructiefouten, op voorwaarde dat het gedurende die tijd alleen in enkelvoudige ploegbediening wordt gebruikt. Indien het gebruik enkelvoudige ploegbediening overtreft, dan wordt de garantieperiode naar verhouding verkort. Deze garantie zal ingaan op de dag dat het aangekochte CP-product geleverd wordt door ofwel CP of een van haar officieel erkende agenten.
- 2) Indien het CP-product gedurende de garantie-periode gebreken vertoont ten gevolge van een materiaal- en/of constructiefout, dient het CP-product binnen de garantietermijn met een korte beschrijving van het defect te worden geretourneerd naar CP of een van haar officieel erkende agenten. CP zal op haar beurt de artikelen die gebreken vertonen ten gevolge van een materiaal- en/of constructiefout herstellen of vervangen.
- 3) Om aanspraak te kunnen maken op garantie zullen periodiek onderhoud en/of herstellingen steeds uitgevoerd moeten zijn door CP en/of haar officieel erkende agenten. De garantie komt te vervallen indien de CP-producten misbruikt worden, op onjuiste wijze gebruikt worden, door een ongeval beschadigd worden, veranderd zijn of indien ze gerepareerd of onderhouden zijn door een niet door CP-erkende reparateur en/of met niet-originele CP-onderdelen.
- 4) In alle gevallen bedoeld in artikel 4 zullen de onkosten (met inbegrip van de arbeidskosten) gemaakt door CP worden gefactureerd. Ingeval de klant om herstelling vraagt zal deze eveneens worden gefactureerd.
- 5) CP zal niet aansprakelijk zijn voor eventuele directe of indirecte schade (zoals met name tijdverlies, commerciële schade, administratieve kosten, enige vorm van schadevergoeding), behoudens hetgeen wordt voorzien in het hierboven vermelde artikel 3.
- 6) Deze garantie wordt gegeven in plaats van alle andere garanties of voorwaarden met betrekking tot de kwaliteit, verkoopbaarheid of geschiktheid voor enig bepaald doel.
- 7) Geen enkel persoon, met inbegrip van agenten en werknemers van CP, heeft het recht om iets aan de voorwaarden van deze beperkte garantie toe te voegen of deze op enigerlei wijze te veranderen.
- 8) Niemand, met inbegrip van vertegenwoordigers en werknemers van CP, heeft het recht om iets aan de voorwaarden van deze beperkte garantie toe te voegen of deze op enigerlei wijze te veranderen.

Part no	8940164681	
Issue no	0	
Series no	1	
Date	2008-06	
Page	52	

## INSTRUKTIONSMANUAL

Dette produkt er beregnet til installation og fjernelse af befæstelselementer med gevind i træ, metal og plastik. Ingen anden brug er tilladt. Kun til professionel brug.

### Hovedkarakteristika

Momentområde	300-900 Nm
Tomgang	100 omdr/mn (tr/mn)
Arbejdstryk	3-7 bar
Lufforbrug	19 l/s (40CFM)
Vægt:	
CP7600xB	6.0 kg
CP7600xB-R	6.6 kg
CP7600xB-4P	6.3 kg
CP7600xB-R4P	6.9 kg

### Støj- og vibrationsemission

Støj ifølge PN8NTC	dB(A)
Målt lydtrykniveau	79
Fastlagt lydeffektniveau	
Spredning i metode og produktion	3

Vibration ifølge ISO 8662-7	m/s <sup>2</sup>
Målt vibrationsværdi	<2.5
Spredning i metode og produktion	

### Specifikation af støj- og vibrationsudledning

Disse specificerede værdier er opnået ved laboratorieprøver under overholdelse af gældende standarder og er ikke dækkende for risikovurderinger. Værdier målt i aktuelle arbejdsmiljøer kan være højere end de angivne værdier. De faktiske eksponeringsværdier og risici for skader, der opleves af individuelle brugere, er unikke og afhænger af brugerens arbejdsform, arbejdsobjektet og arbejdspladsens udformning, såvel som eksponeringstid og brugerens fysiske tilstand.

Vi, CP kan ikke drages til ansvar for konsekvenserne af anvendelse af de specificerede data, istedet for værdier der afspejler den faktiske eksponering, i en individuel risikovurdering på en arbejdsplads vi ikke har kontrol over.

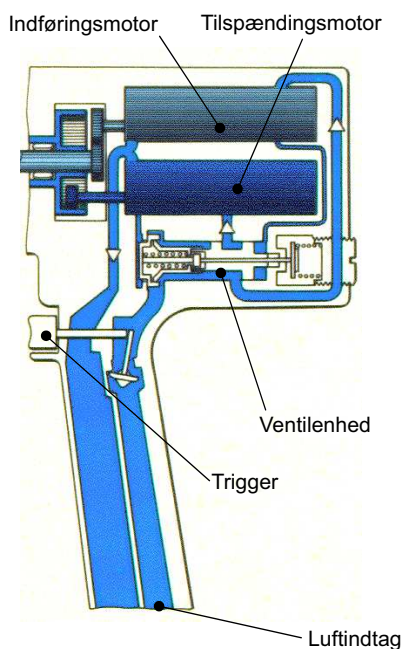
## Copyright

© Copyright 2008, CP. Alle rettigheder forbeholdes. Indholdet eller dele deraf må ikke anvendes eller kopieres uden tilladelse. Dette gælder i særdeleshed varemærker, modelbetegnelser, delnumre og tegninger. Brug kun originale dele. Beskadigelse eller svigt som følge af brug af uoriginale dele er ikke dækket af garantien eller produktansvaret.

## Princip

CP7600 er udstyret med en ventilenhed, som forener 2 nøglefunktioner:

at presse luften gennem de to trykluftsmotorer, og at lukke for værktøjets lufttilførsel.



## Indføring

Når man trykker på triggeren strømmer luften gennem ventilenheden og presser luften gennem den roterende indføringsmotor. Denne motor driver et lavt udvekslingsforhold, som genererer høj hastighed og lavt drejningsmoment.

## Motorskift

Efterhånden som drejningsmomentbelastningen på CP7600 udgangsdrivkraften øges, sætter indføringsmotoren farten ned, hvilket fører til højere lufttryk inden i motoren. Under dette højere tryk skubbes ventilen til en anden position.

## Tilspænding

Derved drives luften gennem tilspændingsmotoren. Denne motor driver et højt udvekslingsforhold, som genererer lav hastighed og højt drejningsmoment.

## Aflukning

I takt med at drejningsmomentbelastningen stiger, sætter tilspændingsmotoren farten ned, hvilket fører til højere lufttryk i motoren. Når dette lufttryk overstiger det justerede tryk i en fjeder, skubber det til et stempel i ventilenheden, som lukker for al lufttilførslen.

## Justering af aflukningen

Fjedertrykket justeres ved kalibreringen af værktøjet. Et bestemt lufttryk (sædvanligvis 6,3 bar/90 psi) fører til et bestemt drejningsmoment.

### ADVARSEL



Hvis lufttrykket ændres, påvirkes aflukningens opførsel. Hvis lufttrykket er højere end kalibreringslufttrykket, indtræffer aflukningen hurtigere, og drejningsmomentet vil være lavere end forventet. Det er meget vigtigt at lade CP7600 køre ved det lufttryk, der står på kalibreringscertifikatet, for at opnå det rette drejningsmoment.

## Installation

### Luftkvalitet

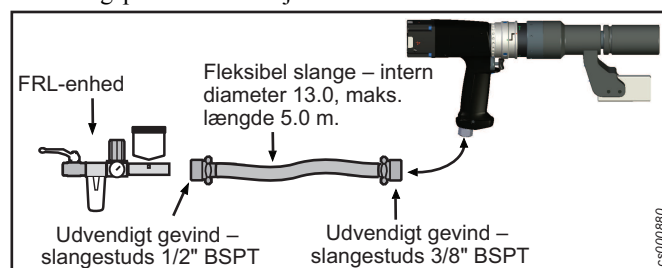
- Det anbefales at bruge trykluft med et dugpunkt mellem +2 °C og +10 °C for at opnå optimal ydelse og maksimal maskinlevetid. Det anbefales at installere en lufttørrer af nedkølingstypen.
- Brug et særskilt luftfilter, fjern faste partikler, som er større end 15 mikron og mere end 90 % af flydende vand. Installer filteret så tæt som muligt på maskinen, og før installationen af nogen anden luftbehandlingsenhed (se Luftledningstilbehør i vort hovedkatalog). Blæs slangen ud, før den tilsluttes.
- Trykluften skal indeholde en lille mængde olie. Det anbefales kraftigt at installere en olietåge-smøreanordning, som normalt indstilles til 3-4 dråber (50 mm<sup>3</sup>)/m<sup>3</sup> luftforbrug for værktøj, der kører lange cyklusser, eller en lokaliseret smøreanordning til værktøj, der kører korte cyklusser. Hvad angår smørefrit værktøj er det ingen ulempe, hvis trykluften efter kundens valg indeholder en lille mængde olie fra en smøreanordning. En undtagelse er turbineværktøj, som skal holdes frit for olie.

### Tilslutning af trykluft

- Maskinen er konstrueret til et driftstryk (e) på 3-7 bar = 300-700 kPa = 87-102 psi.
- Blæs slangen ud, før den tilsluttes.

### Anbefalet installation

For at sikre korrekt kapacitet af maskinen anbefales det kraftigt, at man følger det vedlagte installationsforslag fra luftnetværkets tilslutningspunkt til værktøjet.



## Håndtering

### Indstilling af tilspændingsmoment

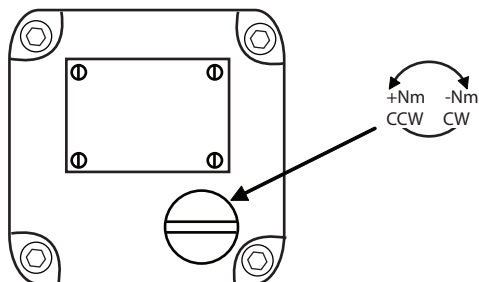
Skruemaskinens tilspændingsmoment skal indstilles korrekt i forhold til skruesamlingen for at garantere nøjagtig drift og

sikkerhed. Kontroller tilspændingsmomentet af den pågældende samling.

Luftrykket tilført af FRL-enheden indstilles ifølge det tryk, der står på kalibreringscertifikatet, ved fri hastighed (med triggeren helt nedtrykket og skruemaskinen i tomgang uden belastning i et par sekunder), sædvanligvis 6,0 – 6,3 bar.

### Enkelmomentvælger

Juster momentindstillingen ved hjælp af justeringsknappen. Momentet øges, når skruen drejes mod urets retning. Efter justeringen kontrolleres tilspændingsmomentet af den pågældende samling.

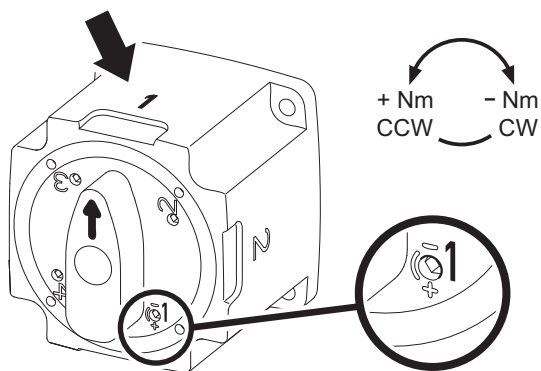


cs000850

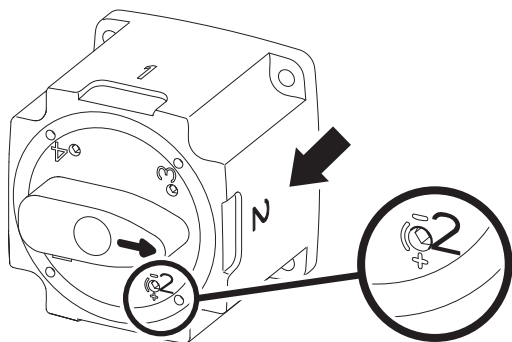
ⓘ Hvis der sker en afbrydelse ved høj omdrejningshastighed, som forårsager høj momentspredning, anbefales det at reducere luftrykket.

### Vælger med 4 positioner

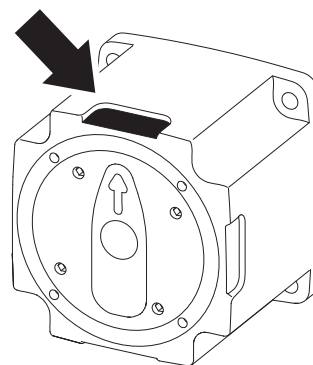
Drej drejeomskifteren til referencepunktet på huset for at indstille drejningsmoment 1. Indstil justeringsskruen 1. Se mærket på omskifteren for at øge/mindske drejningsmomentet. Drej drejeomskifteren til referencepunktet på huset for at indstille drejningsmoment 2. Indstil justeringsskruen 2.



cs000800



cs001040

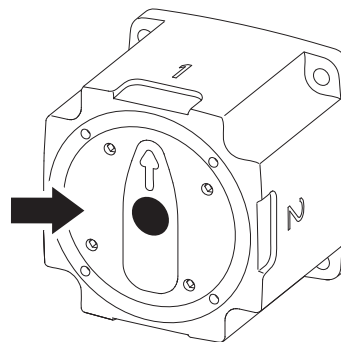


cs001050

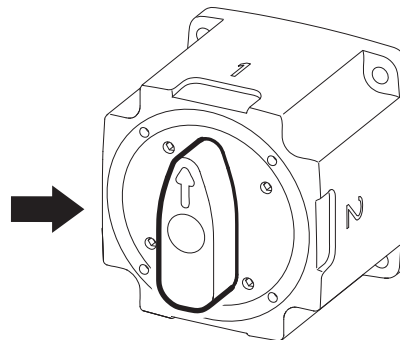
Husk dine drejningsmomentindstillinger ved at anbringe dine egne mærker på de fire områder på huset.

### Driftsinstruktioner Valg af tilspændingsmoment

Tryk på den sorte knap. Flyt drejeomskifteren til den ønskede position. Tryk drejeomskifteren ind igen.

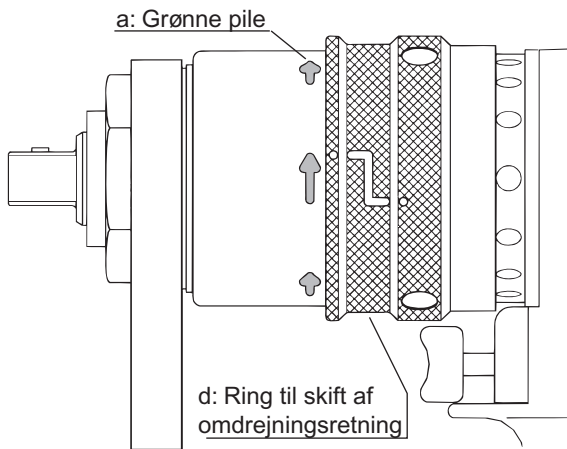


cs000810



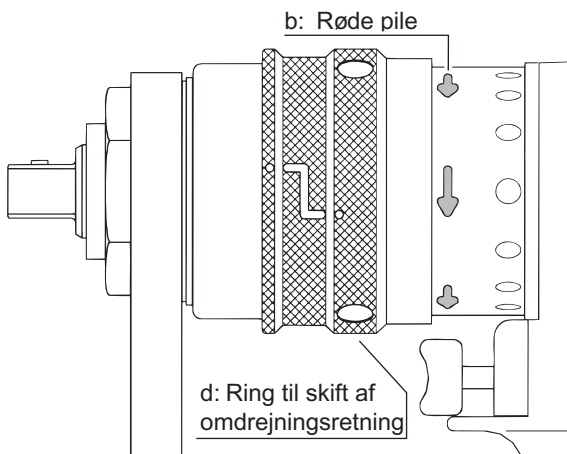
cs001060

### Position af ringen til skift af omdrejningsretning – position for omdrejning med uret



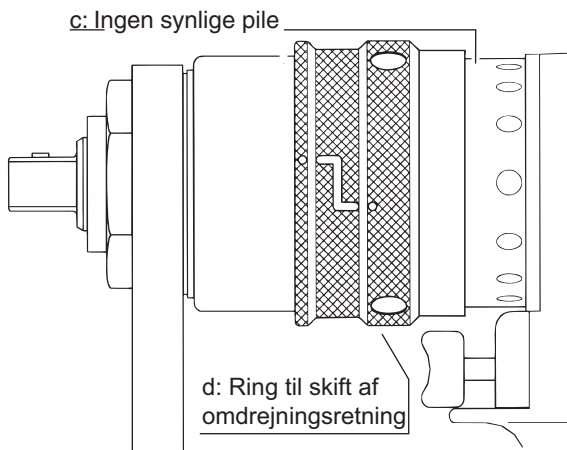
cs000940

### Position af ringen til skift af omdrejningsretning – omdrejning mod uret



cs000950

### Position af ringen til skift af omdrejningsretning – midterposition



cs000960

### Instrukser for reversering

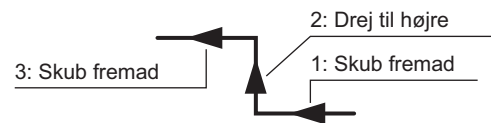
Eftersom ringen til skift af omdrejningsretning ikke automatisk vender tilbage til en bestemt position skal man altid kontrollere før man begynder, at skifteringen enten befinder sig i positionen med eller mod uret med alle pilene klart synlige.

#### ADVARSEL



Skift aldrig omdrejningsretning, mens maskinen kører.  
Start aldrig maskinen, mens skifteringen står i midterpositionen.

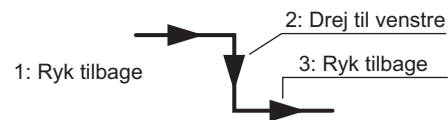
Tag fat i skifteringen med hånden, og flyt den fremad – til højre – fremad; se figuren herunder.



cs000970

De røde pile angiver omdrejningsretningen. Dvs. at maskinen vil køre i modsat retning af uret, når den startes.

Når man skifter tilbage til positionen i urets retning, skal man trække ringen tilbage – til venstre – tilbage; se figuren herunder.



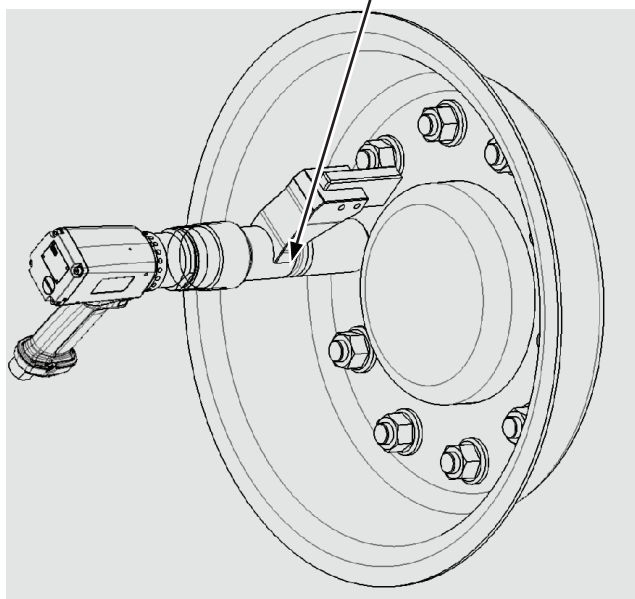
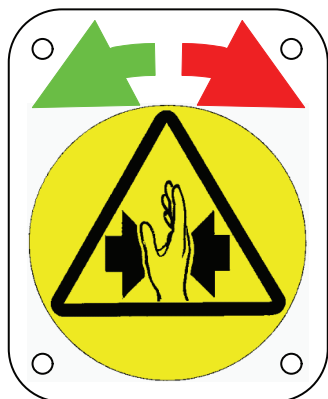
cs000980

De grønne pile angiver omdrejningsretningen, dvs. at maskinen vil køre i retning med uret, når den startes. Det er ikke nødvendigt at fastholde ringen i positionerne med hånden.

### Extended reaction arm with blade

Check that the blade is firmly fitted into the reaction arm.

Apply the reaction bar in the wanted position - opposite the direction of the machine - before starting the machine.



cs000860

## Vedligeholdelse

### For maksimal ydelse

Det er vigtigt at smøre regelmæssigt for at opnå maksimal ydelse og problemfri drift. Motoren skal smøres med olie; dvs. at der kan dryppes oliedråber enten i tryklufte eller direkte i luftindtaget.

Triggeren, planetgearene, nålelejerne og kuglelejerne skal smøres med smørefedt ved maskinens regelmæssige eftersyn.

Vinkelgearet og koblingen skal smøres ved hjælp af smørefedt indeholdende molybdendisulfid: Molykote BR2 Plus, for eksempel, eller et lignende mærke.

Brug smøremidler af god kvalitet. Olier og smørefedt nævnt i skemaet er eksempler på anbefalede smøremidler.

### Rustbeskyttelse og indvendig rengøring

Vand i tryklufte, støv og slidpartikler forårsager rust og fastkørsel af vinger, ventiler osv. Der bør installeres et luftfilter i nærheden af maskinen (se "Luftkvalitet").

### Serviceinstruktioner

Det anbefales at foretage grundigt eftersyn og forebyggende vedligeholdelse med jævne mellemrum en gang om året eller efter maks. 250.000 tilspændinger afhængigt af, hvad der indtræffer først. Det kan være nødvendigt med hyppigere eftersyn, hvis maskinen benyttes ved højt drejningsmoment og med længerevarende tilspændinger. Hvis maskinen ikke fungerer

korrekt, skal den straks tages ud af brug og efterses. Sugiesien ved luftindtaget og lyddæmperen skal rengøres hyppigt eller udskiftes for at forebygge tilstopning, som nedsætter kapaciteten.

Ved eftersynene skal alle dele rengøres grundigt, og defekte eller slidte dele (f.eks. O-ringe, vinger) skal udskiftes.

### Demontering / montering

Det er vigtigt, at maskinens gevindskårne forbindelser tilspændes korrekt, dvs. i overensstemmelse med specifikationerne i de eksploderede oversigter.

Smør o-ringe og gevindskårne forbindelser med smørefedt før montering.

### Rengøring

Rens alle dele grundigt med mineralisk terpentin eller et lignende rengøringsmiddel. Det kan være nødvendigt at rense sugesien (hvis den anvendes) og udstødningsfilteret mellem eftersynene for at forhindre tilstopning og nedsat kraft.

### Inspektion

Efter rengøring inspiceres alle dele. Beskadede og slidte dele skal udskiftes.

### Smøring

Smør især tandhjulsudvekslinger, ventil og kobling med smørefedt indeholdende molybdendisulfid (f.eks. Molykote BR2 Plus). Se venligst de eksploderede oversigter og figurer under Serviceinstruktioner.

## Smørevejledning for skruemaskiner

Mærke	Lejer	Frihjulsenhed (tandkrans og tandhjul)	Frihjul
BP			Energrease LS-EP2
Castrol	Spheerol EP L2		
Esso	Beacon EP2		Beacon EP2
Q8	Rembrandt EP2		Rembrandt EP2
Mobil	M.Grease XHP 222		
Shell	Alvania EP2		Alvania EP2
Texaco	Multifak EP2		
Molykote			
Lubricating		Suntemp LE 9102	
STP		Oil treatment	

Mærke	Tandhjulsudvekslinger	Generelt formål
Bp		Energrease LS-EP2
Castro		Spheerol EP L2
Esso		Beacon EP2
Q8		Rembrandt EP2
Mobil		Mobilegrease XHP 222
Shell		Alvania EP2
Texaco		Multifak EP2
Molykote	BR2 Plus	



## Sikkerhedsinstruktioner

### Advarsel

Sørg for at sætte dig ind i driftsinstruktionerne, før du anvender denne maskine.

Maskinen og dens eventuelle udstyr og tilbehør må aldrig anvendes til andre formål end de angivne.

Alle sikkerhedsregler vedrørende installation, drift og vedligeholdelse i den lokale lovgivning skal til enhver tid overholdes.

Overlad udelukkende installation og løbende vedligeholdelse til faglært personale.

Før eventuelle justeringer (f.eks. skift af fatninger) skal maskinen afbrydes fra trykluftslangen.

Kontroller omdrejningsretningen, før maskinen tages i brug.

Operatører af skruemaskiner med momentreaktionsstang skal være særligt forsigtige for at undgå skader på grund af klemning. Af sikkerhedsårsager må man aldrig overlade betjeningen af maskinen til en person, som ikke er oplært og fortrolig med maskinens funktionsmåde under varierende omstændigheder. Se afsnittet under overskriften "Reaktionsstang". Maskinen må kun anvendes sammen med den dertil hørende momentreaktionsstang, som er tilpasset til den pågældende skruesamlingsanvendelse. Se også instruktionerne under overskriften "Reaktionsstang".

Maskinen må kun anvendes sammen med den dertil hørende momentreaktionsstang, som er tilpasset til den pågældende skruesamlingsanvendelse. Se også instruktionerne under overskriften "Reaktionsstang".

Sæt aldrig hånden på eller tæt ved reaktionsstangen, når maskinen er i brug.

Kontroller, at strømstikket er ordentligt fastgjort. Udskift låsestiften, når det er nødvendigt. Udskift også eventuelle slidte fatninger.

Hold hænder, langt hår eller andre genstande på afstand af den roterende fatning.

Når der anvendes et ophængningsåg skal man kontrollere, at det er i god stand og korrekt fastgjort.

## CP GARANTI

- 1) Dette CP produkt er garanteret mod defekt udførelse eller materiale for en periode på maksimalt 12 måneder efter den dato, det blev indkøbt fra CP eller dennes agenter, forudsat dets brug begrænses til enkeltholdsdrift under hele denne periode. Hvis brugen overstiger enkeltholds-driftniveau, vil garantiperioden blive reduceret på pro rata basis.
- 2) Hvis produktet forekommer af være defekt med hensyn til udførelse eller materiale indenfor garantiperioden, skal det returneres til CP, eller dennes agenter, sammen med en kort beskrivelse af den anførte defekt. CP vil efter eget skøn arrangere enten reparation eller udskiftning af sådanne dele, som anses for defekte, enten på grund af defekt udførelse eller materialer.
- 3) Denne garanti vil ophøre med at være gældende for produkter, som er blevet misbrugt, brugt forkert eller modificeret, eller er blevet repareret med reservedele, som ikke er originale CP reservedele eller af andre end CP, eller dennes autoriserede service-agenter.
- 4) Hvis CP skulle pådrage sig nogen som helst udgifter i forbindelse med korrigerende af en defekt, som skyldes misbrug, forkert brug, hændeligt uheld eller uautoriseret modificering, vil CP kræve at sådanne udgifter bliver godtgjort fuldt ud.
- 5) CP accepterer ikke noget krav for arbejds løn eller andre udgifter i forbindelse med defekte produkter.
- 6) Alle direkte, tilfældige eller deraf følgende skader, som stammer fra nogen som helst defekter, er udtrykkeligt udelukket.
- 7) Denne garanti gives i stedet for alle andre garantier, eller betingelser, udtrykkelige eller underforståede, med hensyn til kvaliteten, salgbarheden eller egnetheden for noget som helst specielt formål.
- 8) Ingen personer, hvad enten en CP agent, -underkontrahent eller -ansat, er autoriseret til at tilføje til eller modificere betingelserne i denne begrænsede garanti på nogen som helst måde.

## OHJEKIRJA

Tuote on suunniteltu puisten, metallisten ja muovisten kierrekiinnittimien asennukseen ja poistoon. Sen käyttö muihin tarkoituksiin ei ole sallittua. Ainoastaan ammattikäyttöön.

### Pääominaisuudet

Vääntömomentin väli	300 - 900 Nm
Vapaa nopeus	100 r/mn (tr/mn)
Toimintapaine	3 - 7 bar
Ilmankulutus	19 l/s (40CFM)
Paino:	
CP7600xB	6.0 kg
CP7600xB-R	6.6 kg
CP7600xB-4P	6.3 kg
CP7600xB-R4P	6.9 kg

### Melu- ja värinätaaso

Melu on standardin PN8NTC dB(A) mukainen	dB(A)
Mitattu äänipainetaso	79
Määritetty äänitehotaso	
Hajonta teoriassa ja tuotannossa	3

Tärinä on standardin ISO 8662-7	m/s <sup>2</sup>
Mitattu värinäarvo	<2.5
Menetelmän ja tuotannon hajonta	

### Melu- ja värinäpäästöt

Edellä ilmoitetut arvot on saatu laboratoriotyyppisten testien avulla, ilmoitettujen vaatimusten mukaisesti, eivätkä ne sovellu riskienarviointikäyttöön. Yksittäisissä työpaikoissa mitatut arvot saattavat olla korkeampia kuin ilmoitetut arvot. Todelliset altistumisarvot ja yksittäiselle käyttäjälle aiheutuva vahinkoriski ovat tapauskohtaisia ja riippuvat käyttäjän työskentelytavasta, työkohteesta ja työaseman suunnittelusta sekä altistumisajasta ja käyttäjän fyysisestä kunnosta.

CP:tä ei voida asettaa vastuuseen mainittujen arvojen käyttöön liittyvistä seurauksista, sen sijaan on otettava huomioon todellisesta altistumisesta johtuvat arvot yksittäisessä riskienarvioinnissa työpaikkatilanteessa, jota emme voi kontrolloida.

Part no	8940164681
Issue no	0
Series no	1
Date	2008-06
Page	60

FI

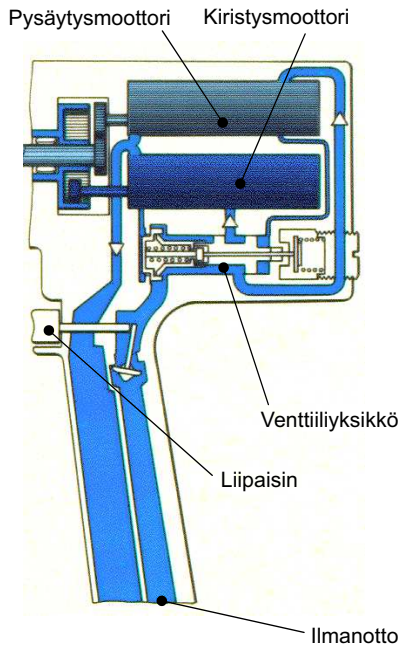
## Copyright

© Copyright 2008, CP. Kaikki oikeudet pidätetään. Sisällön tai sen osien luvaton käyttö tai kopiointi on kielletty. Tämä koskee erityisesti tavaramerkkejä, mallimerkintöjä, osanumeroita ja piirustuksia. Käytä ainoastaan alkuperäisiä osia. Takuu tai tuotevastuu ei kata muiden kuin alkuperäisten osien käytöstä aiheutunutta vahinkoa tai vikaa.

## Periaate

CP7600:ssa venttiiliyksiköllä on 2 päätoimintoa:

Se ohjaa ilman kahden paineilmamootorin läpi ja sulkee työkalun ilmansyötön.



cs000870

## Pysäytys

Vetämällä liipaisinta ilma virtaa venttiiliyksikön läpi ohjaten sen pyörivän pysäytysmoottorin läpi. Tällä moottorilla on matala kovan nopeuden tuoton välityssuhde ja pieni vääntömomentti.

## Moottorin kytkin

Kun CP7600:ssa käytetään momenttia antokäyttövoima kasvaa, pysäytysmoottori hidastuu aiheuttaen suuremman ilmanpaineen moottorin sisällä. Tämän korkeamman paineen alaisena venttiili siirtyy toiseen asentoon.

## Kiristys

Sitten ilmaa ohjataan kiristysmoottorin läpi. Moottorilla on korkea kovan nopeuden tuoton välityssuhde ja suuri momentti.

## Sammutus

Kun momentti jatkaa kasvamistaan, kiristysmoottori hidastuu aiheuttaen suuremman ilmanpaineen moottorissa. Tämän ilmanpaineen ylittäessä jousen säädetty paine, venttiiliyksikön mäntä siirtyy sammuttaen koko ilmanpääsyn.

## Sammutuksen säätö

Jousipaine säädetään kalibroitaessa työkalu. Tietty ilmanpaine (yleensä 6.3 bar/90 psi) saa aikaan tietyn momentin.

## VAROITUS



Ilmanpaineen muutos vaikuttaa sammutustapaan. Mikäli ilmanpaine on suurempi kuin kalibroitu ilmanpaine, sammutus tapahtuu aikaisemmin ja momentti on aiottua alhaisempi. On erittäin tärkeää, että CP7600 toimii kalibroitodistuksessa mainitulla ilmanpaineella niin, että saadaan oikea momentti.

## Asennus

### Ilman laatu

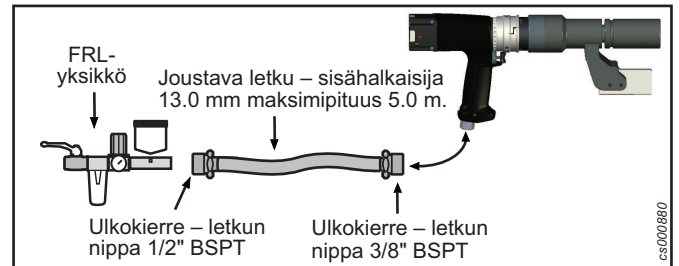
- Parhaan suorituskyvyn ja laitteen käyttöiän saamiseksi suosittelemme paineilman käyttöä kastepisteellä, joka on välillä +2°C ja +10°C. Jäähdyttävän ilmankuivaaajan asentaminen on suositeltavaa.
- Erillisen ilmansuodattimen käyttö poistaa 15 mikronia suuremmat kiinteät hiukkaset sekä yli 90% vedestä. Se asennetaan mahdollisimman lähelle laitetta ja ennen mitään muuta ilmankäsittely-yksikköä (ole hyvä ja katso Paineilman lisävarusteet päälueetelosta). Sulje letku ennen kytkemistä.
- Paineilman on sisällettävä pieni määrä öljyä. Suosittelemme vahvasti öljysumuvoitelulaitteen asentamista, joka asetetaan normaalisti 3-4 pisaran (50mm<sup>3</sup>)/m<sup>3</sup> ilmankulutukselle pitkäjaksotoimisille työkaluille tai yksikohtainen voitelulaite lyhytjaksotomisille työkaluille. Asiakkaan valitsemana erillisillä voitelulaitteilla ei ole haitaksi, jos paineilma sisältää pienen määrän voitelulaitteesta tulevaa öljyä. Poikkeuksena ovat turbiinilaitteet, joissa ei saa olla öljyä.

### Paineilmakytkentä

- Laite on suunniteltu toimintapaineelle (e) 3-7 bar = 300-700 kPa = 87-102 psi.
- Sulje letku ennen kytkemistä.

### Suosittelut asennus

Laitteen oikeanlaisen kapasiteetin varmistamiseksi suosittelemme, että toteutat seuraavan asennustavan ilmaverkoston tyhjennyskohdasta työvälineeseen.



cs000880

## Käsittely

### Kiristysmomentin asetus

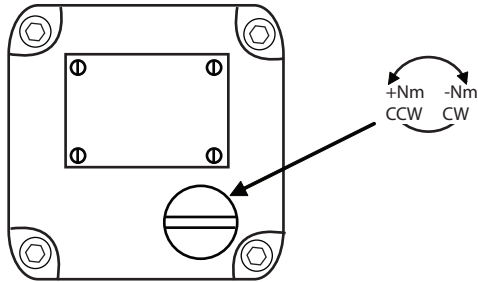
Kunnollisen ja turvallisen toiminnan varmistamiseksi mutterin ohjaimen kiristysmomentti on asetettava oikein suhteessa ruuviliitokseen. Tarkasta kyseessä olevalle liitokselle annettu kiristysmomentti.

FRL-yksikön tuottama ilmanpaine asetetaan kalibroitodistukseen kirjoitetun paineen mukaisesti vapaalla nopeudella (liipaisin täysin painettuna ja mutterin ohjain pyörii vapaasti ilman kuormitusta muutaman sekunnin ajan) yleensä 6.0 – 6.3 bar.

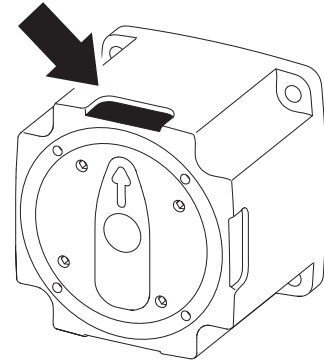


### Irrallinen momentin valitsin

Sääda momentin asetus säätöavaimella. Momentti kasvaa ruuvaamalla ruuvia vastapäivään. Säädon jälkeen tarkasta kyseessä olevalle liitokselle annettu kiristysmomentti.



c000850



cs001050

- ⓘ Mikäli sammutus tapahtuu kovalla kierrosnopeudella aiheuttaen suuren momentin hajonnan, suositellaan ilmanpaineen alentamista.

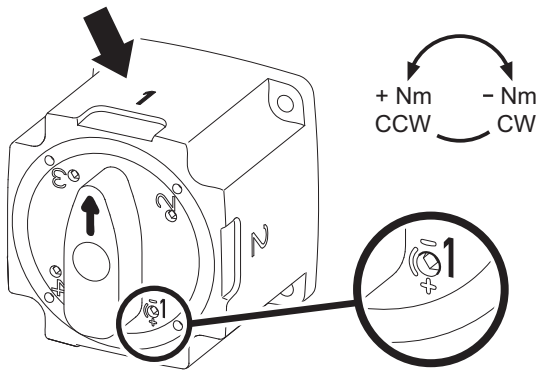
Muista tekemäsi momenttiasetukset laittamalla omat merkit neljään kohtaan kotelolla.

### 4-asentoinen valitsin

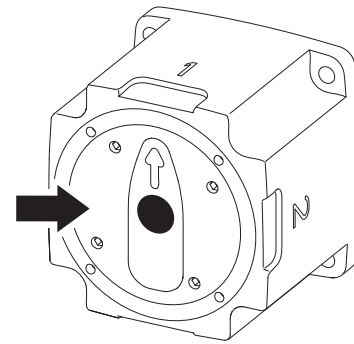
Momentin 1 asettamiseksi käännä kiertokytkintä kotelossa olevalle viitemerkille. Aseta säätöruuvi 1. Katso kytkimessä oleva merkki momentin pienentämiseksi/kasvattamiseksi. Momentin 2 asettamiseksi käännä kiertokytkintä kotelossa olevalle viitemerkille 2. Aseta säätöruuvi 2.

### Toimintaohjeet Kiristysmomentin valinta

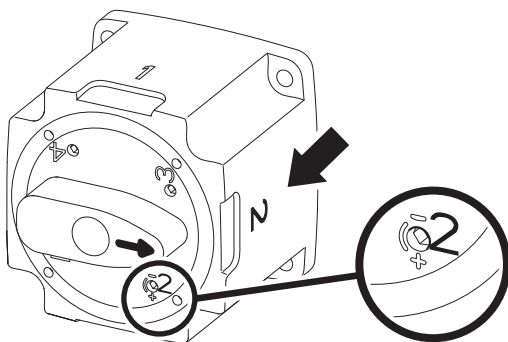
Paina mustaa painiketta. Käännä kiertokytkin haluttuun asentoon. Paina kiertokytkin takaisin sisään.



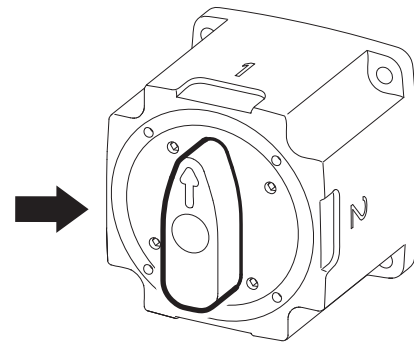
cs000800



cs000810

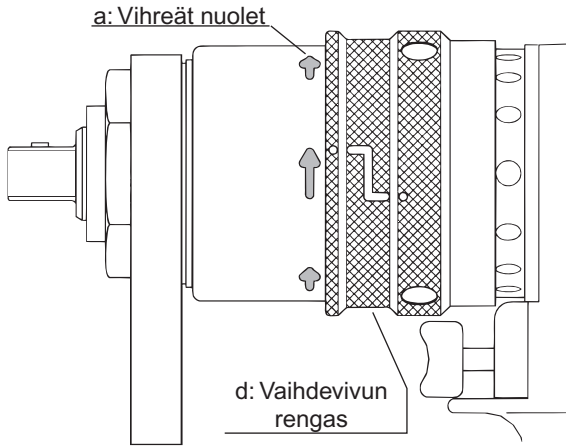


cs001040



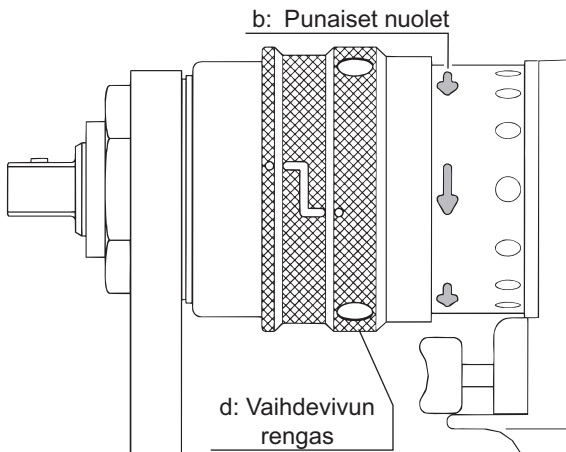
cs001060

### Vaihdevivun renkaan asento – myötäväivään kytkentäasento



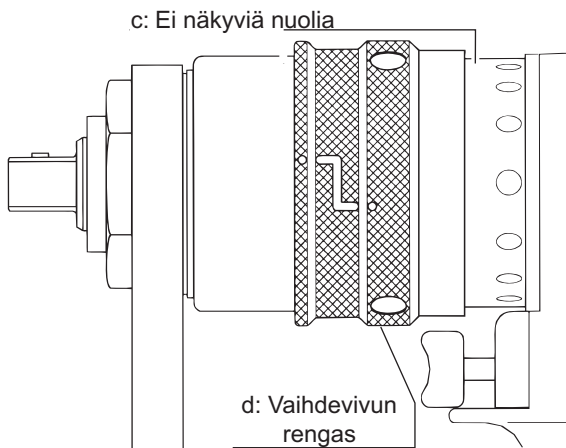
cs000940

### Vaihdevivun renkaan asento – vastapäivään kytkentäasento



cs000950

### Vaihdevivun renkaan asento – keskikytkentäasento



cs000960

### Ohjeet suunnanvaihtoa varten

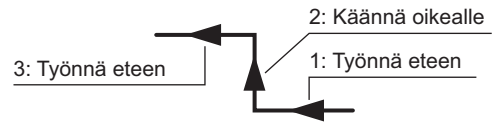
Koska vaihdevivussa ei ole automaattista palautusta vakioasentoon, tarkasta aina ennen aloitusta, että vaihdevipu on myötäväiväisessä asennossa tai vastapäiväisessä asennossa nuolien näkyessä selvästi.

#### VAROITUS



Älä koskaan vaihda vaihdetta laitteen toimiessa.  
 Älä koskaan käynnistä laitetta vaihdevivun ollessa keskiasennossa.

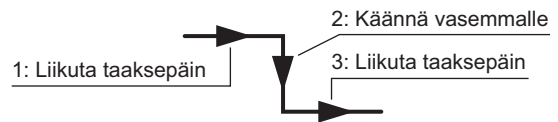
Tartu vaihdevivun renkaaseen käsin ja siirrä sitä eteen – oikealle – eteen, katso kuva alla.



cs000970

Punaiset nuolet ilmoittavat liikkeen suunnan. Laitte pyörii vastapäivään käynnistettäessä.

Vaihdettaessa takaisin myötäväiväiseen asentoon vedä rengas taakse – vasemmalle – taakse, katso kuva alla.



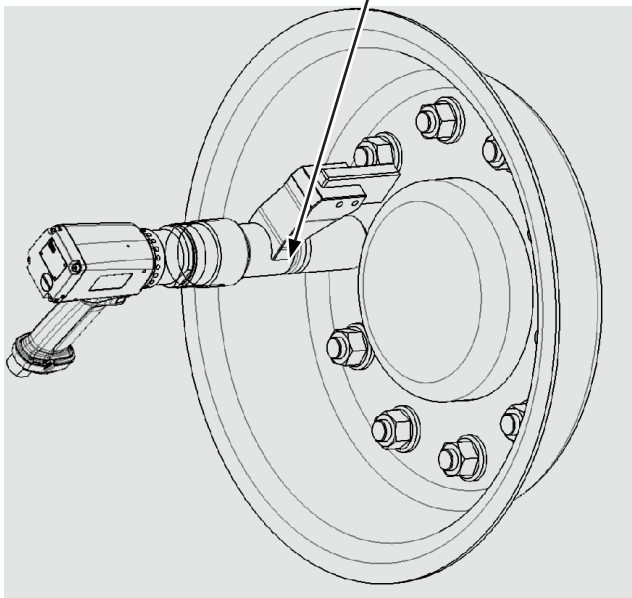
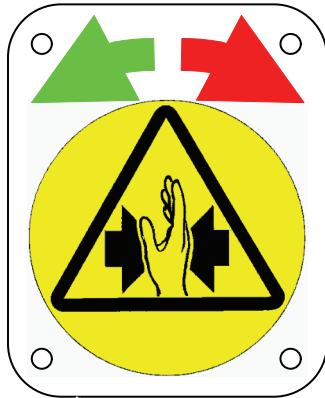
cs000980

Vihreät nuolet ilmoittavat liikkeen suunnan, laite pyörii myötäväivään käynnistettäessä. Ei ole tarpeellista pitää rengasta molemmissa asennoissa käsin.

### Extended reaction arm with blade

Check that the blade is firmly fitted into the reaction arm.

Apply the reaction bar in the wanted position - opposite the direction of the machine - before starting the machine.



cs000860

## Huolto

### Maksimaalisen suorituskyvyn varmistamiseksi

On tärkeää voidella säännöllisesti maksimaalisen suorituskyvyn ja ongelmattoman toiminnan saamiseksi. Moottori on voideltava öljyllä; öljypisaroita voidaan tiputtaa joko paineilmaan tai suoraan ilmanottoon.

Liipaisin, planeettapyörästä, neulalaakerit ja kuulalaakerit on voideltava rasvalla laitteen säännöllisen huollon aikana.

Kulmavaihte ja kytkin voidellaan rasvalla, joka sisältää molybdeenidisulfidia: esimerkiksi Molykote BR2 Plus tai vastaava merkki.

Käytä hyvälaatuisia voiteluaineita. Taulukossa mainitut öljyt ja rasvat ovat esimerkkejä suositeltavista voiteluaineista.

### Ruostesuoja ja sisäpuhdistus

Paineilmassa oleva vesi, lika ja kulumishiukkaset aiheuttavat ruostetta ja siipien, venttiilien jne. tukkeutumisen. Laitteen lähelle on asennettava ilmansuodatin (katso ”Ilman laatu”).

### Käyttöohjeet

Suositellaan yleistarkastusta ja ennaltaehkäisevää huoltoa säännöllisin väliajoin kerran vuodessa tai korkeintaan 250 000 kiristyksen jälkeen riippuen siitä, kumpi on aikaisempi. Tiheämpää huoltoa tarvitaan, jos käytetään korkeaa momenttia ja jos

kiristysajat ovat pitkiä. Ellei laite toimi kunnolla, se on poistettava heti käytöstä tarkastusta varten.

Suodatin ilmanotossa ja poiston vaimennin on puhdistettava tiheään tai korvattava tukkeutumisen estämiseksi, mikä vähentää kapasiteettia. Tarkastuksessa on puhdistettava kaikki osat huolellisesti ja vialliset tai kuluneet osat (esim. o-renkaat, siivet) on korvattava.

### Purkaminen / kokoaminen

On tärkeää, että laitteen kierteityt liitokset on kiristetty kunnolla; räjäytyskuvissa olevien erittelyiden mukaisesti.

- Voitele o-renkaat ja kierteityt liitokset rasvalla ennen kokoamista.

### Puhdistus

Puhdista kaikki osat kokonaan teollisuusbensiinillä tai vastaavalla puhdistusaineella.

Tukkeutumisen ja tehon laskun ehkäisemiseksi saattaa olla tarpeellista puhdistaa suodatin (jos käytössä) ja poistosuodatin tarkastuksien välillä.

### Tarkastus

Tarkasta kaikki osat puhdistuksen jälkeen. Vaurioituneet ja kuluneet osat pitää vaihtaa.


### Voitelu

Voitele erityisesti vaihteet, venttiili ja kytkin rasvalla, joka sisältää molybdeenidisulfidia (esim. Molykote BR2 Plus). Ole hyvä ja katso räjäytyskuvat sekä kuva käyttöohjeiden alla.

### Mutterin ohjainten rasvausopas

Vapaa pyöräyksikkö (vaihteen rengas ja hammaspyörät)			
Merkki	Laakerit	hammaspyörät	Vapaa pyörä
BP			Energrease LS-EP2
Castrol	Spheerol EP L2		
Esso	Beacon EP2		Beacon EP2
Q8	Rembrandt EP2		Rembrandt EP2
Mobil	M.Grease XHP 222		
Shell	Alvania EP2		Alvania EP2
Texaco	Multifak EP2		
Molycote			
Lubricating		Suntemp LE 9102	
STP		Oil treatment	

Merkki	Vaihte	Yleistarkoitus
Bp		Energrease LS-EP2
Castro		Spheerol EP L2
Esso		Beacon EP2
Q8		Rembrandt EP2
Mobil		Mobilegrease XHP 222
Shell		Alvania EP2
Texaco		Multifak EP2
Molycote	BR2 Plus	

Part no	8940164681	
Issue no	0	
Series no	1	
Date	2008-06	
Page	64	

## Turvallisuusohjeet

### Varoitus

Varmista, että olet tutustunut käyttöohjeisiin ennen laitteen käyttöä. Laitetta liitteineen ja lisävarusteineen ei saa ikinä käyttää muihin päämääriin kuin mihin sen on suunniteltu.

On aina huolehdittava kaikista paikallisista asennusta, käyttöä ja huoltoa koskevista virallisista turvallisuussäännöistä.

Vain ammattitaitoinen henkilökunta saa huolehtia asennuksesta ja huollosta. Ennen minkään säädön suorittamista (esim. muhvien vaihto) irrota laite paineilmalinjasta.

Tarkasta pyörimissuunta ennen laitteen käyttöä.

Mutterin ohjainten, joissa on momentin reaktiotanko, käyttäjän on oltava erityisen tarkkana puristumisesta aiheutuvien vahinkojen välttämiseksi. Turvallisuussyistä – älä koskaan anna kenenkään käyttää laitetta ilman koulutusta ja tutustumatta täysin laitteen käyttöön eri olosuhteissa. Katso kohta ”Reaktiotanko”.

Laitetta voidaan käyttää ainoastaan liitetyn momentin reaktiotangon kanssa, joka sopii kyseessä olevaan ruuviliitokseen. Katso myös ”Reaktiotanko”-otsikon alla olevat ohjeet.

Älä koskaan laita käsiä reaktiotangolle tai sen lähelle laitetta käytettäessä.


Tarkasta, että teholiitin on kunnolla kiinnitetty. Korvaa kiinnitys- tai lukitustappi tarvittaessa. Vaihda myös kaikki kuluneet muhvit.

Pidä kädet, pitkät hiukset ja muut esineet loitolla pyörivästä muhvista. Käytettäessä kannatussidettä tarkasta, että se on hyvässä kunnossa ja kunnolla kiinnitetty.



## CP-YHTIÖN MYÖNTÄMÄ TAKUU

- 1) Tällä CP-tuotteella on takuu, joka kattaa mahdolliset valmistusvaiheessa aiheutuneet tuote- tai materiaaliviat enintään 12 kuukauden ajalle siitä päivämäärästä lähtien, jolloin tuote on hankittu CP-yhtiöltä tai sen myyntiedustajilta edellyttäen, että tuotteen käyttö rajoitetaan yhteen työvuoroon tämän ajanjakson aikana. Jos tuotetta käytetään enemmän kuin yhden työvuoron ajan, takuun kattama jakso lyhentyy tuotteen käyttöä vastaavalla ajalla.
- 2) Jos tuotteessa ilmenee takuujakson aikana valmistusvaiheessa aiheutunutta tai materiaaleista johtuvaa vikaa, se on palautettava CP-yhtiölle tai sen myyntiedustajalle ja mukaan on liitettävä lyhyt, kyseistä vikaa koskeva kuvaus. CP järjestää harkintansa mukaan maksutta korjauksen tai vaihdon sellaisille tuotteille, joissa todetaan valmistusvaiheessa syntynyt tai materiaalien aiheuttama vika.
- 3) Takuu ei kata tuotteita, joita on käytetty asiattomasti tai väärin tai joihin on tehty muutoksia. Se ei myöskään kata tuotteita, joita on korjattu muita kuin alkuperäisiä CP-yhtiön varaosia käyttämällä tai joiden korjauksen on suorittanut joku muu kuin CP-yhtiö tai sen valtuuttama huoltohenkilöstö.
- 4) Jos CP-yhtiölle aiheutuu kuluja sellaisen vian korjauksesta, joka on syntynyt tuotteen asiattomasta tai vääränlaisesta käytöstä, vahingon aiheuttamasta vaurioitumisesta tai tuotteeseen tehtyjen valtuuttamattomien muutosten seurauksena, yhtiö vaatii näiden kulujen korvaamista kokonaisuudessaan.
- 5) CP ei ota vastattavakseen minkäänlaisia viallisista tuotteista aiheutuneita työkuluja tai muita korvausvaatimuksia.
- 6) Takuu ei kata minkäänlaisia vikojen mahdollisesti aiheuttamia suoranaisia, satunnaisia tai käyttöön vaikuttavia kustannuksia.
- 7) Tämä takuu annetaan kaikkien muiden suorien tai epäsuorien takuiden tai ehtojen asemasta koskien tuotteen laatua, myyntikelpoisuutta tai sopivuutta tiettyyn käyttötarkoitukseen.
- 8) CP-yhtiön myyntiedustajilla, palveluhenkilöstöllä tai työntekijöillä ei ole valtuuksia tehdä minkäänlaisia lisäyksiä tai muutoksia tämän takuun rajoittamiin ehtoihin.

Part no	8940164681	
Issue no	0	
Series no	1	
Date	2008-06	
Page	66	

## INSTRUKTIONSMANUAL

Denna produkt är utvecklad för att montera och ta bort gängande fästelement i trä, metall och plast. Ingen annan användning är tillåten. Endast för professionell användning.

### Specifikationer

Momentområde	300 - 900 Nm
Hastighet	100 r/mn (tr/mn)
Arbetsstryck	3 - 7 bar
Luffförbrukning	19 l/s (40CFM)
Vikt:	
CP7600xB	6.0 kg
CP7600xB-R	6.6 kg
CP7600xB-4P	6.3 kg
CP7600xB-R4P	6.9 kg

### Ljud och vibrationer

Ljud enligt ISO15744	dB(A)
Uppmätt ljudtrycksnivå	79
Beräknad ljudeffektnivå	
Spridning i metod och produktion	3

Vibration enligt ISO 8662-7	m/s <sup>2</sup>
Uppmätt vibrationsvärde	<2.5
Spridning i metod och produktion	

### Meddelande om buller & vibrationer

Dessa värden har uppmätts i laboratoriemiljö enligt gällande standard. Värdena kan användas för att jämföra andra verktygsvärden som har uppmätts enligt samma standarder. Värdena som anges här bör inte användas vid riskbedömning och på vissa arbetsplatser kan de uppmätta värdena vara högre. Det faktiska värdet och den faktiska skaderisken som en enskild användare utsätts för är individuella och beror på en rad faktorer såsom arbets sätt, utformning på arbetsstycket och arbetsstationen, hur länge individen utsätts för påfrestningar och individens fysiska hälsa. Då en riskbedömning görs för en arbetsplats utom vår kontroll kan vi inte hållas ansvariga för konsekvenserna om dessa värden används som riktlinjer, istället för värden som reflekterar arbetets faktiska påfrestningsgrad.

Vi på CP, kan inte hållas ansvariga för konsekvenserna av att använda deklarerade värden vid individuella riskbedömningar, eftersom vi inte har någon möjlighet att utöva en fortlöpande kontroll av förhållandena på berörda arbetsplatser. Detta verktyg kan orsaka vibrationssyndrom på handen-armen om verktyget inte hanteras på rätt sätt. Det finns en EU-guide angående hantering av hand-arm-vibrationer på <http://www.humanvibration.com/EU/VIBGUIDE.htm>. För att förebygga eventuella framtida åkommor rekommenderar vi att hälsokontroller genomförs för att upptäcka tidiga symptom som kan bero på vibrationsrelaterade arbetsuppgifter.



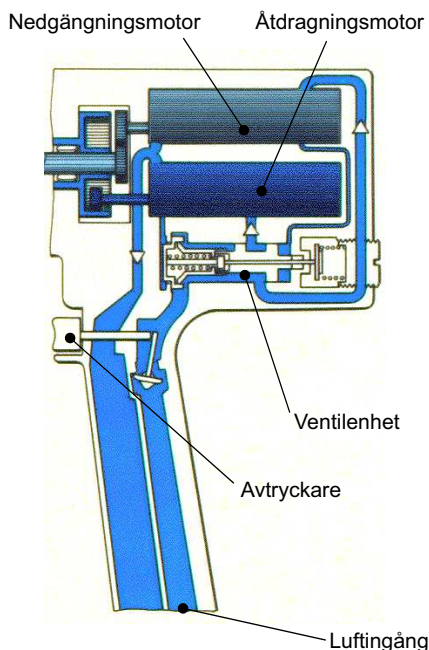
## Copyright

© Copyright 2008, CP. Alla rättigheter förbehållna. All ickeauktoriserad användning eller kopiering av innehållet eller del därav är förbjuden. Detta gäller speciellt för varumärken, modellbeteckningar, komponentnummer och ritningar. Använd endast originaldelar. Skador eller funktionsstörningar, som vållas av att andra delar används omfattas inte av garantin eller produktansvaret.

## Principen

Inuti CP7600 finns en ventil som kombinerar två olika nyckel funktioner:

den förser de båda luftmotorerna med luft och stänger av luftförsörjningen till verktyget.



cs000870

### Nedgångning

När man trycker ner avtryckaren, strömmar luft genom ventilensheten, som förser nedgångsmotorn med luft som därefter börjar rotera. Denna motor driver en växel med låg utväxling som genererar hög hastighet och ett lågt moment.

### Motoromkopplare

När momentet på fyrkantstappen ökar, saktar nedgångsmotorn ner, vilket leder till ett högre lufttryck inuti motorn. Detta högre tryck flyttar ventilensheten till en annan position.

### Åtdragning

Luften leds därefter till åtdragningsmotorn. Denna motor drivs av en högre utväxling som genererar låg hastighet och högt moment.

### Avstängning

När momentet fortsätter att öka saktar åtdragningsmotorn ner, vilket leder till ett högre lufttryck inuti motorn. När lufttrycket når inställt värde på den justerbara fjädern, påverkas en kolv i ventilensheten så att den stänger av hela luftförsörjningen.

### Justering av avstängningen

Vid momeninställning av verktyget justeras fjäderns spänning. Ett bestämt lufttryck (normalt 6,3 bar/90 psi) leder till ett bestämt moment.

## VARNING



En förändring i lufttrycket påverkar även avstängningsproceduren. Om lufttrycket är högre än vid momentinställningen, kommer avstängningen att ske tidigare och momentet blir då lägre än förväntat. Det är väldigt viktigt att CP7600 används med det lufttryck som momentinställnings dokumentationen anger, annars kommer rätt moment inte att uppnås.

## Installation

### Luftkvalitet

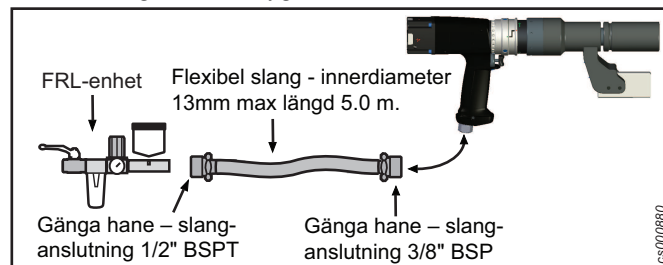
- För bästa prestanda och maximal livslängd för utrustningen rekommenderar vi att man använder tryckluft med dagpunkt mellan +2 °C och +10 °C. Vi rekommenderar även att man installerar en CP lufttorkare med kylfunktion.
- Använd ett separat luftfilter av typ CP. Detta filter tar bort fasta partiklar som är större än 15 mikron, och det tar också bort över 90 % av vatten i vätskeform. Filtret ska installeras så nära maskinen/utrustningen som möjligt, och före övrig luftberedningsutrustning (se Trycklufttillbehör i vår huvudkatalog). Blås igenom slangen före anslutning.
- Tryckluften måste innehålla en liten mängd olja. Vi rekommenderar starkt att man installerar en CP oljedimsmörjare. Denna ställs normalt in på 3-4 droppar olja (50 mm<sup>3</sup>) per m<sup>3</sup> förbrukad tryckluft vid användning av tryckluftverktyg som har långa arbetscykler. Man kan även använda en enpunktssmörjare typ CP, för verktyg som har korta arbetscykler. Vad gäller smörjfria verktyg är det upp till kunden att avgöra vilken kringutrustning som ska användas. Det är dock ingen nackdel om tryckluften innehåller en liten mängd olja som t.ex. matas från en dimsmörjare. Turbinverktyg måste dock hållas fria från olja.

### Tryckluftsanslutning

- Maskinen är avsedd för ett arbetstryck (e) av 3–7 bar = 300–700 kPa.
- Blås ren slangen innan den ansluts.

### Rekommenderad installation

För att garantera att verktyget används korrekt vill vi starkt rekommendera att ni följer bifogat installationsförslag, från luftanslutningen till verktyget.



cs000880

## Hantering

### Åtdragningsmoment

För att få en god åtdragningsnoggrannhet och driftsäkerhet skall åtdragningsmomentet vara korrekt för skruvförbandet. Prova inställt åtdragningsmoment på det aktuella förbandet.

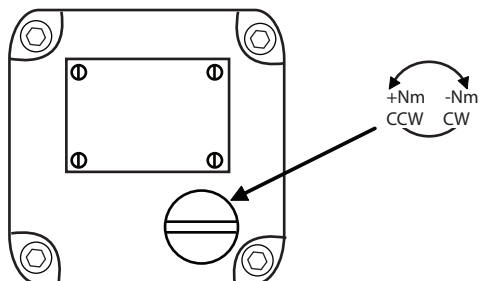
Part no	8940164681
Issue no	0
Series no	1
Date	2008-06
Page	68



Luftrycket från FRL-enheten är satt enligt trycket angivet på momentinställningsdokumentationen vid full hastighet (avtryckaren i botten utan motstånd i några sekunder), vanligtvis 6.0 - 6.3 bar.

### 1-positions momentinställning

Justera momentet med justeringsverktyget. Momentet ökas genom när man skruvar motsols. Efter justeringen kontrollera åtdragningsmomentet i åtdragningsförbandet

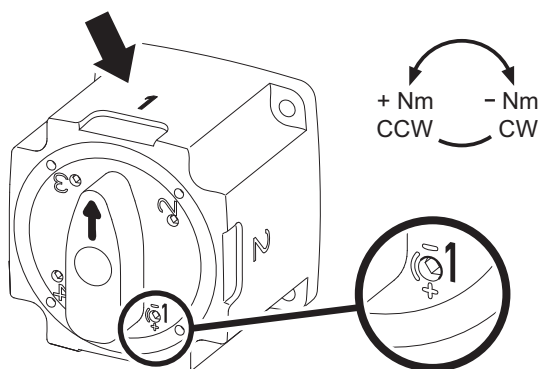


cs000850

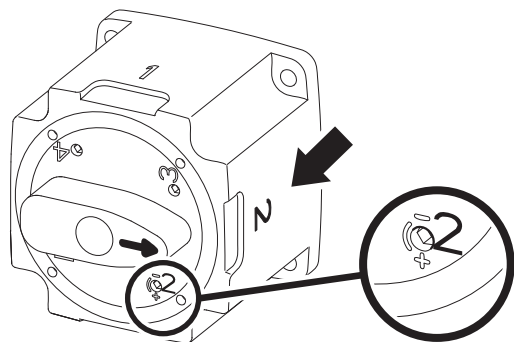
- Om avstängningen sker vid hög hastighet (rpm), ökar högmomentets spridning. Då är det lämpligt att man sänker luftrycket.

### 4-positions momentinställning

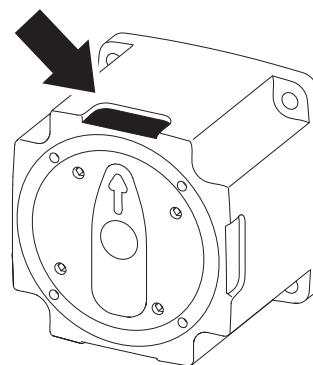
För att ställa in moment 1, justera omkopplaren så att den pekar på referensmärket på huset. Justera skruv 1. Se på märkningen hur man ökar/minskar momentet. För att ställa in moment 2, justera omkopplaren så att den pekar på referensmärket på huset. Justera skruv 2.



cs000800



cs001040

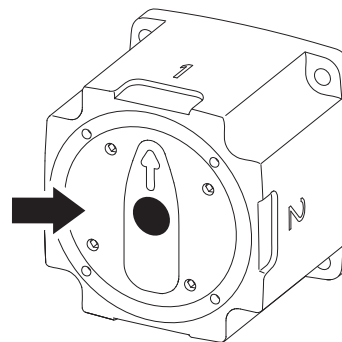


cs001050

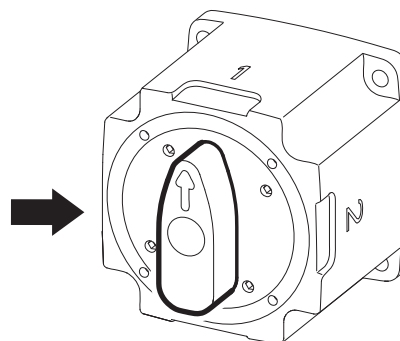
Kom ihåg dina momentinställningar genom att märka inställningarna på de fyra avsedda ytorna på huset.

### Användningsinstruktioner Val av momentinställning

Tryck på den svarta knappen. Vrid omkopplaren till önskad position. Tryck in omkopplaren igen.



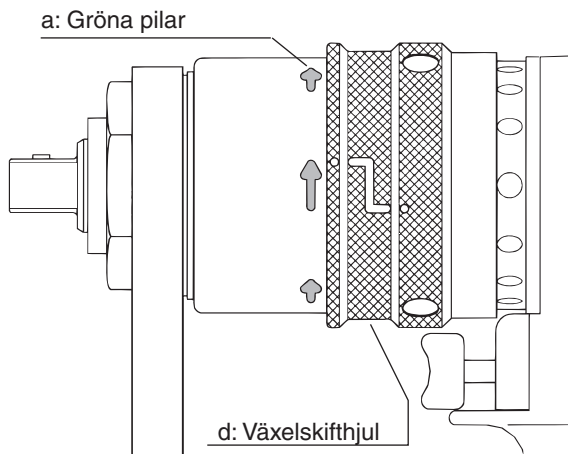
cs000810



cs001060



### Reverseringsringens läge - medsols växelposition



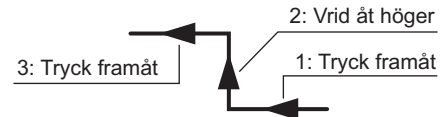
cs000940

### VARNING



Byt aldrig växel när verktyget är i drift.  
Starta aldrig verktyget när växeln är i läge mellan de fasta positionerna.

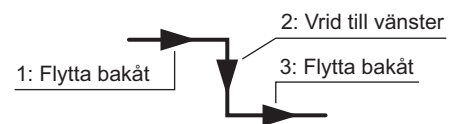
Fatta växelringen med handen och tryck den framåt – höger – framåt, se figur nedan.



cs000970

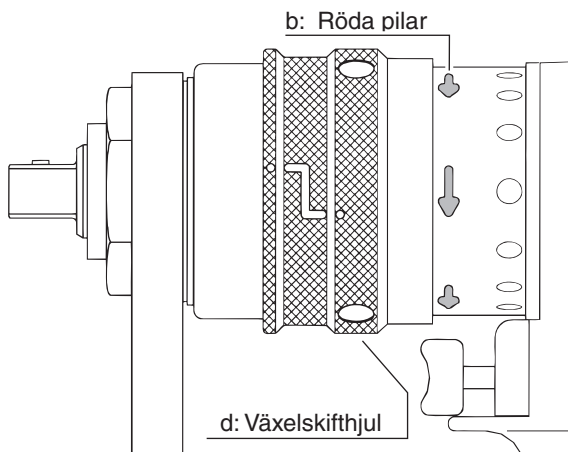
Den röda pilen indikerar riktningen vid start, dvs. verktyget kommer att gå motsols när den startar i detta läge.

För att byta tillbaka till medsols, för ringen bakåt – vänster – bakåt, se figur nedan.



cs000980

### Reverseringsringens läge - motsols växelposition



cs000950

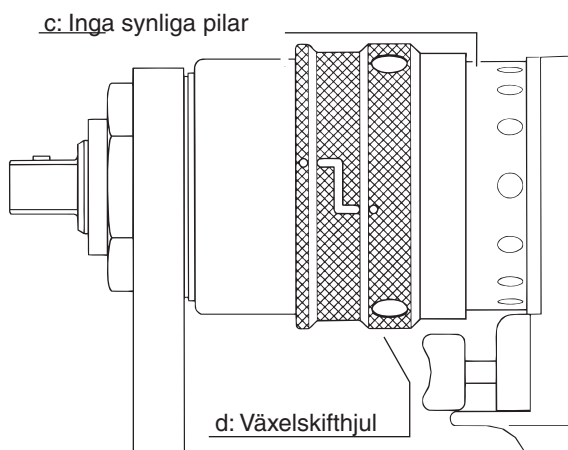
Den gröna pilen indikerar riktningen vid start, dvs. verktyget kommer att gå medsols i detta läge. Det är inte nödvändigt att hålla ringen på plats, den stannar kvar av sig själv.

### Förlängd mothållsarm med blad

Kontrollera att bladet är korrekt fastsatt i mothållet.

Montera mothållet i önskad position – motsatt riktning jämfört med verktyget – innan start av verktyget.

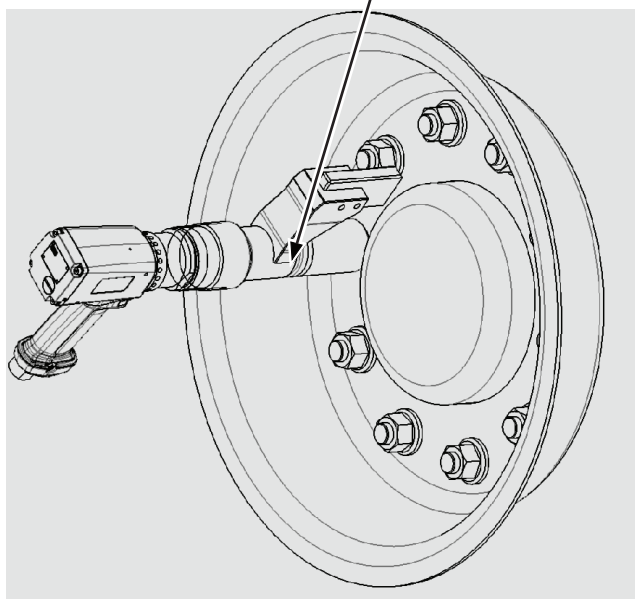
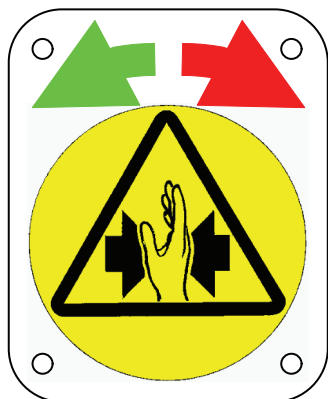
### Reverseringsringens läge - mellan växelposition



cs000960

### Anvisningar för reversering

Eftersom växelläget inte automatiskt går tillbaka till ett fast läge, är det viktigt att man alltid kollar om växeln är i medsols- eller i motsolsläge (med alla pilar klart synliga) innan man startar maskinen.



## Underhåll

### För maximal effekt

För bibehållen prestanda och maximal livslängd är det viktigt med regelbunden smörjning. Motorn skall smörjas med olja, som tillförs tryckluften eller verktyget vid luftanslutningen.

Smörj pådrag, planetväxlar, nållager och kullager med fett vid den regelbundna översynen av maskinen.

Vinkelväxeln och kopplingen måste smörjas med ett fett som innehåller molybdendisulfid, t. ex. Molykote BR 2 Plus eller motsvarande av annat fabrikat.

Använd smörjmedel av god kvalitet. De oljor och fett, som finns upptagna i tabellen är exempel på rekommenderade smörjmedel.

### Rostskydd och invändig rengöring

Vatten i tryckluften, damm och slitpartiklar vållar rostbildning och kärvande lameller, ventiler etc. Ett luftfilter bör monteras nära maskinen (se 'Luftkvalitet').

### Serviceanvisningar

Översyn och preventivt underhåll rekommenderas vid jämna intervaller en gång per år eller senast efter 250 000 åtdragningar, beroende på vilket som uppträder först. Tätare översyn kan krävas, om maskinen används vid höga moment och långa åtdragningstider. Om maskinen inte fungerar korrekt skall den omedelbart tas ur drift för inspektion.

Filtret på luftintaget och utloppets ljuddämpare skall rengöras regelbundet för att undvika att de sätts igen av föroreningar.

Annars reduceras maskinens kapacitet.

Vid översynen skall alla delar rengöras noggrant och defekta eller slitna delar (t ex O-ringar, lameller) skall bytas ut.

### Isärtagning / hopsättning

Det är viktigt att maskinens gängade anslutningar dras åt korrekt, d v s enligt specificerade värden på sprängskisserna.

Smörj O-ringar och gängade anslutningar med fett före hopsättning.

### Rengöring

Rengör samtliga delar i lacknafta eller likvärdigt rengöringsmedel.

För att förhindra igensättning och nedsatt effekt kan det vara nödvändigt att rengöra silen (om sådan finns) och utloppsfiltret mellan servicetillfällena.

### Kontroll

Efter rengöring, kontrollera samtliga delar. Byt skadade och utslitna delar.

### Smörjning

Smörj särskilt kugghjulen, ventilen och kopplingen med fett innehållande molybdendisulfid (t ex Molykote BR2 Plus). Se sprängskisserna och figuren under Serviceanvisningar.

### Rekommenderade smörjfetter för mutterdragare

Märke	Lager	Frihjulsenhet (kuggkrans och kugghjul)	Frihjul
BP			Energrease LS-EP2
Castrol	Spheerol EP L2		
Esso	Beacon EP2		Beacon EP2
Q8	Rembrandt EP2		Rembrandt EP2
Mobil	M.Grease XHP 222		
Shell	Alvania EP2		Alvania EP2
Texaco	Multifak EP2		
Molycote			
Lubricating		Suntemp LE 9102	
STP		Oil treatment	

Märke	Kuggväxlar	Allmänt syfte
Bp		Energrease LS-EP2
Castro		Spheerol EP L2
Esso		Beacon EP2
Q8		Rembrandt EP2
Mobil		Mobilegrease XHP 222
Shell		Alvania EP2
Texaco		Multifak EP2
Molycote	BR2 Plus	

## Säkerhetsanvisningar

### Varning

Använd inte maskinen utan att först ha gjort dig väl förtrogen med anvisningarna.

Maskinen och dess tillbehör får endast användas för avsett ändamål.

Alla lokala säkerhetsföreskrifter avseende installation, drift och underhåll skall alltid åtföljas.

Installation och service får endast utföras av behörig personal.

Koppla bort maskinen från tryckluftsledningen före justering (t.ex. byte av hylsa).

Kontrollera rotationsriktningen innan du använder maskinen.

Segdragande mutterdragare med mothåll kräver speciell uppmärksamhet av operatören för att undvika klämskador.

Maskinen får inte användas utan att operatören har nödvändig kunskap och träning i hur maskinen fungerar under olika förhållanden, speciellt beträffande säkerhet. Se även instruktioner under avsnittet "Mothåll".

**Maskinen får endast användas tillsammans med tillhörande mothåll**, som anpassats till det aktuella skruvförbandet. Se vidare instruktion under rubriken "Mothåll".

**Håll ej handen på eller invid mothållet** när maskinen används.

Kontrollera att krafthylsan är ordentligt fastsatt. Byt vid behov spärrtappen – Byt ut slitna hylsor.

Håll händer, långt hår och övriga föremål borta från den roterande hylsan.

Om upphängningsbygel används, kontrollera att denna är felfri och korrekt monterad.

## CP-GARANTI

- 1) Denna CP-produkt garanteras mot defekt utförande eller material i en period av högst 12 månader efter inköpsdatum från CP eller deras ombud, förutsatt att dess användning är begränsad till enkelskiftarbete under hela denna period. Om användningsfrekvensen överskrider enkelskiftarbete skall garantiperioden reduceras i motsvarande mån.
- 2) Om produkten under garantiperioden verkar vara defekt beträffande utförande eller material, skall den återlämnas till CP eller dess ombud tillsammans med en kortfattad beskrivning av den påstådda defekten. CP skall efter eget gottfinnande ordna med reparation eller utbyte av sådana komponenter som anses felaktiga på grund av defekt utförande eller material.
- 3) Denna garanti upphör att gälla för produkter som misshandlats, missbrukats eller modifierats, eller som har reparerats med något annat än äkta CP-reservdelar eller av någon annan än CP eller dess auktoriserade serviceombud.
- 4) Om CP skulle ådraga sig någon utgift vid åtgärdandet av en defekt som orsakats av misshandel, missbruk, ofrivillig skada eller icke auktoriserad modifiering kräver de att denna utgift till fullo betalas.
- 5) CP accepterar inte att anspråk görs på arbetskostnader eller andra omkostnader för defekta produkter.
- 6) Alla direkta eller tillfälliga skador eller följdskador som uppkommer på grund av någon defekt undantages uttryckligen.
- 7) Denna garanti lämnas i stället för alla andra garantier, eller villkor, uttryckliga eller underförstådda, beträffande kvalitet, säljbarhet eller lämplighet för något bestämt ändamål.
- 8) Ingen, vare sig ombud, tjänsteman eller arbetstagare hos CP har befogenhet att lägga till eller modifiera villkoren i denna begränsade garanti på något sätt.

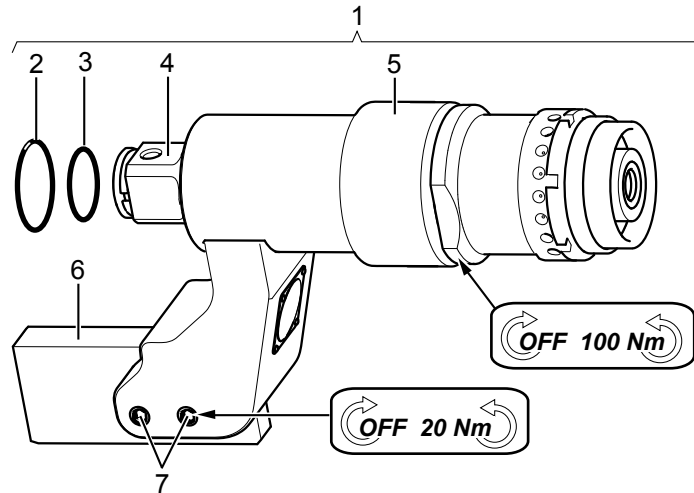


## Exploded views/tables

### Spare parts

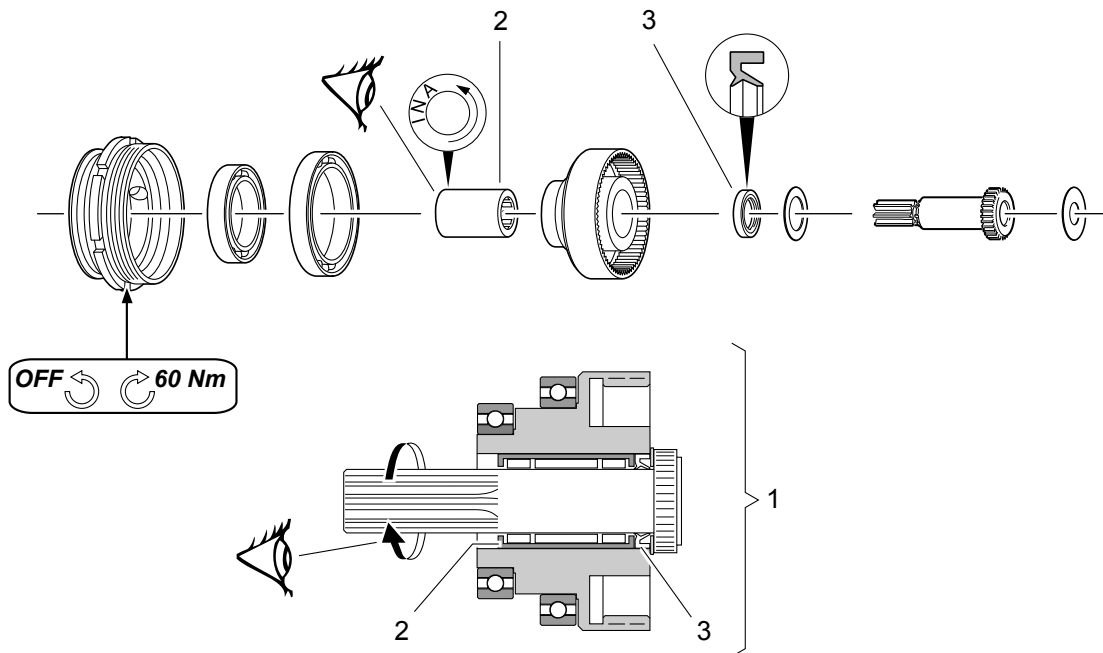
Parts without ordering number are for technical reasons not delivered separately. The use of other than genuine CP replacement parts may result in decreased tool performance and increased maintenance and may, at the company option, invalidate all warranties.

### Gear unit - R



Ref. No.	Ordering No.	Qty	Description	Remark / Included in Service kit
1(2-7)	8940 1646 58	1	Complete gear unit - R	
2	8940 1621 93	1	Ring - socket retaining	
3	8940 1621 95	1	O-ring	
4	8940 1646 56	1	US planetary gear assembly	
5	8940 1646 64	1	US gear box complete - R	
6	8940 1646 41	1	Blade	
7	8940 1661 80	1	Screws kit	

### Free wheel unit -R

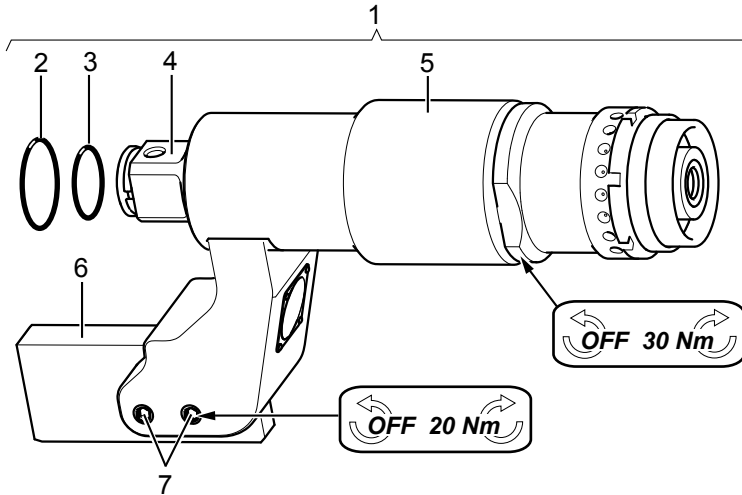


Ref. No.	Ordering No.	Qty	Description	Remark / Included in Service kit
1(2-3)	8940 1658 56	1	Complete free wheel unit -R	

Part no	8940164681
Issue no	0
Series no	1
Date	2008-06
Page	74

Ref. No.	Ordering No.	Qty	Description	Remark / Included in Service kit
2	-	1	Free wheel	FCB-12 / Service kit 8940 1658 50
3	-	1	Seal ring	SD12x8x3 / Service kit 8940 1658 50

### Gear unit - no R

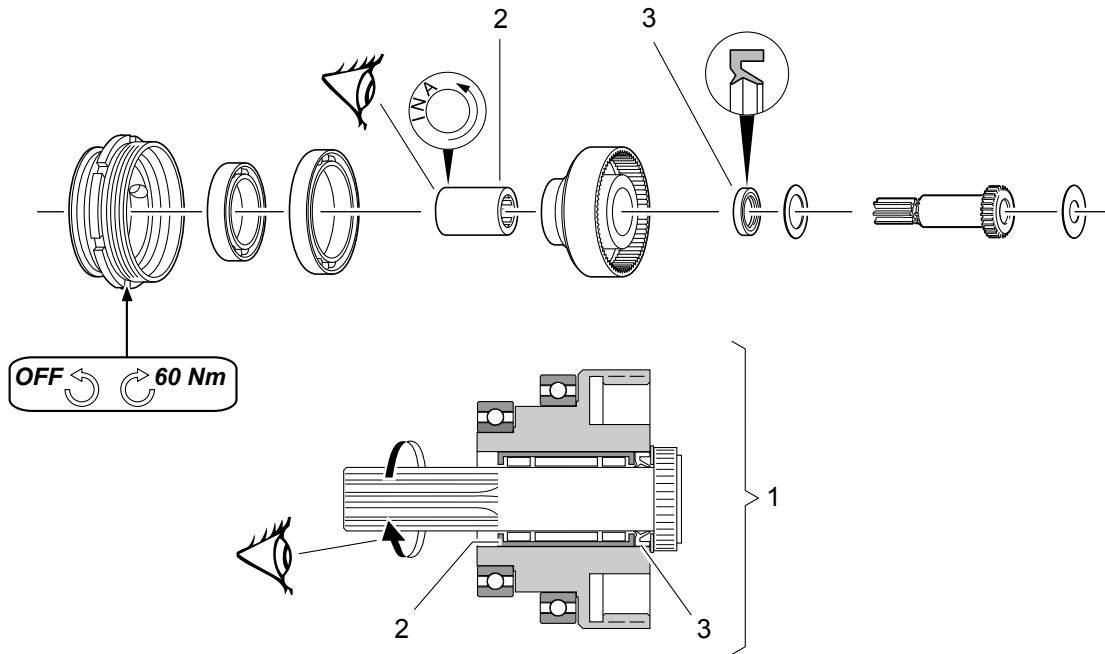


c000910

Ref. No.	Ordering No.	Qty	Description	Remark / Included in Service kit
1(2-7)	8940 1646 52	1	Complete gear unit - no R	
2	8940 1621 93	1	Ring - socket retaining	
3	8940 1621 95	1	O-ring	
4	8940 1646 56	1	US planetary gear assembly	
5	8940 1646 54	1	US gear box complete - noR	
6	8940 1646 41	1	Blade	
7	8940 1661 80	1	Screws kit	



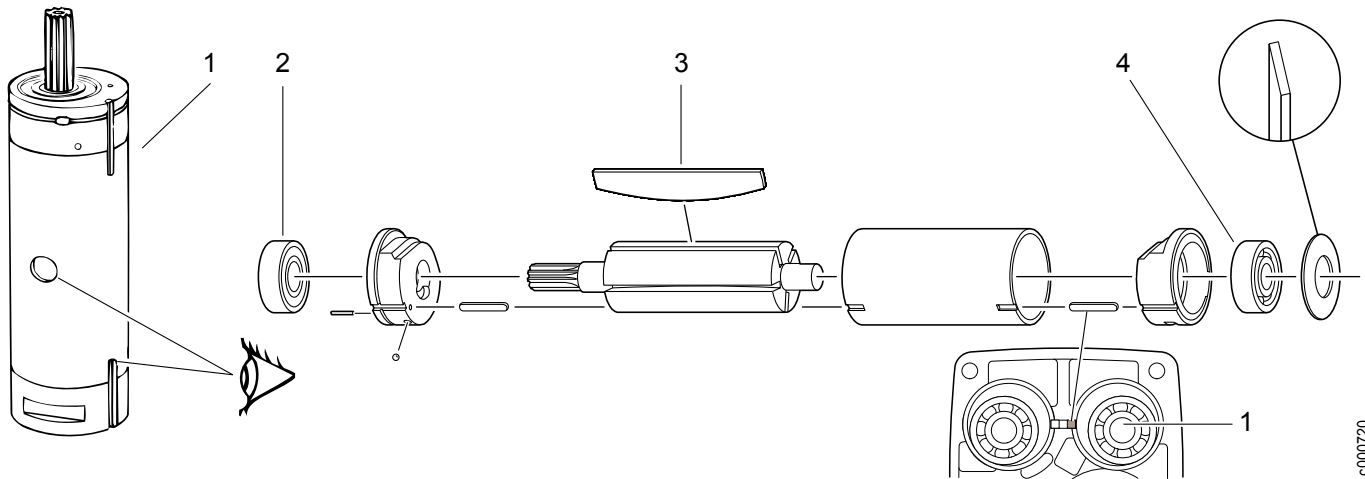
### Free wheel unit - no R



c000711

Ref. No.	Ordering No.	Qty	Description	Remark / Included in Service kit
1(2-3)	8940 1658 57	1	Complete free wheel unit - no R	
2	-	1	Free wheel	FCB-12 / Service kit 8940 1658 50
3	-	1	Seal ring	SD12x8x3 / Service kit 8940 1658 50

### Tightening motor

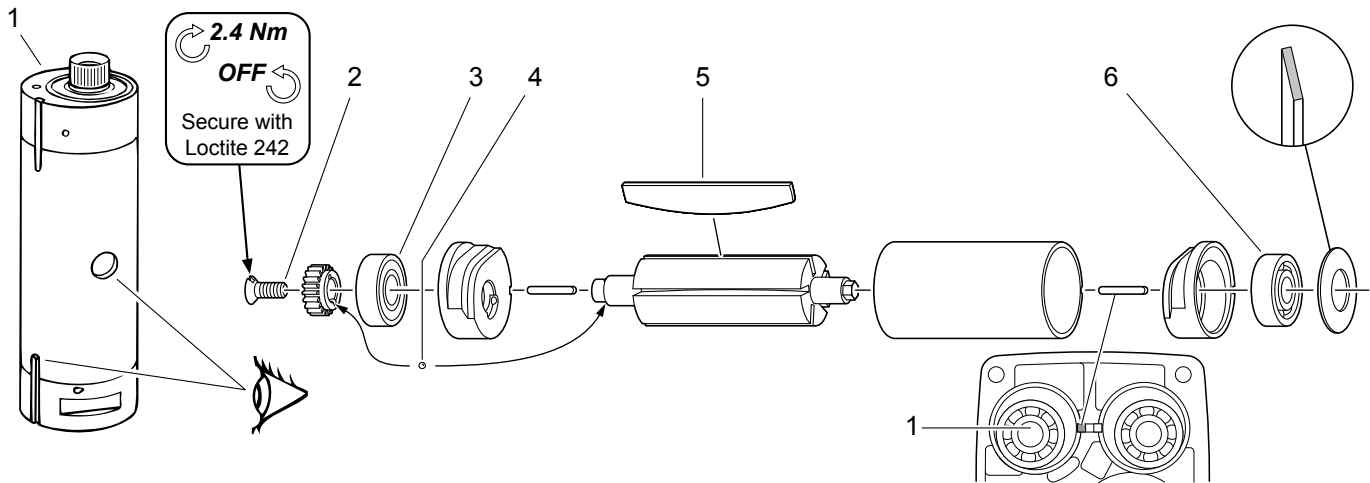


c000720

Ref. No.	Ordering No.	Qty	Description	Remark / Included in Service kit
1(2-4)	8940 1658 58	1	Tightening motor, complete	
2	-	1	Ball bearing	698Z
3	-	5	Vane	Service kit 8940 1658 50
4	-	1	Ball bearing	607 / Service kit 8940 1658 50

Part no	8940164681
Issue no	0
Series no	1
Date	2008-06
Page	76

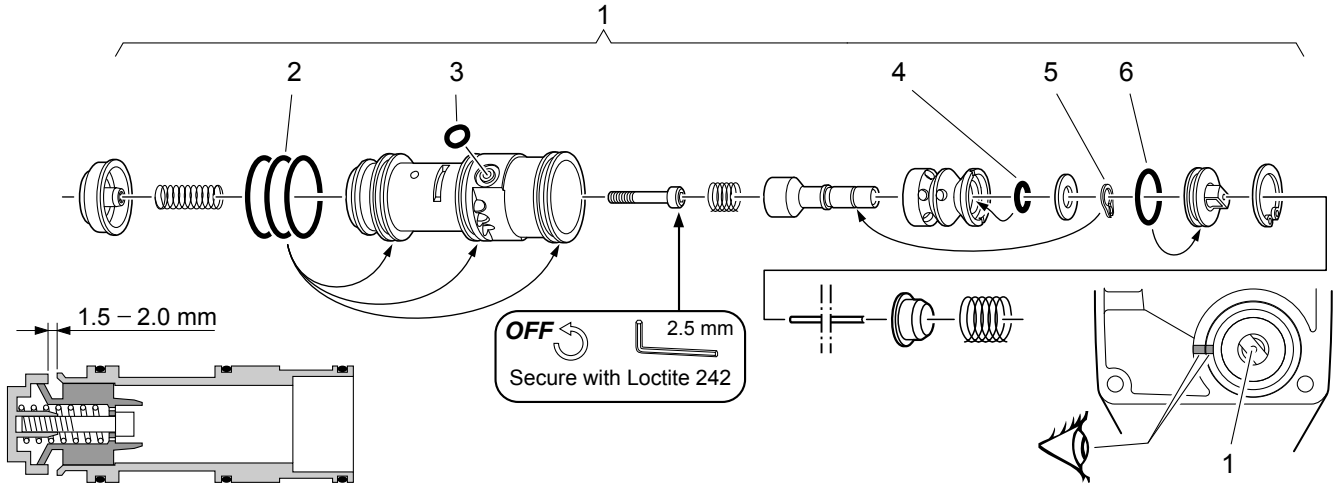
### Run down motor



c000730

Ref. No.	Ordering No.	Qty	Description	Remark / Included in Service kit
1(2-6)	8940 1658 59	1	Run down motor compl.	
2	-	1	Screw	MFS 4x10 / Service kit 8940 1658 50
3	-	1	Ball bearing	698Z / Service kit 8940 1658 50
4	-	1	Ball	1.5mm / Service kit 8940 1658 50
5	-	5	Vane	Service kit 8940 1658 50
6	-	1	Ball bearing	607 / Service kit 8940 1658 50

### Valve unit

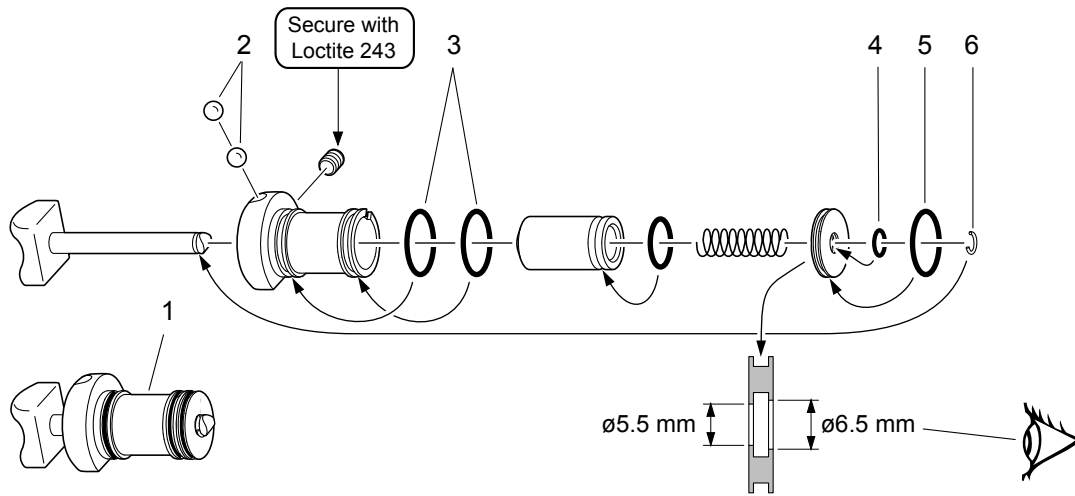


c000740

Ref. No.	Ordering No.	Qty	Description	Remark / Included in Service kit
1(2-6)	8940 1658 53	1	Valve unit compl.	
2	-	3	O-ring	19.1x1.6 / Service kit 8940 1658 50
3	-	1	O-ring	4.1x1.6 / Service kit 8940 1658 50
4	-	1	O-ring	5.28x1.78 / Service kit 8940 1658 50
5	-	1	Circlip	
6	-	1	O-ring	12.1x1.6 / Service kit 8940 1658 50



### Trigger valve

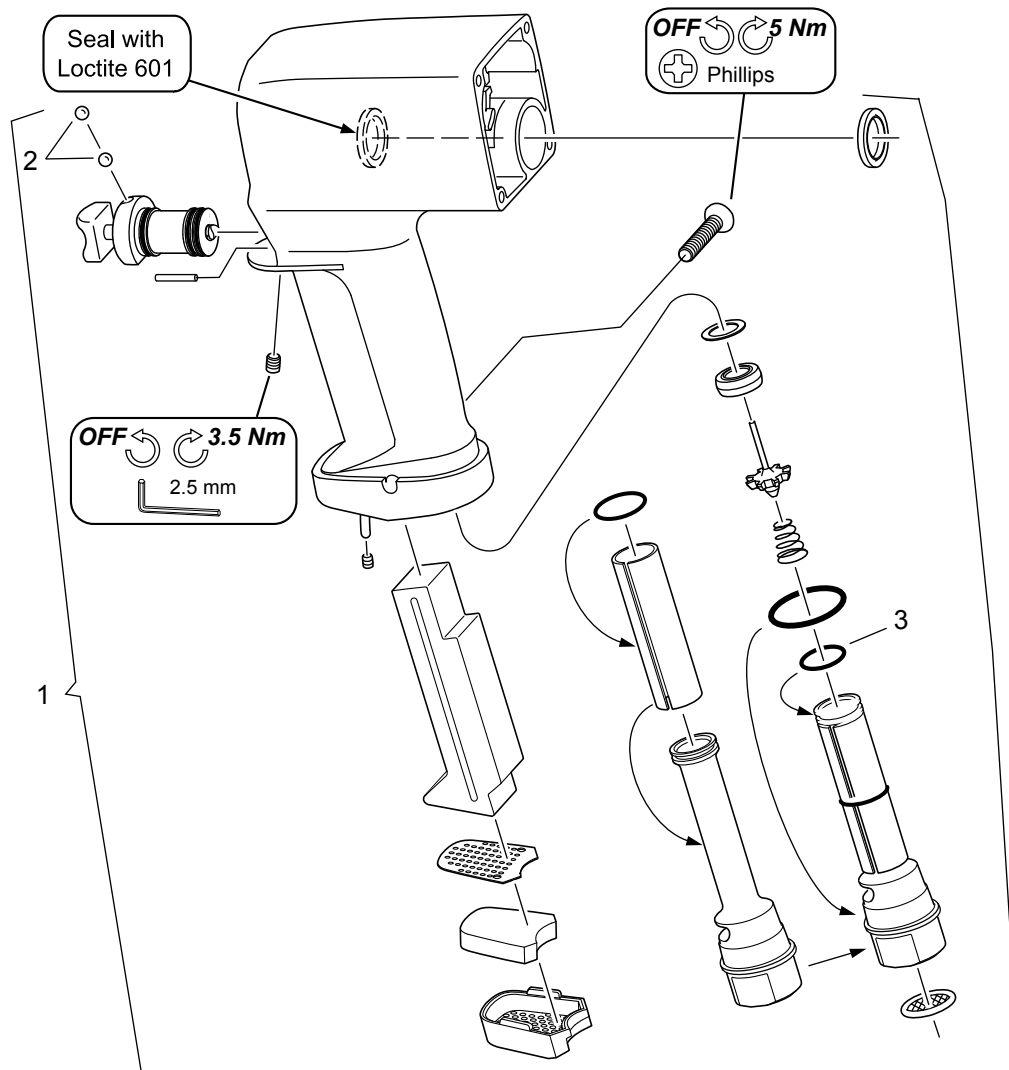


c000750

Ref. No.	Ordering No.	Qty	Description	Remark / Included in Service kit
1(2-6)	8940 1658 54	1	Trigger valve compl.	
2	-	2	Ball	Service kit 8940 1658 50
3	-	2	O-ring	19.1x1.6 / Service kit 8940 1658 50
4	-	1	O-ring	5.1x1.6 / Service kit 8940 1658 50
5	-	1	O-ring	15.1x1.6 / Service kit 8940 1658 50
6	-	1	Lock ring	Service kit 8940 1658 50

Part no	8940164681
Issue no	0
Series no	1
Date	2008-06
Page	78

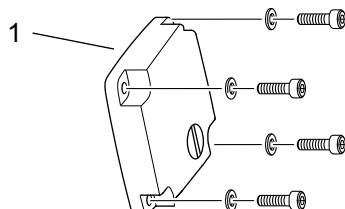
### Motor casing



c000760

Ref. No.	Ordering No.	Qty	Description	Remark / Included in Service kit
1(2-3)	8940 1658 55	1	Motor casing	
2	-	2	Ball	5mm. / Service kit 8940 1658 50
3	-	1	O-ring	15.1x1.6 / Service kit 8940 1658 50

### Motor cover

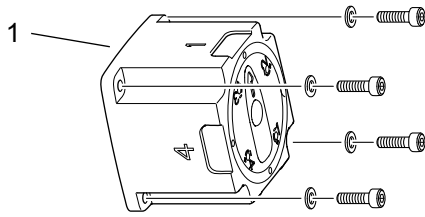


c000780

Ref. No.	Ordering No.	Qty	Description	Remark / Included in Service kit
1	8940 1658 52	1	Motor cover	



### 4-position selector



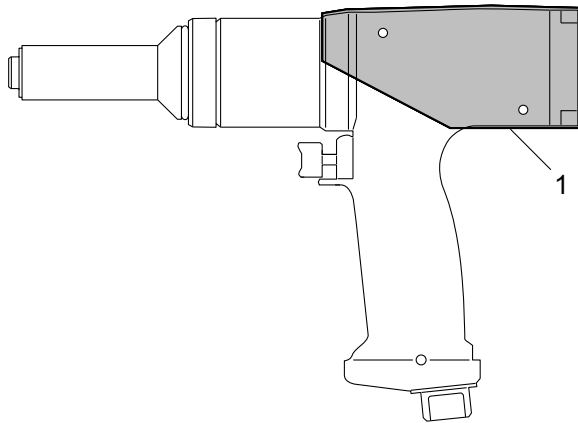
c000770

Ref. No.	Ordering No.	Qty	Description	Remark / Included in Service kit
1	8940 1658 51	1	4-position selector	

### Included accessories

#### Protective covers

Protective cover

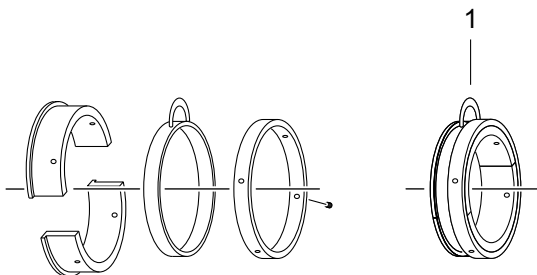


c000790

Ref. No.	Ordering No.	Qty	Description	Remark / Included in Service kit
1	8940 1646 48	1	Black protective cover	for CP7600 with motor cover
1	8940 1646 49	1	Blue protective cover	for CP7600 with motor cover
1	8940 1646 50	1	Black protective cover	for CP7600 with 4-position selector
1	8940 1646 51	1	Blue protective cover	for CP7600 with 4-position selecto

### Optional accessories

#### Suspension yoke



c000830

Ref. No.	Ordering No.	Qty	Description	Remark / Included in Service kit
1	8940 1666 54	1	Suspension yoke	for CP7600 reverse
1	8940 1666 59	1	Suspension yoke	for CP7600 none reverse

Part no	8940164681	
Issue no	0	
Series no	1	
Date	2008-06	
Page	80	

## Power sockets

Ref. No.	Ordering No.	Qty	Description	Remark / Included in Service kit
1	8940 1646 76	1	1" Surface drive 30 metric	Square drive
1	8940 1646 77	1	1" Surface drive 32 metric	Square drive
1	8940 1646 78	1	1" Surface drive 33 metric	Square drive
1	8940 1646 79	1	1" Thin wall socket 32 metric	Square drive
			deep	
1	8940 1646 80	1	1" Thin wall socket 33 metric	Square drive
			deep	

## Service Kits

### Service Kit

Ordering No. 8940 1658 50

Ordering No.	Qty	Description	Remark / Included in Service kit
-	1	Screw	
-	1	Circlip	SgA 5
-	2	Ball bearing	607
-	2	Ball bearing	698 Z
-	1	Ball	1.5mm
-	5	Ball	5mm
-	1	O-ring	4.1x1.6
-	1	O-ring	5.1x1.6
-	2	O-ring	11.1x1.6
-	1	O-ring	12.1x1.6
-	4	O-ring	15.1x1.6
-	3	O-ring	19.1x1.6
-	1	O-ring	5.28x1.78
-	1	Seal ring	
-	1	Free wheel	
-	10	Vane	
-	1	Bushing	
-	1	Lock ring	

Kit for a variety of products. Some parts might remain unused.

