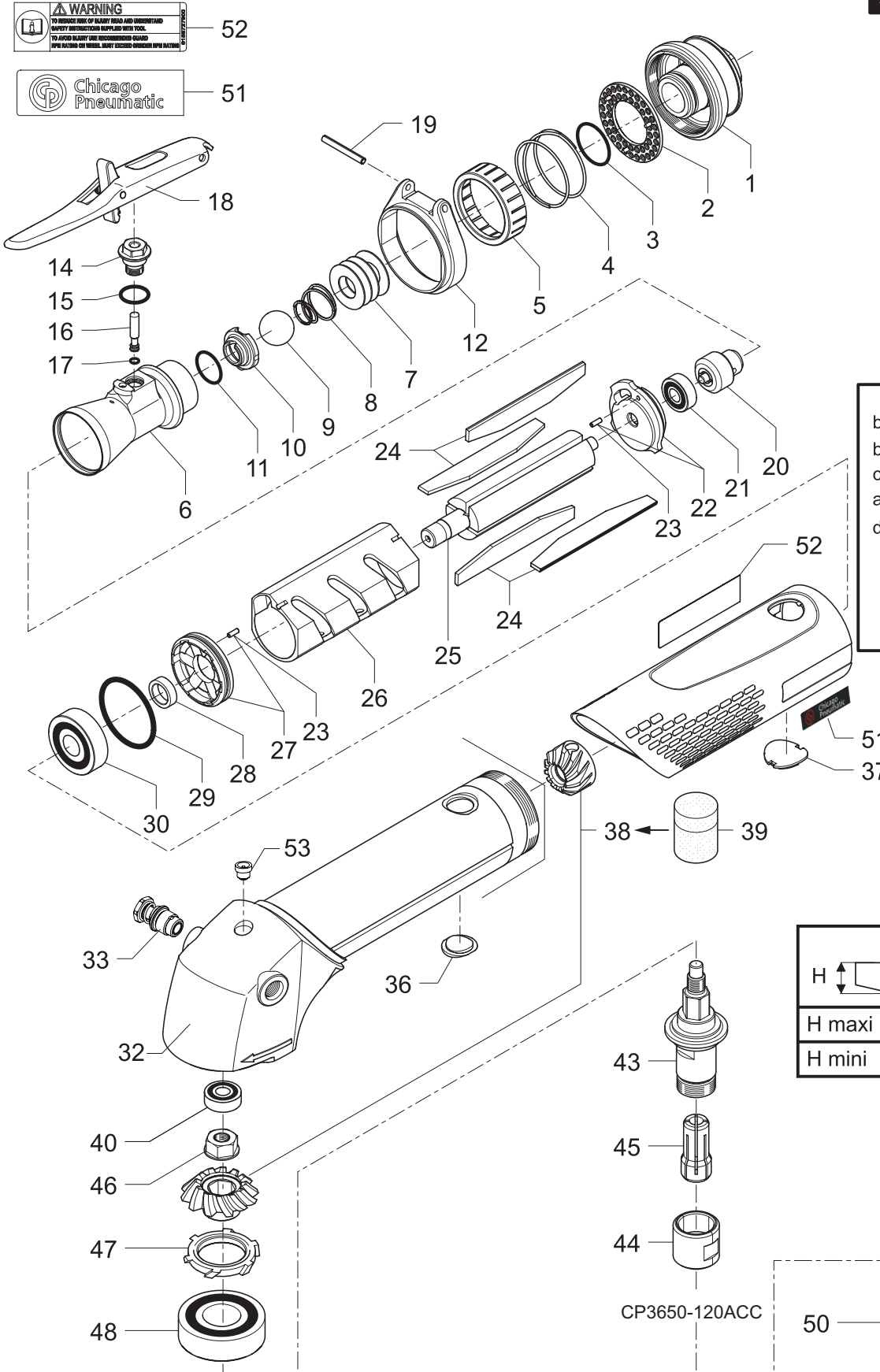


WARNING
 TO REDUCE RISK OF SERIOUS INJURY AND DEATH
 SAFETY INSTRUCTIONS SUPPLIED WITH TOOL.
 TO AVOID SERIOUS OR FATAL INJURY, ALWAYS
 READ AND UNDERSTAND ALL SAFETY INSTRUCTIONS.



***** Tightening direction
 Sens de serrage
 Sentido de apriete
 Anziehrichtung
 Senso di serraggio
 Sentido de aperto
 Kiristyssuunta
 Åtdragningsriktning
 Tilstrammingsretning
 Tilspændingsretning
 Schroefrichting
 Φορά σύσφιξης
 上紧方向
 Meghúzás iránya
 Pievilkšanas virziens
 Kierunek dokręcania
 Směr utahování
 Smer uťahovania
 Smer zatesnjevanja
 Sukimo kryptis
 Направление затяжки

	*	
b) 50 / 32		60 Nm
b) 33 / 32		3 Nm
c) 20 / 25		2 Nm
a) 13 / 6		3 Nm
d) 1 / 32		30 Nm
46 / 41		30 Nm
46 / 42		30 Nm
46 / 43		30 Nm
38 / 25		30 Nm

a) : "Loctite 222"
 b) : "Loctite 243"
 c) : "Loctite 641"
 d) : "Loctite 270"

H	mm
H maxi	10.85
H mini	9.8

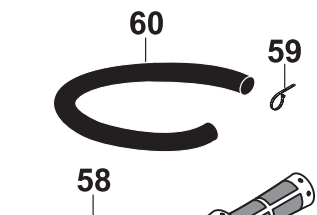
	rpm
CP3650-120ACC	12000

Index No.	Part No.	Description	Qty.	Index No.	Part No.	Description	Qty.
A	2050556023	Silencer Kit		J	2050556073	Motor Bearing Kit	1
2		Silencer	1	30		Bearing	1
3		O-Ring	1	21		Bearing	1
4		Spring Cylindrical		K	2050556013	Small parts kit	1
5		Valve	1	46		Nut	1
B	6153967360	Bushing Complete		47		Deflector	1
14		Bushing	1	23		Pin	1
15		O-Ring	1	19		Pin	1
16		Pin	1	4		Spring Cylindrical	1
17		O-Ring	1				
C	2050556033	Valve Kit		1	6153967390	Adapter	1
8		Spring Conical	1	7	6156452290	Disc Spring	1
9		Ball	1	12	6155960040	Lever Bracket	1
10		Valve seat	1	18	6153967350	Safety lever	1
11		O-Ring	1	20	6154570490	Governor 19K	1
D	2050556043	Rear Endplate Kit		25	6154261200	Rotor	1
21		Bearing	1	26	6154001480	Cylinder	1
22		Rear Endplate	1	43	501.94	Collet Holet	1
E	2050556063	Blades Kit		44	6156071440	Nut	1
24		Blade	4	45	6155260630	Serie 200 Resilent collet dia 1/4" (Ø5,55mm to Ø6,35mm)	1
F	2050556053	Front Endplate Kit		50	673.98	Plug	1
27		Front Endplate	1				
28		Plate Spacer	1	L	2050556003	Tune Up Kit	
29		O-Ring	1	24	2050556063	Blade Kit	1
30		Bearing	1	3		O-Ring	1
G	6153933320	Housing Complete Kit 12000RPM		11		O-Ring	1
32		Housing	1	15		O-Ring	1
33		Stopfinger Complete	1	17		O-Ring	1
53		Greaser	1	29		O-Ring	1
31		Insulator 12000RPM	1				
37		External cover	1				
51		Left side brand name plate	1				
52		Warning label	1				
36		Cover	1				
1		Adaptater	1				
39	396.001	Grease Kit - 5g	1				
H	399.480	Bevel Gear paired set					
38		Bevel gear	1				
39	396.001	Grease Kit - 5g	1				
I	2050556083	Output Bearing Kit					
40		Bearing	1				
46		Nut	1				
47		Deflecotr	1				
48		Bearing	1				



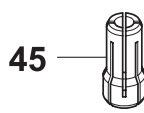
6159948750	SAFETY INSTRUCTIONS DIE GRINDERS	2050556683 REV03 05/2012
2050556703	OPERATOR'S MANUAL	
2050556543	CE DECLARATION DIE GRINDER	

ACCESSORIES INCLUDED

	Item	New part no	Qty	Description
	58	6157040270	1	3/8" air hose nipple for 1/2" (13mm) ID hose
	59	6152630240	2	Hose clamp
	60	6158751130	1	Exhaust hose
	55	6155760660	1	Vibration-damping side handle
	62	6158010760	1	Spanner wrench 19 mm

OPTIONAL ACCESSORIES

Optional	Item	New part no	Qty	Description
	54	6153961660	1	Silencer kit
	55	6155760660	1	Vibration-damping side handle
	59	6152630240	1	Hose clamp
	73	6153969570	1	Clippable silencer
	74	6158751160	1	Reinforced cloth-lined exhaust hose L=30" (0.75m)
	76	6159901490	1	Grease gun include 24g
	77	6159901480	1	Grease for bevel gear (1kg)
	78	6154340640	1	Blades kit (x100)

Optional	Item	New part no	Qty	Description
	45	6155260610	1	Serie 200 resilient collet Ø1/8" (2,4 to 3,2 mm)
	45	6155260620	1	Serie 200 resilient collet Ø5,2 to 6 mm
	45	6155260640	1	Serie 200 resilient collet Ø7,2 to 8 mm
	45	6155260650	1	Serie 200 resilient collet Ø3/8" (8,7 to 9,5 mm)