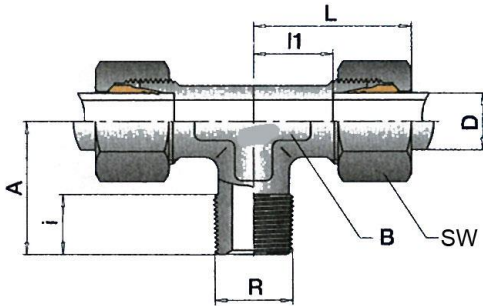


ES 93

Winkel-Einschraubverschraubungen, Außengewinde konisch nach ISO 7-1

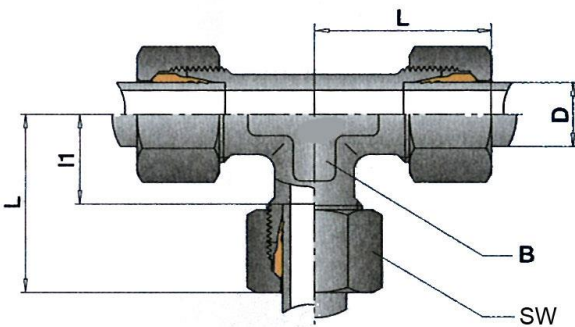
Artikel Nr.	Ident Nr.	PN	Ø D mm	Gewinde	i mm	SW mm	B mm	A mm	L mm	l ₁ mm
ES 85	112411	100	4	R 1/8	8,0	10	9,0	17,0	21,0	11,0
ES 87	112412	100	6	R 1/8	8,0	12	9,0	17,0	21,0	9,5
ES 88	112413	100	8	R 1/8	8,0	14	12,0	20,0	23,0	11,5
ES 90	112414	315	6	R 1/8	8,0	14	12,0	20,0	26,5	12,0
ES 91	112415	315	8	R 1/8	8,0	17	12,0	24,0	28,5	14,0
ES 92	112416	315	6	R 1/4	12,0	14	12,0	24,0	26,5	12,0
ES 93	112417	315	8	R 1/4	12,0	17	12,0	26,0	28,5	14,0
ES 94	112418	315	10	R 1/4	12,0	19	14,0	27,0	29,5	15,0
ES 95	112419	315	12	R 1/4	12,0	22	17,0	28,0	32,0	17,0
ES 96	112420	315	6	R 3/8	14,0	14	14,0	27,0	32,5	15,0
ES 97	112421	315	8	R 3/8	12,0	17	14,0	27,0	29,5	15,0
ES 98	112422	315	10	R 3/8	12,0	19	14,0	28,0	29,5	15,0
ES 99	112423	315	12	R 3/8	12,0	22	17,0	28,0	32,0	17,0
ES 100	112424	315	15	R 3/8	12,0	27	19,0	32,0	40,3	21,0
ES 101	112425	315	10	R 1/2	14,0	19	19,0	31,0	29,5	15,0
ES 102	112426	315	12	R 1/2	14,0	22	19,0	32,0	36,0	21,0
ES 103	112427	315	15	R 1/2	14,0	27	19,0	34,0	36,0	21,0
ES 104	112428	315	18	R 1/2	14,0	32	24,0	36,0	44,2	23,5



ES 117

T-Einschraubverschraubungen, Außengewinde konisch nach ISO 7-1

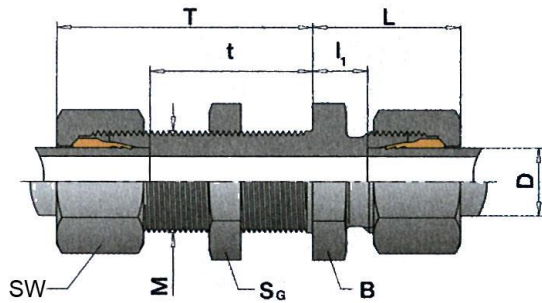
Artikel Nr.	Ident Nr.	PN	Ø D mm	Gewinde	i mm	SW mm	B mm	A mm	L mm	I ₁ mm
ES 110	112429	100	4	R 1/8	8,0	10	7,0	17,0	21,0	11,0
ES 112	112430	315	6	R 1/8	8,0	14	12,0	20,0	27,0	12,0
ES 113	112431	315	8	R 1/8	8,0	17	12,0	24,0	32,2	14,0
ES 116	112432	315	6	R 1/4	11,0	14	12,0	24,0	30,4	13,0
ES 117	112433	315	8	R 1/4	12,0	17	12,0	26,0	29,0	14,0
ES 118	112434	315	10	R 1/4	12,0	19	14,0	27,0	30,0	15,0



ES 136

T-Verschraubung

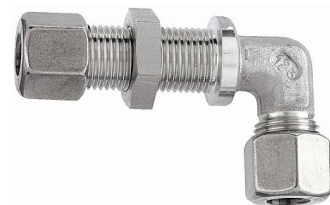
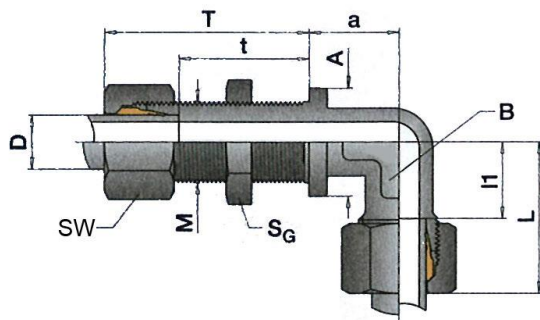
Artikel Nr.	Ident Nr.	PN	Ø D mm	SW mm	B mm	L mm	I ₁ mm
ES 132	112435	100	6	12	9,0	21,0	9,5
ES 133	112436	100	8	14	12,0	23,0	11,5
ES 135	112437	315	6	14	12,0	27,0	12,0
ES 136	112438	315	8	17	12,0	29,0	14,0
ES 137	112439	315	10	19	14,0	30,0	15,0
ES 138	112440	315	12	22	17,0	32,0	17,0
ES 139	112441	315	15	27	19,0	36,0	21,0
ES 140	112442	315	18	32	24,0	40,0	23,5



ES 171

Gerade Schottverschraubungen

Artikel Nr.	Ident Nr.	PN	Ø D mm	Gewinde	SW mm	S _G mm	B mm	L mm	l ₁ mm	T mm	t mm
ES 170	112443	315	6	M12x1,5	14	17	17,0	22,0	7,0	42,0	27,0
ES 171	112444	315	8	M14x1,5	17	19	19,0	23,0	8,0	42,0	27,0
ES 172	112445	315	10	M16x1,5	19	22	22,0	25,0	10,0	43,0	28,0
ES 173	112446	315	12	M18x1,5	22	24	24,0	25,0	10,0	44,0	29,0
ES 174	112447	315	15	M22x1,5	27	30	27,0	27,0	12,0	46,0	31,0
ES 175	112448	315	18	M26x1,5	32	36	32,0	30,0	13,5	49,0	32,5
ES 176	112449	160	22	M30x2,0	36	41	36,0	33,0	16,5	51,0	34,5

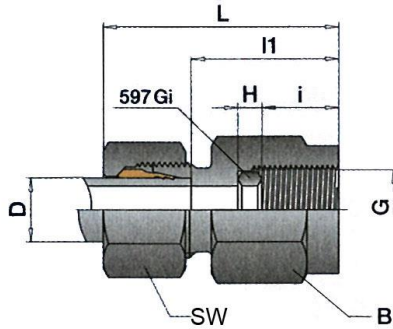


ES 181

Winkel-Schottverschraubungen

Artikel Nr.	Ident Nr.	PN	Ø D mm	Gewinde	SW mm	S _G mm	B mm	A mm	a mm	L mm	l ₁ mm	T mm	t mm
ES 180	112450	315	6	M12x1,5	14	17	12,0	17,0	14,0	27,0	12,0	42,0	27,0
ES 181	112451	315	8	M14x1,5	17	19	12,0	19,0	17,0	29,0	14,0	42,0	27,0
ES 182	112452	315	10	M16x1,5	19	22	14,0	22,0	18,0	30,0	15,0	43,0	28,0
ES 183	112453	315	12	M18x1,5	22	24	17,0	24,0	20,0	32,0	17,0	44,0	29,0

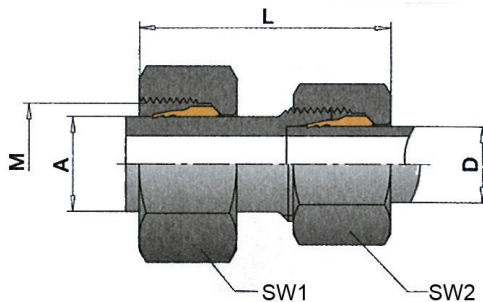
ES 184	112454	315	15	M22x1,5	27	30	19,0	27,0	23,0	36,0	21,0	46,0	31,0
ES 185	112455	315	18	M26x1,5	32	36	24,0	32,0	24,0	40,0	23,5	49,0	32,5
ES 186	112456	160	22	M30x2,0	36	41	27,0	36,0	30,0	44,0	27,5	51,0	34,5



ES 201

Manometer-Anschlussverschraubungen, Innengewinde zylindrisch

Artikel Nr.	Ident Nr.	PN	Ø D mm	Gewinde	i mm	H mm	SS mm	B mm	L mm	l ₁ mm
ES 200	112457	315	6	G 1/4	14,5	4,5	14	19,0	37,0	22,0
ES 201	112458	315	8	G 1/4	14,5	4,5	17	19,0	37,0	22,0
ES 202	112459	315	10	G 1/4	14,5	4,5	19	19,0	38,0	23,0
ES 203	112460	315	12	G 1/4	14,5	4,5	22	19,0	38,0	23,0
ES 205	112461	630	6	G 1/2	20,0	5,0	17	27,0	46,0	31,0
ES 206	112462	630	8	G 1/2	20,0	5,0	19	27,0	46,0	31,0
ES 207	112463	630	10	G 1/2	20,0	5,0	22	27,0	47,0	30,5
ES 208	112464	630	12	G 1/2	20,0	5,0	24	27,0	47,0	30,5

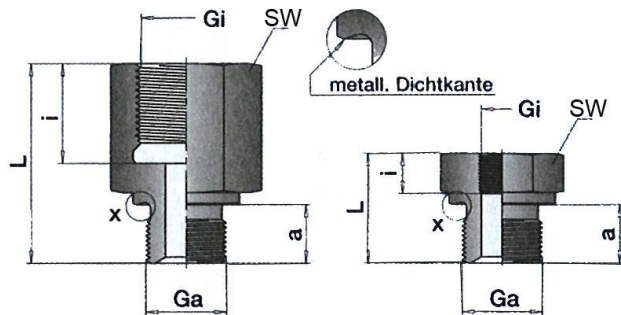


ES 214

Reduzierungen

Artikel Nr.	Ident Nr.	PN	Zapfen A mm	Muffen D mm	Gewinde	SW1 mm	SW2 mm	L mm
ES 210	112475	315	8	6	M14x1,5	17	14	38,0
ES 211	112476	315	10	6	M16x1,5	19	14	38,0
ES 212	112477	315	10	8	M16x1,5	19	17	38,0
ES 213	112478	315	12	6	M18x1,5	22	14	38,0
ES 214	112479	315	12	8	M18x1,5	22	17	38,0
ES 215	112480	315	12	10	M18x1,5	22	19	39,0
ES 216	112481	315	15	6	M22x1,5	27	14	38,0
ES 217	112482	315	15	8	M22x1,5	27	17	38,0
ES 218	112483	315	15	10	M22x1,5	27	19	39,0
ES 219	112484	315	15	12	M22x1,5	27	22	39,0
ES 220	112485	315	18	6	M26x1,5	32	14	39,0

ES 221	112486	315	18	8	M26x1,5	32	17	39,0
ES 222	112487	315	18	10	M26x1,5	32	19	40,0
ES 223	112488	315	18	12	M26x1,5	32	22	40,0
ES 224	112489	315	18	15	M26x1,5	32	27	42,0



ES 301



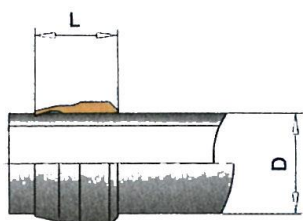
ES 311

Lange Wechselreduzierungen

Artikel Nr.	Ident Nr.	Gewinde Ga	a mm	Gewinde Gi	i mm	SW mm	L mm	PN
ES 300	112490	G 1/4	12,0	G 1/8	11,0	19	28,0	630
ES 301	112491	G 3/8	12,0	G 1/4	18,0	22	36,0	630
ES 302	112492	G 1/2	14,0	G 3/8	16,0	27	36,0	400
ES 303	112493	G 3/4	16,0	G 1/2	20,0	32	41,0	400

Kurze Wechselreduzierungen

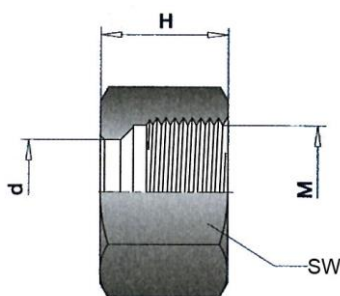
Artikel Nr.	Ident Nr.	Gewinde Ga	a mm	Gewinde Gi	i mm	SW mm	L mm	PN
ES 310	112494	G 3/8	12,0	G 1/8	8,0	22	22,5	630
ES 311	112495	G 1/2	14,0	G 1/4	12,0	27	24,0	400
ES 312	112496	G 3/4	16,0	G 1/4	12,0	32	26,0	400
ES 313	112497	G 3/4	16,0	G 3/8	12,0	32	26,0	400
ES 314	112498	G 1	18,0	G 1/2	14,0	41	29,0	400
ES 315	112499	G 1 1/4	20,0	G 3/4	16,0	50	32,0	250
ES 316	112500	G 1 1/2	22,0	G 3/4	16,0	55	36,0	250
ES 317	112501	G 1 1/2	22,0	G 1	18,0	55	36,0	250



ES 361

Schneidringe

Artikel Nr.	Ident Nr.	PN	Ø D mm	L mm
ES 350	112465	100	4	6,0
ES 352	112466	100	6	7,0
ES 353	112467	100	8	7,0
ES 360	112468	250	6	9,5
ES 361	112469	250	8	9,5
ES 362	112470	250	10	10,0
ES 363	112471	250	12	10,0
ES 364	112472	250	15	10,0
ES 365	112473	315	18	10,5
ES 366	112474	160	22	10,5



ES 406

Überwurfmuttern

Artikel Nr.	Ident Nr.	PN	Ø d mm	Gewinde	SW mm	H mm
ES 400	112502	100	4	M8x1,0	10	11,0
ES 402	112503	100	6	M10x1,0	12	11,5
ES 403	112504	100	8	M12x1,0	14	12,0
ES 405	112505	315	6	M12x1,5	14	14,5
ES 406	112506	315	8	M14x1,5	17	14,5
ES 407	112507	315	10	M16x1,5	19	15,5

ES 408	112508	315	12	M18x1,5	22	15,5
ES 409	112509	315	15	M22x1,5	27	17,0
ES 410	112510	315	18	M26x1,5	32	18,0
ES 411	112511	160	22	M30x2,0	36	20,0