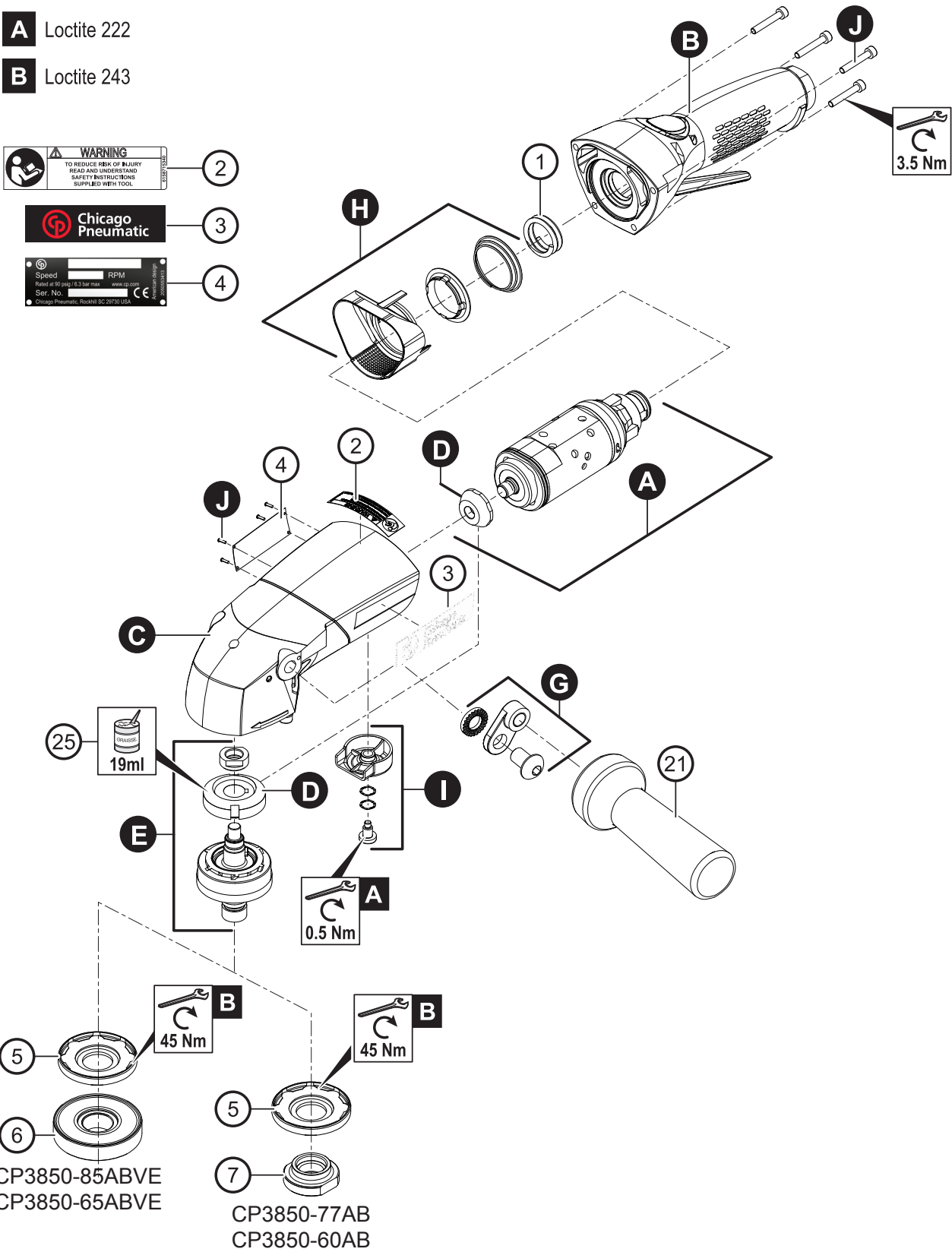


A Loctite 222

B Loctite 243

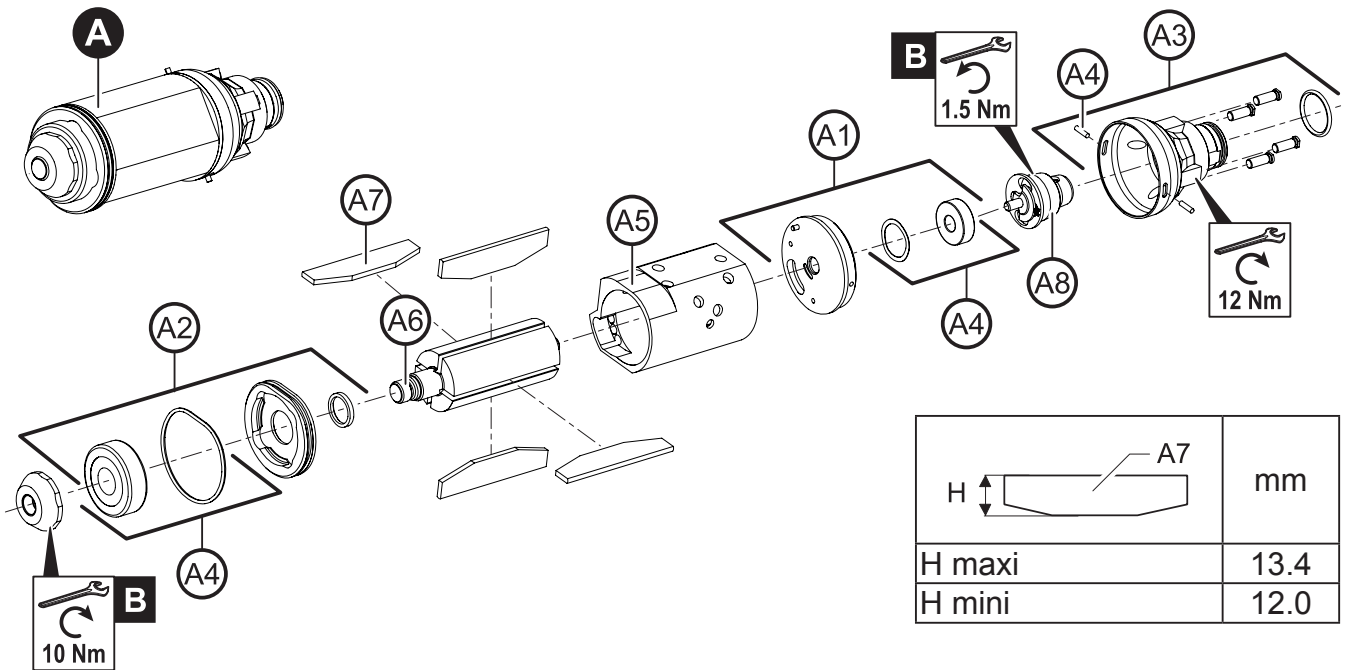


CP3850-85ABVE
CP3850-65ABVE

CP3850-77AB
CP3850-60AB

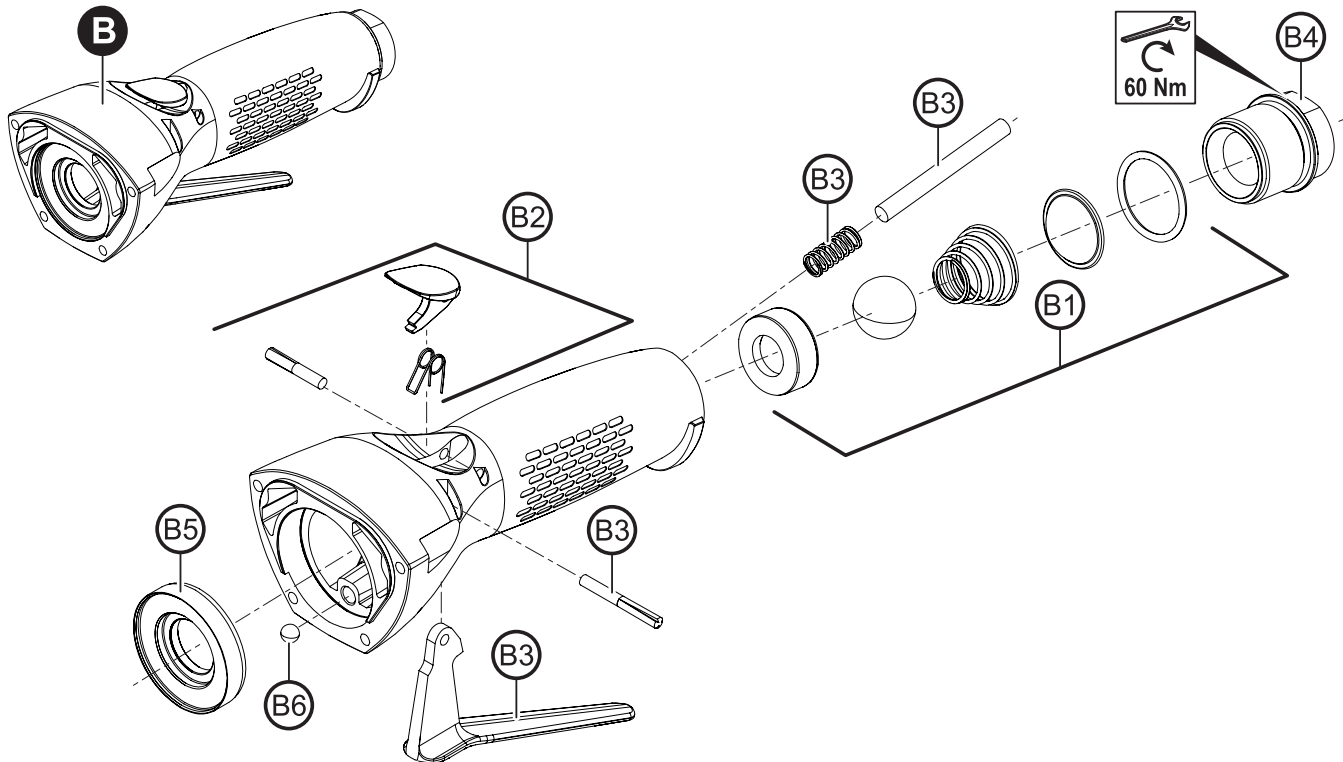


Item	Description	Part No					Wear		
			CP3850-85ABVE	CP3850-65ABVE	CP3850-77AB	CP3850-60AB	High	Medium	Low
1	Spring cylindrical	6156811670	1	1	1	1			X
2	Warning label	6158715340	1	1	1	1			X
3	CP plate	2050553403	1	1	1	1			X
4	Name plate	2050553413	1	1	1	1			X
5	Ring screw	6156731760	1	1	1	1			X
6	Autobalancer	6159901950	1	1					X
7	Rear flange	6155031070			1	1			X
21	Vibration-damping side handle	6155760660	1	1	1	1			X
A	Motor kits	-						X	
B	Handle kits	-							X
C	Housing kits	-							X
D	Bevel gear paired kits	-					X		
E	Spindle kits	-							X
F	Guard kits	-							X
G	Miscellaneous kits	-							X
H	Valve kit	-					X		
J	Rotating exhaust kit	-							X
K	Screw kit	-							X

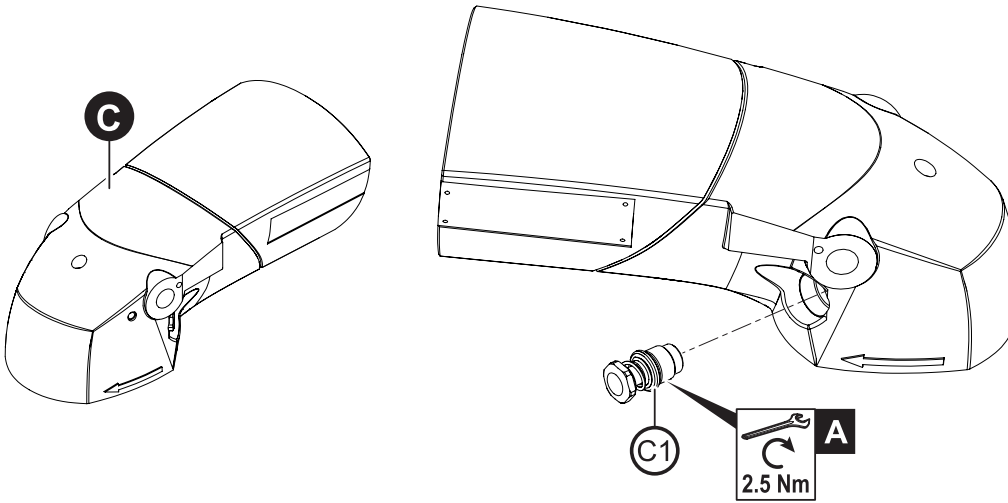
MOTOR KITS
B Loctite 243


Item	Description	Part No					Wear		
			CP3850-85ABVE	CP3850-65ABVE	CP3850-77AB	CP3850-60AB	High	Medium	Low
A	Motor complete 8500 rpm	6153942825	1					X	
A	Motor complete 7700 rpm	6153942815			1			X	
A	Motor complete 6500 rpm	6153942805		1				X	
A	Motor complete 6000 rpm	6153942795				1		X	
A8	Governor 15K	6154570570	1			1		X	
A8	Governor 14K	6154570560			1			X	
A8	Governor 16K	6154570580		1				X	

Item	Description	Part No	Qty	High	Medium	Low
				Wear		
A1	Rear end plate kit	6153977315	1			
	Rear end plate	-	1		X	
	Shaft	-	1			X
	Valve	-	1			X
	Screw	-	2			X
	Needle 2x8	-	1			X
	O-Ring 19.1x1.6	-	1		X	
	Waved washer	-	1			X
	Ball bearing	-	1	X		
A2	Front end plate kit	6153977325	1			
	Front end plate	-	1		X	
	Spacer	-	1			X
	Ball bearing	-	1	X		
	O-Ring 35.1x1.6	-	1			X
A3	Governor housing kit	6153977335	1			
	Pin Spirol 2x8	-	2			X
	O-Ring 15.6x1.78	-	1			X
	Governor housing	-	1			X
	Piston	-	4			X
A4	Motor service kit	2050553543	1			
A7	Kit 4 blades	6154340665	1	X		
	Waved washer	-	1			X
	Ball bearing	-	1		X	
	Ball bearing	-	1		X	
	O-Ring 35.1x1.6	-	1			X
	Pin Spirol 2x8	-	2			X
	O-Ring 15.6x1.78	-	1			X
A5	Cylinder	6154001550	1			X
A6	Rotor	6154261310	1			X
A7	Kit 4 blades	6154340665	1			
	Blade	-	4	X		

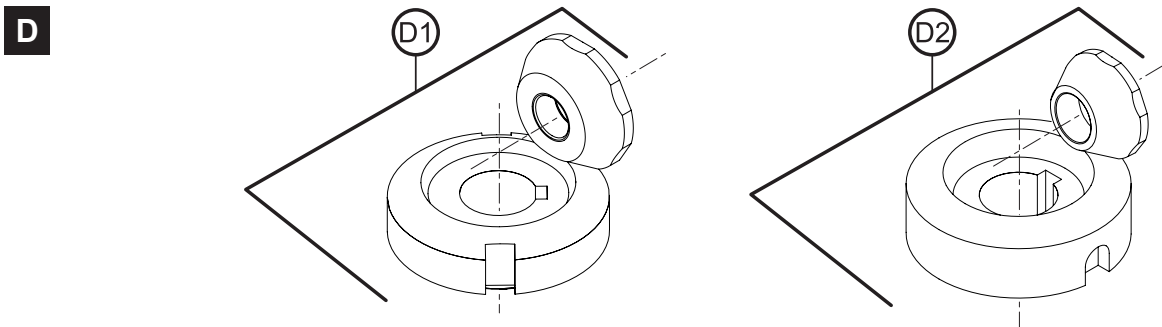
HANDLE KITS


Item	Description	Part No	Qty	Wear		
				High	Medium	Low
B	Handle complete	6153900575	1			X
B1	Inlet kit	6153977355	1			
	Spring conical	-	1			X
	Ball 021	-	1			X
	O-Ring 25x2.5	-	1		X	
	Ball seat	-	1			X
	Screen	-	1			X
B2	Latch lever kit	6153977365	1			
	Latch lever	-	1			X
	Latch lever spring	-	1			X
	Grooved pin 4x26 G02	-	1			X
B3	Lever kit	6153977375	1			
	Lever	-	1			X
	Needle 6x59.8	-	1			X
	Grooved pin 4x36 G02	-	1			X
	Spring cylindrical	-	1			X
B4	Bushing inlet 1/2NPT	6157460740	1			X
B5	Inlet bushing	6157301910	1			X
B6	Ball Ø8	466703	1			X

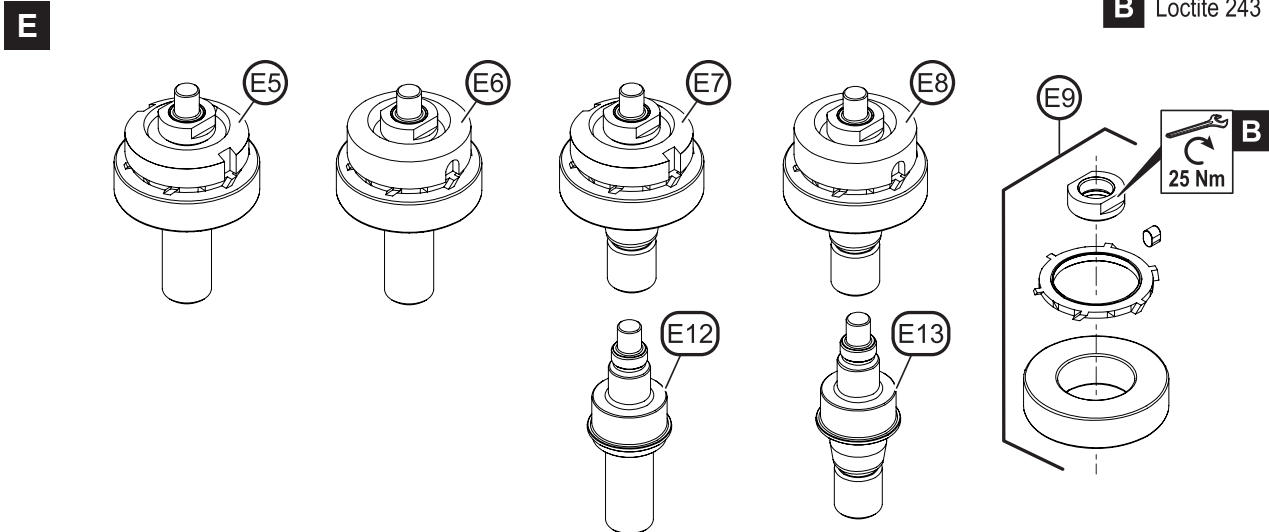
HOUSING KITS
A Loctite 222


Item	Description	Part No	Qty
C	Housing complete	6153932905	1
C1	Stopfinger complete	6153974060	1

	High	Medium	Low
Wear			X
			X

BEVEL GEAR PAIRED KITS


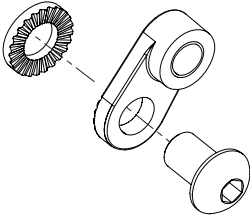
Item	Description	Part No					High	Medium	Low
			CP3850-85ABVE	CP3850-65ABVE	CP3850-77AB	CP3850-60AB			
D1	Bevel gear paired kit 1	6153977395	1		1				
	Pinion	-	1		1		X		
	Bevel gear	-	1		1		X		
D2	Bevel gear paired kit 2	6153977405		1		1			
	Pinion	-		1		1	X		
	Bevel gear	-		1		1	X		

SPINDLE KITS


Item	Description	Part No					Wear		
			CP3850-85ABVE	CP3850-65ABVE	CP3850-77AB	CP3850-60AB	High	Medium	Low
E5	Spindle 5/8" 7700 rpm	6153977215			1			X	
E6	Spindle 5/8" 6000 rpm	6153977225				1		X	
E7	Spindle 5/8" 8500 rpm	6153977235	1					X	
E8	Spindle 5/8" 6500 rpm	6153977245		1				X	
E9	Spindle service kit	2050553553	1	1	1	1			
	Ball bearing	-	1	1	1	1	X		
	Parallel key 4x4x6xh9	-	1	1	1	1		X	
	Locking nut	-	1	1	1	1		X	
	Grease deflector	-	1	1	1	1		X	
E12	Spindle 5/8" US	6155011300			1	1		X	
E13	Spindle 5/8" for autobalancer	6155011310	1	1				X	

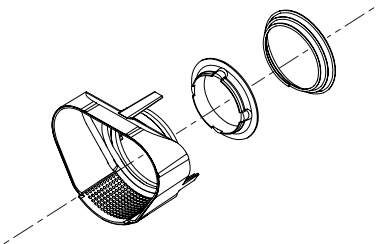
MISCELLANEOUS KITS

G



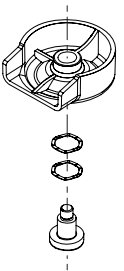
Item	Description	Part No					Wear		
			CP3850-85ABVE	CP3850-65ABVE	CP3850-77AB	CP3850-60AB	High	Medium	Low
G	Rotating handle support kit	6153977415	1	1	1	1			
	Screw hex button M10x16	-	1	1	1	1			X
	Handle bracket	-	1	1	1	1		X	
	Rotating spacer	-	1	1	1	1			X

H



Item	Description	Part No					Wear		
			CP3850-85ABVE	CP3850-65ABVE	CP3850-77AB	CP3850-60AB	High	Medium	Low
H	Valve kit	6153977425	1	1	1	1			
	Partition	-	1	1	1	1			X
	Valve	-	1	1	1	1		X	
	Spring conical	-	1	1	1	1			X

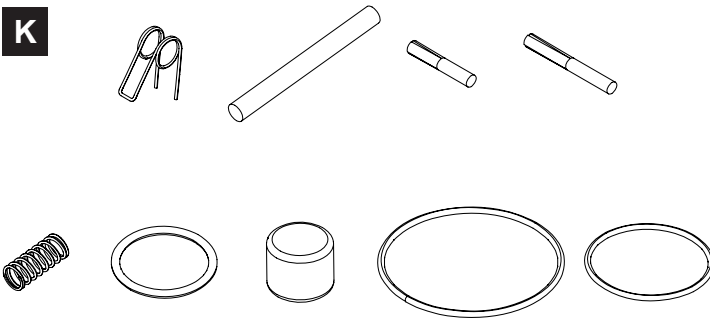
I



Item	Description	Part No					Wear		
			CP3850-85ABVE	CP3850-65ABVE	CP3850-77AB	CP3850-60AB	High	Medium	Low
I	Rotating exhaust kit	6153977435	1	1	1	1			
	Rotating exhaust	-	1	1	1	1			X
	Washer head screw	-	1	1	1	1			X
	M4 Washer curved spring	-	2	2	2	2			X



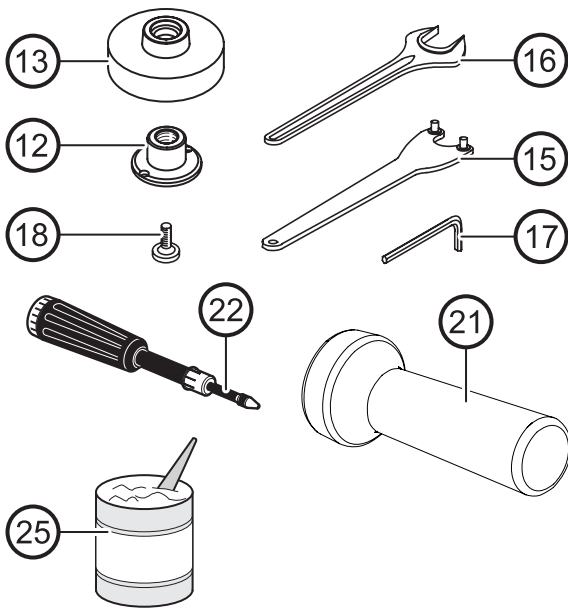
Item	Description	Part No					Wear		
			CP3850-85ABVE	CP3850-65ABVE	CP3850-77AB	CP3850-60AB	High	Medium	Low
J	Screw kit	6153977445	1	1	1	1			
	Screw hex head cap M4x25	-	4	4	4	4			X
	Drive screw	-	4	4	4	4			X
	Screw hex head cap M5x12	-	4	4	4	4			X



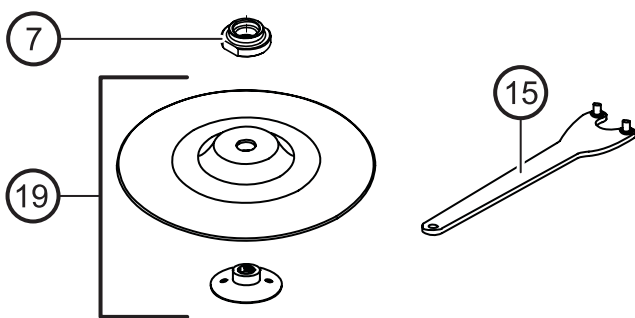
Item	Description	Part No					Wear		
			CP3850-85ABVE	CP3850-65ABVE	CP3850-77AB	CP3850-60AB	High	Medium	Low
K	Global service kit	2050553433	1	1	1	1			
	Latch Lever Spring	-	1	1	1	1			X
	Needle 6x59.8	-	1	1	1	1			X
	Grooved pin 4x26 G02	-	1	1	1	1			X
	Grooved pin 4x36 G02	-	1	1	1	1			X
	O-Ring 25x2.5	-	1	1	1	1		X	
	Spring cylindrical	-	1	1	1	1			X
	-Ring 47.35x1.78	-	1	1	1	1		X	
	O-Ring 32.1x1.6	-	1	1	1	1		X	
	Needle bearing	-	1	1	1	1		X	

INCLUDED ACCESSORIES

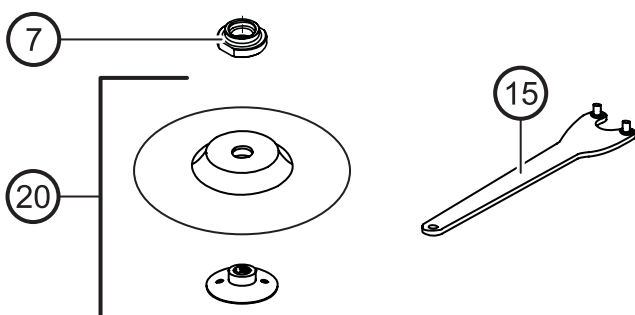
Item	Description	Part No
21	Dead Handle	6155760660
	Nipple 1/2"BSP x 16Dia	6157040140

OPTIONAL ACCESSORIES


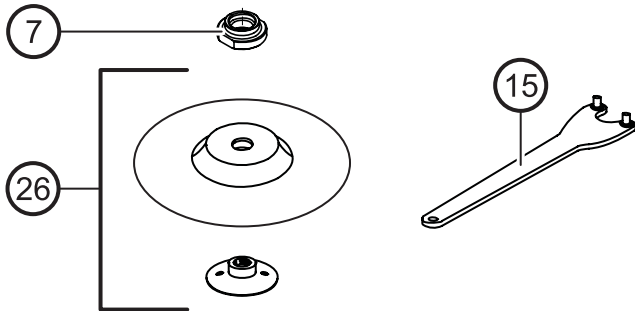
Item	Description	Part No
12	Nut	6155421040
13	Rear flange balancer	6155031460
15	Pin spanner 35mm	6158020100
16	Spanner flat	6158010770
17	Hexagon wrench 6mm	6158020560
18	Safety screw	6156140340
21	Vibration-damping side handle	6155760660
22	Grease gun	6159901490
25	Grease for bevel gear (1Kg)	6159901480

CP3850-65ABVE / CP3850-60AB


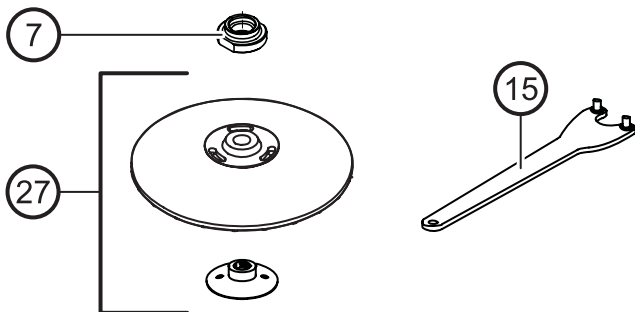
Item	Description	Part No
7	Rear flange	6155031070
15	Pin spanner 35mm	6158020100
19	Pad 9" (230mm) kit	6159901410

CP3850-85ABVE / CP3850-77AB


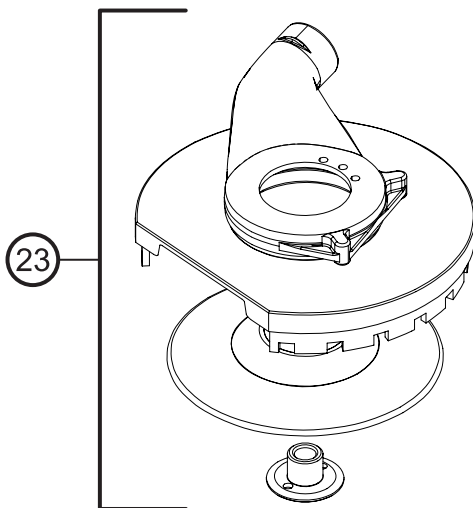
Item	Description	Part No
7	Rear flange	6155031070
15	Pin spanner 35mm	6158020100
20	Pad 7" (180mm) kit	6159901330

CP3850-85ABVE / CP3850-77AB


Item	Description	Part No
7	Rear flange	6155031070
15	Pin spanner 35mm	6158020100
26	Rigid Pad 7" (180mm)	6159901340

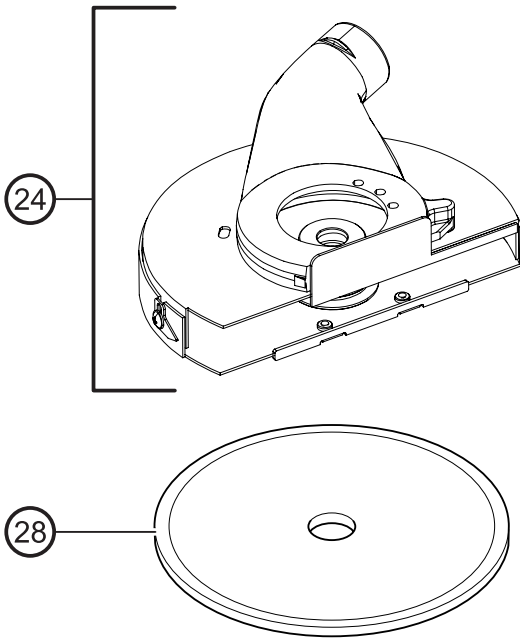
CP3850-77AB


Item	Description	Part No
7	Rear flange	6155031070
15	Pin spanner 35mm	6158020100
27	SpiracoolPad7"(180mm)	S091836

CP3850-85ABVE / CP3850-65ABVE / CP3850-77AB / CP3850-60AB


Item	Description	Part No
23	Dust extract kit CP3850 180mm (7")	2050553563
	Manifold CP3850 with screws	6155042190
	Push fit hood with brush	6155702310
	Spacer 9mm	6156430930
	Spacer 6mm hole 16mm	6156430910
	Backing pad 180mm	6159902000
	Flange nut 5/8 H16	6156060470
	Pin key	6158020670

CP3850-85ABVE / CP3850-65ABVE / CP3850-77AB / CP3850-60AB



Item	Description	Part No
24	Dust extract kit CP3850 cutting	2050553573
	Manifold CP3850 cutting with	6155042200
	Gable cover plate complete	6155042210
	Spacer 25mm hole 16mm	6156430900
	Flange nut 5/8 H21	6156060480
	Pin key	6158020670
	Diamond cutter blade 180mm	6158111450

Spare parts without part number are not sold separately

2050556673 Rev03