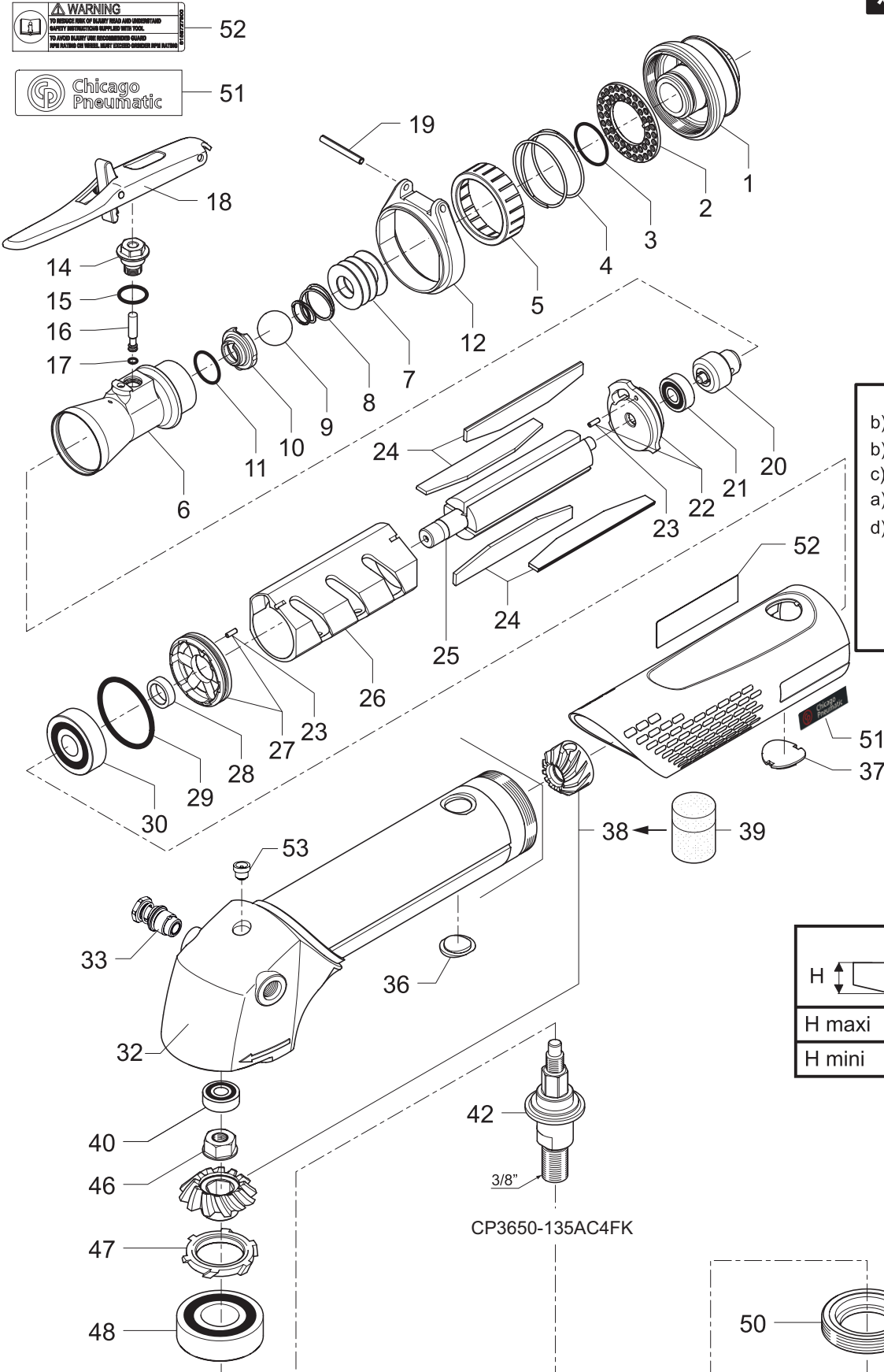


WARNING
TO REDUCE RISK OF INJURY READ AND UNDERSTAND
SAFETY INSTRUCTIONS SUPPLIED WITH TOOL.
POUR RÉDUIRE LES RISQUES DE BLESSURES LIRE ET
COMPRENDRE LES INSTRUCTIONS DE SÉCURITÉ
FURNIES AVEC L'OUTIL.

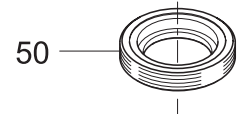
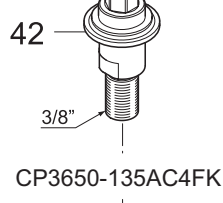


***** Tightening direction
Sens de serrage
Sentido de apriete
Anziehrichtung
Senso di serraggio
Sentido de aperto
Kirstyssuunta
Åtdragningsriktning
Tilstrammingsretning
Tilspændingsretning
Schroefrichtung
Φορά σύσφιξης
上紧方向
Meghúzás iránya
Pievilksanas virziens
Kierunek dokręcania
Směr utahování
Smer utahovania
Smer zatesnjevanja
Sukimo kryptis
Направление затяжки

	*	
b) 50 / 32		60 Nm
b) 33 / 32		3 Nm
c) 20 / 25		2 Nm
a) 13 / 6		3 Nm
d) 1 / 32		30 Nm
46 / 41		30 Nm
46 / 42		30 Nm
46 / 43		30 Nm
38 / 25		30 Nm

a) : "Loctite 222"
b) : "Loctite 243"
c) : "Loctite 641"
d) : "Loctite 270"

H	mm
H maxi	10.85
H mini	9.8



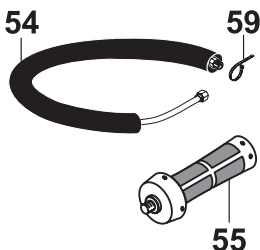
	rpm
CP3650-135AC4FK	13500

Index No.	Part No.	Description	Qty.	Index No.	Part No.	Description	Qty.
A	2050556023	Silencer Kit		H	399.480	Bevel Gear paired set	
2		Silencer	1	38		Bevel gear	1
3		O-Ring	1	39	396.001	Grease Kit - 5g	1
4		Spring Cylindrical		I	2050556083	Output Bearing Kit	
5		Valve	1	40		Bearing	1
B	6153967360	Bushing Complete		46		Nut	1
14		Bushing	1	47		Deflectotr	1
15		O-Ring	1	48		Bearing	1
16		Pin	1	J	2050556073	Motor Bearing Kit	1
17		O-Ring	1	30		Bearing	1
C	2050556033	Valve Kit		21		Bearing	1
8		Spring Conical	1	K	2050556013	Small parts kit	1
9		Ball	1	46		Nut	1
10		Valve seat	1	47		Deflector	1
11		O-Ring	1	23		Pin	1
D	2050556043	Rear Endplate Kit		19		Pin	1
21		Bearing	1	4		Spring Cylindrical	1
22		Rear Endplate	1				
E	2050556063	Blades Kit		1	6153967390	Adapter	1
24		Blade	4	7	6156452290	Disc Spring	1
F	2050556053	Front Endplate Kit		12	6155960040	Lever Bracket	1
27		Front Endplate	1	18	6153967350	Safety lever	1
28		Plate Spacer	1	20	6154570520	Governor 21K	1
29		O-Ring	1	25	6154261200	Rotor	1
30		Bearing	1	26	6154001480	Cylinder	1
G	6153933330	Housing Complete Kit 13500RPM		42	501.85	Shaft 3/8"	1
32		Housing	1	50	673.98	Plug	1
33		Stopfinger Complete	1	L	2050556003	Tune Up Kit	
53		Greaser	1	24	2050556063	Blade Kit	1
31		Insulator 13500RPM	1	3		O-Ring	1
37		External cover	1	11		O-Ring	1
51		Left side brand name plate	1	15		O-Ring	1
52		Warning label	1	17		O-Ring	1
36		Cover	1	29		O-Ring	1
1		Adaptater	1				
39	396.001	Grease Kit - 5g	1				
G		Housing					
32		Housing	1				
33		Stopfinger Complete	1				
53		Greaser	1				
31		Insulator 12000RPM CP3650-135AC4FK	1				
37		External cover	1				
51		Left side brand name plate	1				
52		Warning label	1				
36		Cover	1				
1		Adaptater	1				
39	396.001	Grease Kit - 5g	1				

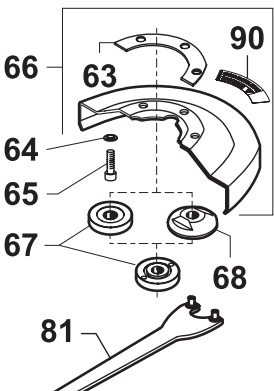


6159948760	SAFETY INSTRUCTIONS GRINDERS	2050554973 REV03 04/2012
2050554963	OPERATOR'S MANUAL	
2050554983	EC DECLARATION GRINDER	

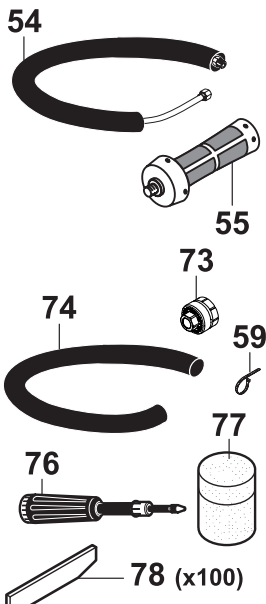
ACCESSORIES INCLUDED

CP3650-135AC4FK	Item	New part no	Qty	Description
	54	6153961660	1	Silencer kit (59)
	55	6155760660	1	Vibration-damping side handle
	59	6152630240	2	Hose clamp

Ø100 (4") : Depressed centre wheels, cut-off wheels and flap wheel

CP3650-135AC4FK	Item	New part no	Qty	Description
		399.482	1	Assembly kit (64-65-66-67-68-81)
	63	656.157	1	Gasket
	64	6156451420	2	Washer
	65	616.99	2	Screw
	66	6155041960	1	Guard 4" complete (90)
	67	6156065150	2	Flange
	68	6155035150	1	Rear flange
	81	6158020080	1	Pin wrench
	90	6158727910	1	Warning guard Label

OPTIONAL ACCESSORIES

Optional	Item	New part no	Qty	Description
	54	6153961660	1	Silencer kit
	55	6155760660	1	Vibration-damping side handle
	59	6152630240	1	Hose clamp
	73	6153969570	1	Clippable silencer
	74	6158751160	1	Reinforced cloth-lined exhaust hose L=30" (0.75m)
	76	6159901490	1	Grease gun include 24g
	77	6159901480	1	Grease for bevel gear (1kg)
	78	6154340640	1	Blades kit (x100)