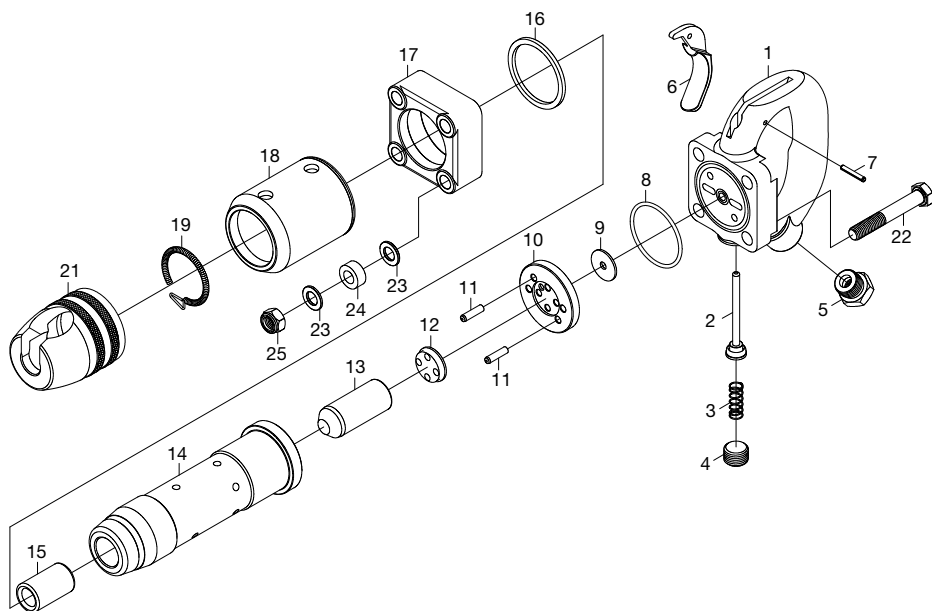


**FR PIÈCES DÉTACHÉES**  
**EN SPARE PARTS**
**MARTEAU BURINEUR PNEUMATIQUE**  
**AIR CHIPPING HAMMER**


Index	Description	Qty
1	Handle	1
2	Throttle Valve	1
3	Spring	1
4	Throttle Cap	1
5	Hose Adapter	1
6	Trigger	1
7	Sprung Pin (4x26L)	1
8	O Ring (d55.0xW3.0)	1
9	Valve	1
10	Valve Spacer	1

Index	Description	Qty
11	Valve Dowel	1
12	Bumper Valve Seat	1
13	Piston (2" Stroke)	1
13	Piston (3" Stroke)	1
13	Piston (4" Stroke)	1
14	Cylinder (2" Stroke)	1
14	Cylinder (3" Stroke)	1
14	Cylinder (7" Stroke)	1
15	Cylinder Bushing-Round (.680")	1
15	Cylinder Bushing-Hex (.580")	1

Index	Description	Qty
16	Lock Ring Bumper	1
17	Flange-Cylinder	1
18	Exhaust Deflector	1
19	Lock Spring	1
21	Hitch Cutter Retainer for 5202	1
22	Handle Bolt	4
23	Bumper Washer	8
24	Handle Bolt spacer	4
25	Handle Bolt Nut	4



PREVOST SAS  
C.S 90208 - 74942 ANNECY-LE-VIEUX CEDEX - France  
Tel. +33 (0)4 50 64 04 45 - Fax. +33 (0)4 50 64 00 10  
sales@prevost.eu - www.prevost.eu