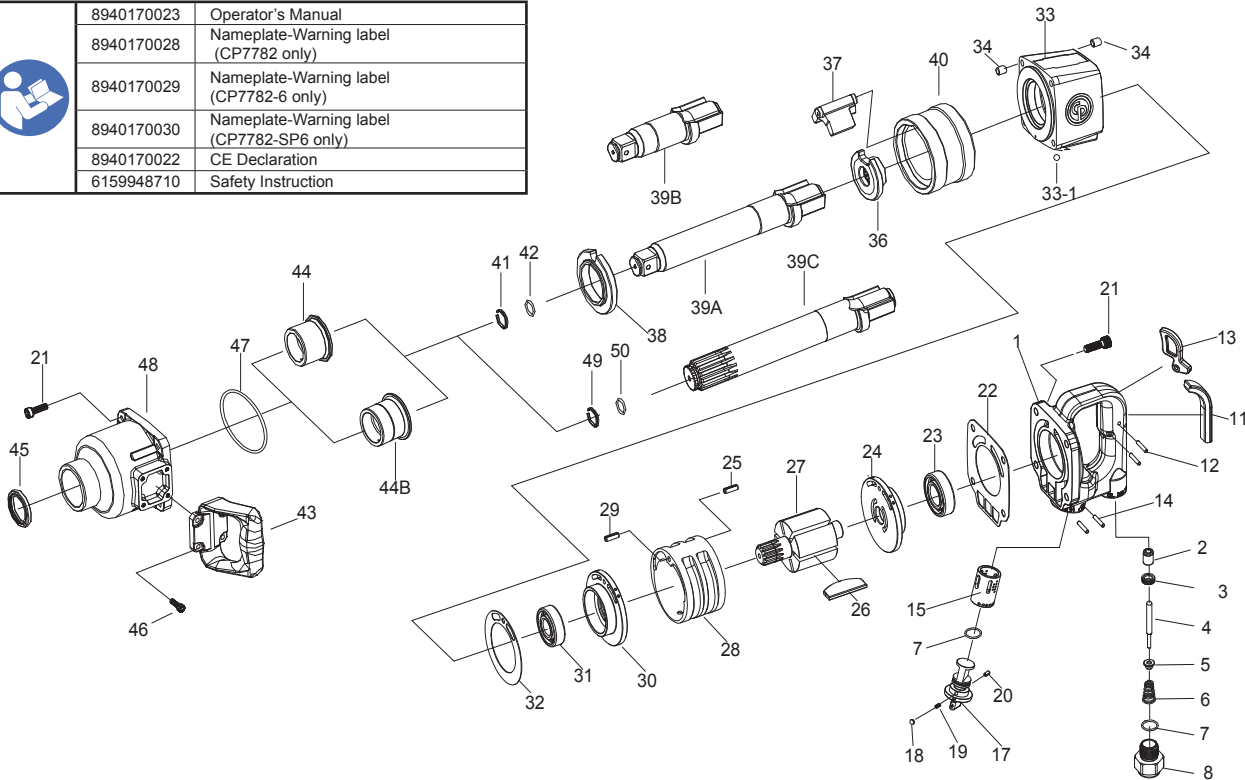
	8940170023	Operator's Manual
	8940170028	Nameplate-Warning label (CP7782 only)
	8940170029	Nameplate-Warning label (CP7782-6 only)
	8940170030	Nameplate-Warning label (CP7782-SP6 only)
	8940170022	CE Declaration
	6159948710	Safety Instruction



Item	Part No.	Description	Qty.
26	8950221442	Rotor Blade (Set of 6)	1
26	8940175062	Rotor Blade Composite (Set of 6)	1
27	8950221116	Rotor	1
28	8950221117	Cylinder	1
36	8940162187	Cam	1
37	8940162188	Hammer	1
38	8950240210	Anvil Spacer	1
40	8950240207	Hammer Cage	1
41	8940170031	Clutch Housing Bumper	1
A	8940169474	Handle Frame Complete	
01		Handle Frame	1
02		Valve Bushing	1
03		Valve Seat	1
04		Valve Stem	1
05		Valve	1
06		Spring	1
07		O-Ring	2
08		Air Inlet	1
11		Protection Rubber	1
12		Pin	2
13		Throttle Lever	1
14		Spring Pin	2
15		Reverse Bushing	1
17		Reverse Valve	1
18		Steel Ball	1
19		Spring	1
20		Spring Pin	1
21		Screw	4
22		Gasket	1
A1	8950212146	Valve Kit	
		Include 02, 03, 04, 05, 06, 07(x2) & 08	
A2	8940169475	Reverse Valve Kit	
		Include 07, 14 (x2), 15, 17, 18, 19 & 20	
A3	8950212148	Trigger Kit	
		Include 11, 12(x2) & 13	
B	8950221443	End Plate Kit	
23		Ball Bearing	1
24		End Plate	1
25		Spring Pin	1
BK	8950000141	Bearing Kit	
23		Ball Bearing	2
D	8950221446	Front End Plate Kit	
29		Spring Pin	1
30		End Plate	1
31		Ball Bearing	1
32		Gasket	1

Item	Part No.	Description	Qty.
E	8940169476	Motor Housing Complete	
33		Motor Housing	1
33-1		Steel Ball	4
34		Insert Recoil	8
47		O-Ring	1
F1	8950240466	Anvil Kit	
39B		Anvil 1"	1
41		Anvil Collar 1"	1
42		O-Ring	1
F2	8950240467	Anvil Kit Extended	
39A		Anvil 1" Extended	1
41		Anvil Collar 1"	1
42		O-Ring	1
F3	8940169477	Anvil Kit Spline	
39C		Anvil 1" Spline	1
41		Socket Retainer	1
F4	8950251282	Anvil Collar Kit (Set of 5)	
41		Anvil Collar 1"	5
42		O-Ring	5
F5	8940169483	Anvil Spline Collar Kit (Set of 5)	
49		Anvil Spline Collar 1"	5
50		O-Ring	5
G	8940169478	Hammer Case Complete (CP7782, CP7782-6)	
21		Screw	4
44		Anvil Bushing	1
45		Seal	1
48		Hammer Case	1
G	8940171496	Hammer Case Complete (CP7782-SP6)	
21		Screw	4
44B	8940171412	Anvil Bushing	1
45		Seal	1
48		Hammer Case	1
GK	8950280027	Gasket Kit	
22		Gasket	2
45		Seal	1
H	8940169845	Handle Complete	
43		Handle	1
46		Screw	4
SP	8950280029	Small Parts Kit	
		Include 12, 19, 20 (x2), 25, 29 & 44	
TK	8940169847	Tune Up Kit	
		Include 07 (x2), 14, 18, 20, 22, 26 & 32	
SK	8940171591	Screw Kit	
21		Screw	8
46		Screw	4

Recommended Accessories


Protecto-lube Oil (for air lubrication)
CA149661 (4 oz - 0.12 l)
CA000046 (20 oz - 0.59 l)



Airoilene Oil (to clean motor parts)
P089507 (1 gal - 3.8 l)